

Setpoint adjuster - EMG 30-SPK-10K LIN - 2942137

Please be informed that the data shown in this PDF Document is generated from our Online Catalog. Please find the complete data in the user's documentation. Our General Terms of Use for Downloads are valid (<http://download.phoenixcontact.com>)



Cascading setpoint value potentiometer, for selecting presettable setpoints via a 24 V control signal, resistance value 10 kΩ

The illustration shows version EMG 30-SPK- 1K LIN



Key commercial data

package_quantity	10
GTIN	4017918080624

Technical data

Dimensions

Width	30 mm
Height	75 mm
Depth	68 mm

Ambient conditions

Ambient temperature (operation)	0 °C ... 40 °C
---------------------------------	----------------

Input data

Potentiometer	10 kΩ
Resistance tolerance	±20 %
Potentiometer, current-carrying capacity	0.5 W
Nominal input voltage U_N	24 V ± 25%
Input current	20 mA
Typical response time	< 10 ms
Typical release time	< 10 ms
Protective circuit/component	Damping diode, polarity protection diode
Operating voltage display	Yes

Output data

Contact material	Fixed contacts: Silver palladium (AgPdAu), 3 μm hard gold-plated
Contact material	Mobile contacts: Silver palladium (AgPd)
Maximum switching voltage	10 V (depending on application)

Setpoint adjuster - EMG 30-SPK-10K LIN - 2942137

Technical data

Output data

Mechanical service life	> 2 x 10 ⁷ cycles
--------------------------------	------------------------------

Connection data

Conductor cross section solid min.	0.2 mm ²
Conductor cross section solid max.	4 mm ²
Conductor cross section stranded min.	0.2 mm ²
Conductor cross section stranded max.	2.5 mm ²
Conductor cross section AWG/kcmil min.	24
Conductor cross section AWG/kcmil max	12
Stripping length	8 mm
Screw thread	M3
Connection method	Screw connection

General

Test voltage relay winding/relay contact	1 kV AC
Mounting position	Any
Housing material	Polycarbonate fiber reinforced PC-F
Color	green

classifications

eCl@ss

eCl@ss 4.0	27200303
eCl@ss 4.1	27200303
eCl@ss 5.0	27200303
eCl@ss 5.1	27200303
eCl@ss 6.0	27200303
eCl@ss 7.0	27142316
eCl@ss 8.0	27142316

ETIM

ETIM 2.0	EC001440
ETIM 3.0	EC001440
ETIM 4.0	EC001440
ETIM 5.0	EC001440

UNSPSC

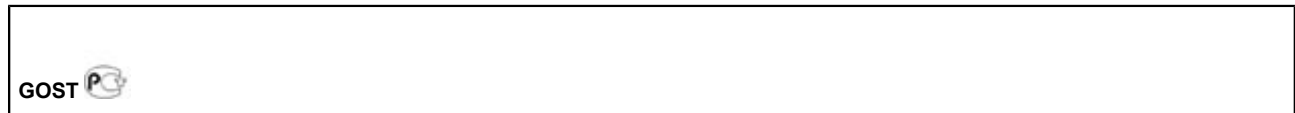
UNSPSC 6.01	30211506
UNSPSC 7.0901	39121008
UNSPSC 11	39121008
UNSPSC 12.01	39121008
UNSPSC 13.2	39121008

Setpoint adjuster - EMG 30-SPK-10K LIN - 2942137

approvals

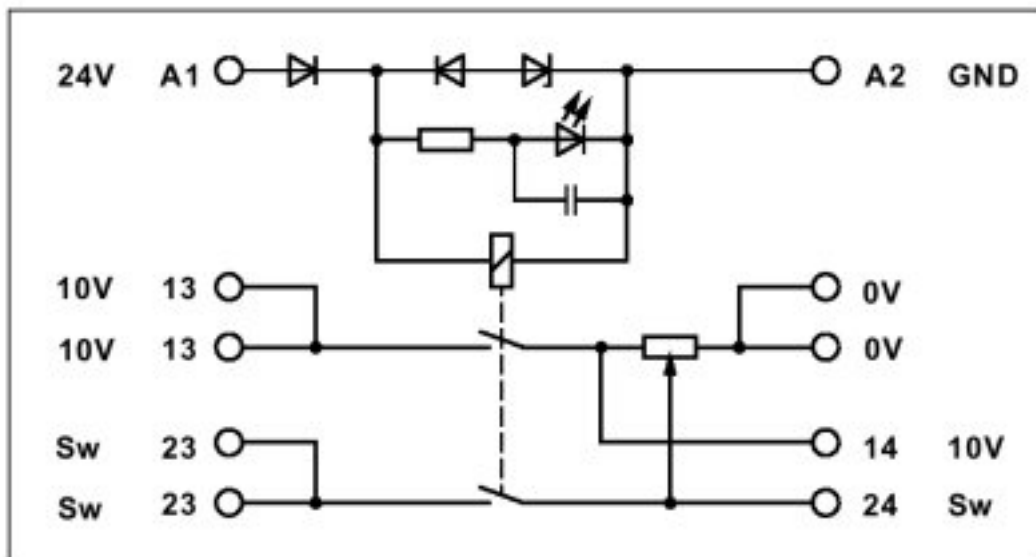
GOST /

Approval details



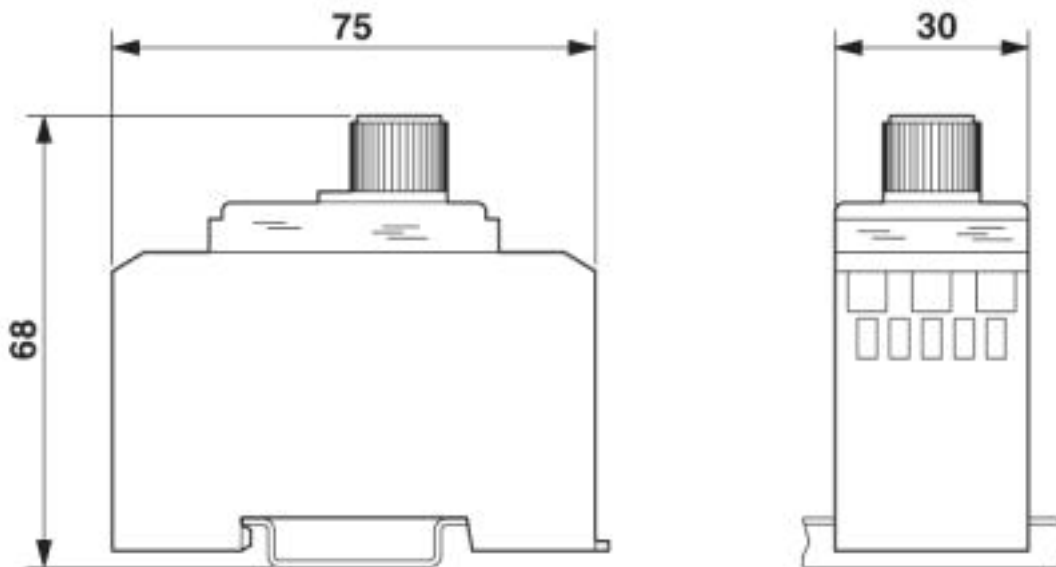
Drawings

Block diagram



Setpoint adjuster - EMG 30-SPK-10K LIN - 2942137

Dimensioned drawing



© Phoenix Contact 2013 - all rights reserved
<http://www.phoenixcontact.com>