

# Elma TT

## Logistik GmbH

Constructional data for isolating transformers and safety transformers:

1.3 Reference of type : PV/1-21698  
1.4 Trade mark : CONRAD  
1.5 Other markings : IZ 59 - Conrad Art. Nr. 514764  
1.6 Europe standard : EN 61558 - 2 - 6

2.1 Protection against electric shock : Non short.circuit proof  
2.2 Class of protection to IEC 529 : IP 00  
2.3 Type of construction (Isolating transformer, Transformer for toys) : Safety-isolating transformer  
2.4 Stationary Transformer : Stationary, to built-in transformer  
Portable Transformer :  
2.5 Protection against short-circuit according to Sub-clause  
inherently short-circuit proof :  
non-inherently short-circuit proof :  
non short-circuit proof : Non short-circuit proof  
fail safe  
(rated current of the cutout)  
2.6 Rated maximum ambient temperature :  $t_a$  40 °C  
2.7 Class : B Insulation : IEC 60 085 and IEC 60 216

### 3. Electrical values

		prim :	sec:
3.1 Rated voltage(s)	V :	230	10-12-15 / 10-12-15
3.2 Rated frequency	Hz :	50	
3.3 Rated current	A :	0,156	1,2 / 1,2
3.4 Rated output	VA :		36

### 4. Windings

4.1 Coil base, number : 1  
material : Duretan AKV 30 H – PA 6.6  
4.2 Material of layer insulation : Film poliestere 0.13 , classe B-130 - Teflex  
4.3 Windings, number : 1426 70+14+21 / 70+14+21  
material : Enoflex G1 – S180 Enoflex G1 – S180

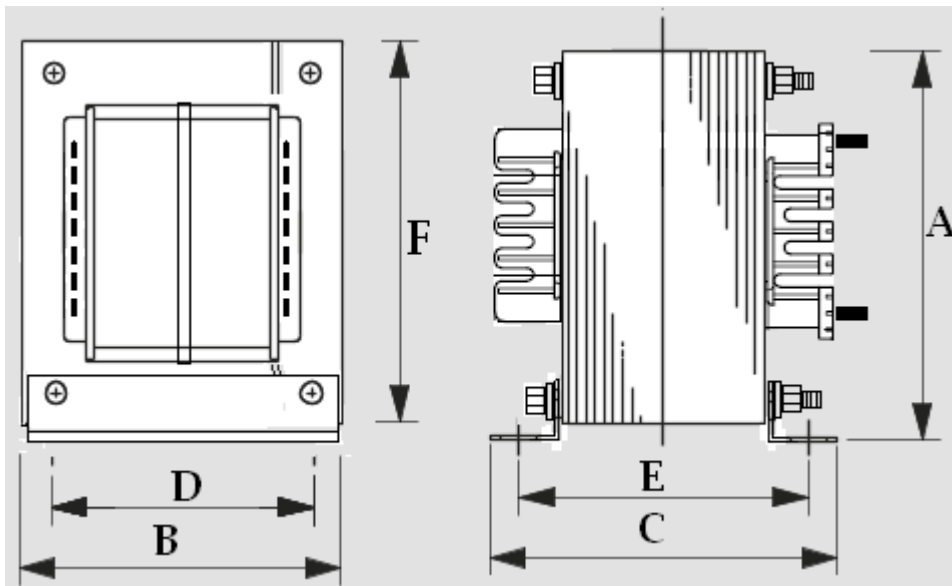
4.4 Diameter of wire (mm) : 0,2 0,5 / 0,5  
 4.5 Windings insulation, material : polyurethane polyamide polyurethane polyamide

## 5. Iron core

5.1 Sheet metall, material : EI 60 V 530 – 50  
 main dimensions : 60x50x30  
 5.2 Cross-sectional drawing : See specification of insulation materials

## 6. Type of construction

6.1 Open – Covered – In case protection : Open  
 6.2 Impregnated – Undrowned – Drowned : Impregnated  
 6.3 Soaking (liquor) :  
 6.4 Underpressure – Overpressure – Soaking at : Soaking  
 6.5 Drown material : 1K – Deatech Nr. 822.125



A(mm)	B(mm)	C(mm)	D(mm)	E(mm)	F(mm)	Weight (kg)
64,5	50	57	44	46	60	0,725

## 7. Label

**514 764**

**36VA / 1,2A**



**5 - 7 = 230V**

**3 - 8 = 10V    10 - 12 = 10V**

**2 - 8 = 12V    10 - 13 = 12V**

**1 - 8 = 15V    10 - 14 = 15V**

ELMA TT

13.01.2010