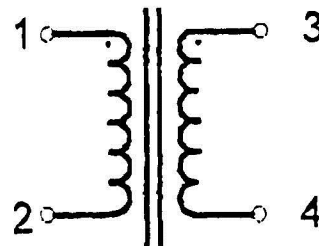
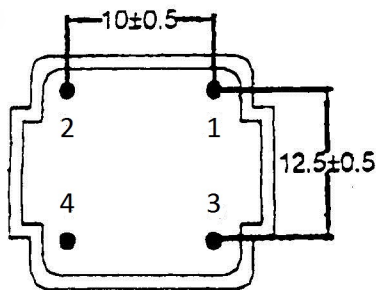
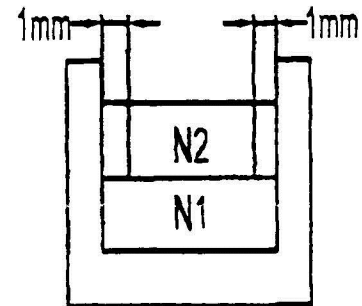
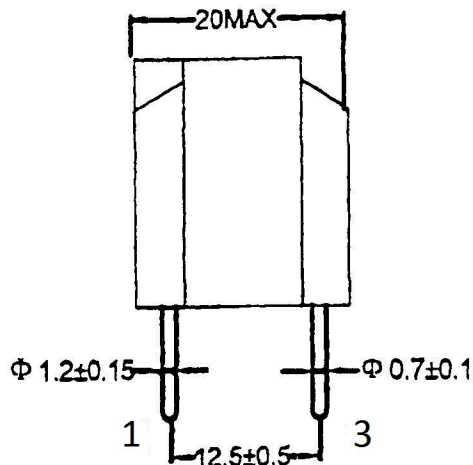
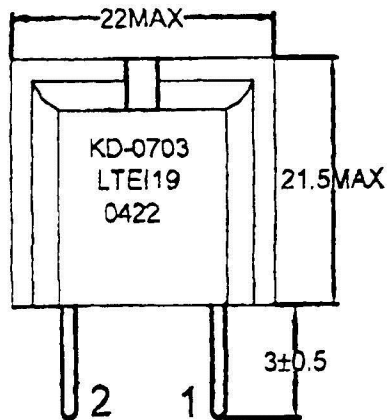


## OUTLINE DIMENSION (UNIT: mm) :



## ELECTRICAL CHARACTERISTIC:

NO.	ITEM	MEASUREMENT POINT	TECHNICAL DATA	REMARK
1	Output Load Voltage	V1-2	3.0V±5%	AT 20°C
2	Input Load Voltage	V3-4	24V	AT 20°C
3	DCR	R1-2	50 Ω MAX	AT 20°C
3	DCR	R3-4	300 Ω MAX	AT 20°C
4	HI-POT	P-S	4000Vac 5mA 3SEC	AT 20°C

## 出货检查报告 PSQA REPORT

CUSTOMER 客户		P/O NO. 订单号	07119626		QTY 批量	2500 PCS	
PRODUCT 产品名称	CURRENT TRANSFORMER	MODEL 型号	Encapsulated Transformer	温度	20°C	HUM. 湿度	52%
SAMPLING INSPECTION PLAN				400/02		检测设备  TESTING EQUIPMENT	
抽样计划							
按ANSI/ASQC Z1.4L 单次抽样计划之检验标准							
INSPECTION ITEMS 检验项目	AQL 抽样水准	DEFECT/SAMPLING 不良数/抽检数					
OUTPUT LOAD VOLTAGE	AQL 0.1 II 0 ACC 1 REJ	0		125		Digital meter	
DCR	AQL 0.1 II 0 ACC 1 REJ	0		125		SH502BC	
HI POT	AQL 0.065 II 0 ACC 1 REJ	0		200		CS2671A	
TEST ITEMS 测试项目	OUTPUT LOAD VOLTAGE	DCR		HI-POT			
TEST REQUIREMEN 测试条件	INPUT LOAD VOLTAGE V3-4 24V	R1-2	R3-4	P-5			
SPEC. 规格值	V1-2 3.0V±0.2	35 Ω MAX	200 Ω MAX	4000V±5%			
UPPER LIMIT 上限值	3.2V			5mA 3sec			
LOWER LIMIT 下限值	2.8V						
S A M P L E  N U M B E R  样 品 序 号	1	2.9	23.7	164.7	OK		
	2	3.0	23.7	164.2	OK		
	3	3.0	23.7	164.1	OK		
	4	3.1	23.6	163.9	OK		
	5	3.0	23.6	164.1	OK		
	6	3.0	23.7	164.2	OK		
	7	2.9	23.7	163.8	OK		
	8	2.9	23.6	164.8	OK		
	9	3.0	23.6	164.2	OK		
	10	3.1	23.5	163.8	OK		
X(平均值)	3.0	23.6	164.2				
R(公差)	0.2	0.2	1.0				
JUDGMENT RESULT 判定结果	ACC	ACC	ACC	ACC			
JUDGMENT 综合判定	ACC (接收)		<b>QA PASSED</b>	REJ (拒收)			
REMARKS 备注:							
INSPECTOR 检验者 H.Q.Fan	CHECKED 审核: 2007.12.07 Tang	APPROVED 批准: D. Y. Shuai					
DATE OF INSPECTION 检验日期	12-Dec-07		FORM NO. 表格编号	KD/QRG-23a			