

Uninterruptible power supply - QUINT-UPS/ 24DC/ 24DC/10/3.4AH - 2320267

Please be informed that the data shown in this PDF Document is generated from our Online Catalog. Please find the complete data in the user's documentation. Our General Terms of Use for Downloads are valid (<http://download.phoenixcontact.com>)



Product Features

- ✔ Easy handling thanks to automatic battery detection, tool-free battery replacement during operation, and communication via the IFS interface
- ✔ Reliable starting of difficult loads with the static POWER BOOST power reserve with up to 1.5 times the nominal current permanently
- ✔ Fast tripping of standard circuit breakers with SFB (selective fuse breaking) technology
- ✔ Device suitable for universal use thanks to comprehensive license package and extensive parameterization and diagnostics options



Key commercial data

package_quantity	1
GTIN	4046356554183

Technical data

Dimensions

Width	120 mm
Height	169 mm
Depth	125 mm

Ambient conditions

Degree of protection	IP20
Ambient temperature (operation)	0 °C ... 40 °C
Ambient temperature (storage/transport)	-15 °C ... 40 °C
Max. permissible relative humidity (operation)	≤ 95 % (25°C, no condensation)
Noise immunity	EN 61000-6-2:2005

Input data

Nominal input voltage	24 V DC
Input voltage range DC	18 V DC ... 30 V DC
Current consumption	18.6 A (24 V DC)
Current consumption	9.5 mA
Current consumption	3.6 A

Uninterruptible power supply - QUINT-UPS/ 24DC/ 24DC/10/3.4AH - 2320267

Technical data

Input data

Current consumption	14 A
Buffer period	180 min (1 A)
Buffer period	10 min (10 A)

Output data

Nominal output voltage	24 V DC
Output voltage range	18 V DC ... 30 V DC
Output current	10 A (-25 °C ... 60 °C)
Derating	60 °C ... 70 °C (2.5%/K)
Connection in series	No

General

IQ technology	Yes
Disposal	Used batteries must not be thrown away with household waste, they should instead be disposed of in accordance with applicable national regulations. They can also be returned to Phoenix Contact or the manufacturer.
Net weight	3.8 kg
Memory medium	Lead rechargeable battery module, 3.4 Ah
Efficiency	> 97.6 % (with charged power storage device)
Efficiency	96.41 %
Protection class	III
MTBF (IEC 61709, SN 29500)	> 806493 h (According to EN 29500)
Mounting position	horizontal DIN rail NS 35, EN 60715
Assembly instructions	Can be aligned: horizontal 5 mm, vertical 50 mm
Electromagnetic compatibility	Conformance with EMC Directive 2004/108/EC
Standard - Electrical safety	EN 60950-1/VDE 0805 (SELV)
Standard - Electrical safety	EN 61558-2-17
Standard – Electronic equipment for use in electrical power installations and their assembly into electrical power installations	EN 50178/VDE 0160 (PELV)
UL approvals	UL/C-UL Recognized UL 60950
UL approvals	UL Listed UL 508

Connection data, input

Connection method	Pluggable screw connection
Conductor cross section solid min.	0.2 mm ²
Conductor cross section solid max.	2.5 mm ²
Conductor cross section stranded min.	0.2 mm ²
Conductor cross section stranded max.	2.5 mm ²
Conductor cross section AWG/kcmil min.	16
Conductor cross section AWG/kcmil max	12
Stripping length	7 mm

Uninterruptible power supply - QUINT-UPS/ 24DC/ 24DC/10/3.4AH - 2320267

Technical data

Connection data, input

Screw thread	M4
---------------------	----

Connection data, output

Connection method	Pluggable screw connection
Conductor cross section solid min.	0.2 mm ²
Conductor cross section solid max.	2.5 mm ²
Conductor cross section stranded min.	0.2 mm ²
Conductor cross section stranded max.	2.5 mm ²
Conductor cross section AWG/kcmil min.	16
Conductor cross section AWG/kcmil max	12
Stripping length	7 mm

Input data

Nominal input voltage	24 V DC
Input voltage range DC	18 V DC ... 30 V DC
Current consumption	18.6 A (24 V DC)
Current consumption	9.5 mA
Current consumption	3.6 A
Current consumption	14 A
Buffer period	180 min (1 A)
Buffer period	10 min (10 A)

classifications

eCl@ss

eCl@ss 4.0	27040702
eCl@ss 4.1	27040702
eCl@ss 5.0	27242213
eCl@ss 5.1	27040603
eCl@ss 6.0	27040603
eCl@ss 7.0	27040603
eCl@ss 8.0	27040603

ETIM

ETIM 3.0	EC001039
ETIM 4.0	EC000382
ETIM 5.0	EC000382

UNSPSC

UNSPSC 6.01	30211510
UNSPSC 7.0901	39121011
UNSPSC 11	39121011

Uninterruptible power supply - QUINT-UPS/ 24DC/ 24DC/10/3.4AH - 2320267

classifications

UNSPSC

UNSPSC 12.01	39121011
UNSPSC 13.2	39121011

approvals

UL Recognized / UL Listed / cUL Recognized / cUL Listed / cULus Recognized / cULus Listed /

Approval details

UL Recognized

UL Listed

cUL Recognized

cUL Listed

cULus Recognized

cULus Listed

accessories

Configuration and diagnostics

Uninterruptible power supply - QUINT-UPS/ 24DC/ 24DC/10/3.4AH - 2320267

accessories

UPS-CONF - 2320403



Data cable preassembled

IFS-USB-DATACABLE - 2320500



IFS-RS232-DATACABLE - 2320490



IFS-MINI-DIN-DATACABLE - 2320487



IFS-OPEN-END-DATACABLE - 2320450



Memory block

Uninterruptible power supply - QUINT-UPS/ 24DC/ 24DC/10/3.4AH - 2320267

accessories

IFS-CONFSTICK-L - 2901103



Assembly adapter

UTA 107/30 - 2320089



UWA 182/52 - 2938235

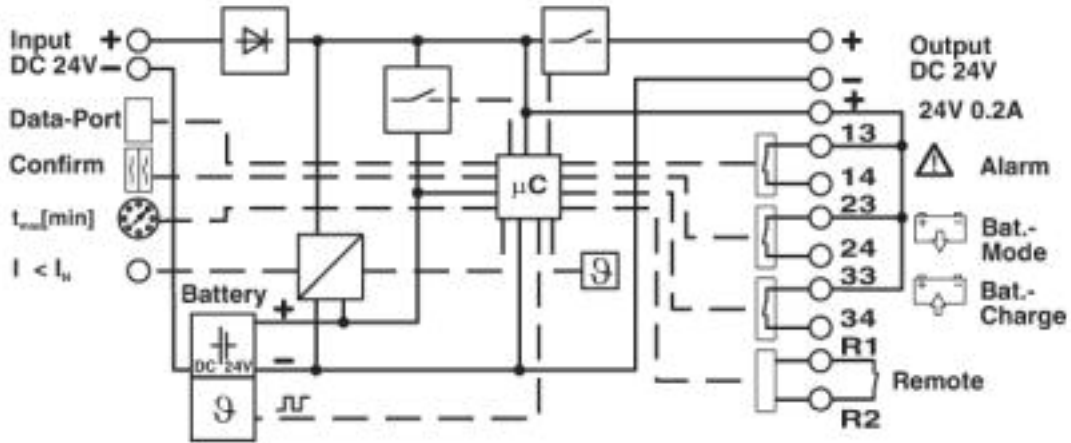
QUINT-PS-ADAPTERS7/1 - 2938196



Drawings

Uninterruptible power supply - QUINT-UPS/ 24DC/ 24DC/10/3.4AH - 2320267

Block diagram



© Phoenix Contact 2013 - all rights reserved
<http://www.phoenixcontact.com>