

LENGTH MEASURING - MECHANICAL



www.trumeter.com



• 2701 Double Wheel



• 2401 Single Wheel

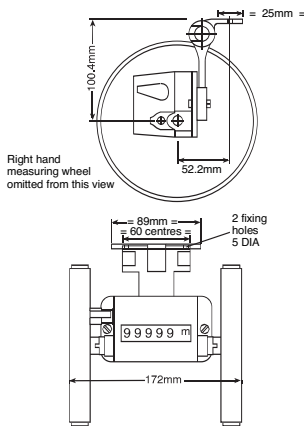


• 2300

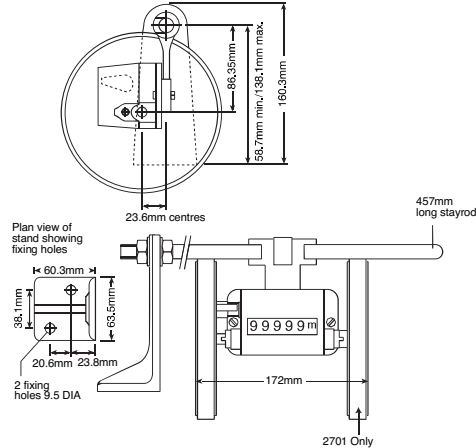
Description 2701 | 2401 | 2300

These rugged instruments have a wide range of applications where an accurate record of length is required. They are strong heavy duty units for use on calendars, tenters, rolling, ribbon winding textile machinery and almost all other continuous manufacturing processes. The 2701 (twin wheel) and the 2401 (single wheel) units are mounted or hung from a supplied stay rod 17.99" (457mm). The 2300 bolts directly onto a bulkhead or frame member. All models incorporate a hinge arrangement on the stay rod so they can be positioned at any angle. Incorporates the 3602 counter and measuring wheels (details on reverse).

Product Dimensions 2300



Product Dimensions 2401 | 2701



Specifications 2701 | 2401 | 2300

Application Heavy duty length measurement
Display 6 digit 0.25" (6.4mm)
Electronic option Electronic encoder
Measurement options Imperial or Metric
Max speed of travel 3000 RPM mechanical
Units of measurement Feet & Inches

Feet
 Yards & Eighths
 Yards
 Meters & Centimeters
 Metres

Shaft Diameter 7mm
Compatible Units 3602 counter
Pack Dimensions 2300 7.09" (180mm) x 7.87" (200mm) x 10.63" (270mm)
Pack Dimensions 2401 | 2701 19.69" (500mm) x 9.84" (250mm) x 3.94" (100mm)
Gross Weight 2300: 2.81lb (1.3kg)
 2401: 3.74lb (1.7kg)
 2701: 4.4lb (2.0kg)

• Stand may be configured by user to mount on either the left or right.

LENGTH MEASURING ORDERING INFORMATION

To order a 2300, 2401 or 2701

- Select from the three different basic units.
- Select the surface type.
- Select the circumference from the 4 option.
- Select the reading and the direction of travel.
- Select direction of travel.

1. Select one of units available from below

- CODE**
2300 - Measuring counter with hinged bracket and two wheels.
2401 - Measuring counter with stand, stay rod, counter mounting bracket and one wheel
2701 - Measuring counter with stand, stay rod, counter mounting bracket and two wheels.

2. Select one of the measuring wheels listed below

- CODE**
-1 Rubber covered plastic wheel(s)
-3 Polyurethane covered plastic wheel(s)
-5 Knurled aluminium wheel(s)

3. Select the correct circumference for the wheel(s)

- CODE**
-1 1/2 metre wheel(s)
-2 1/3 metre wheel(s)
-3 18 inch wheel(s)
-4 12 inch wheel(s)

4. Select reading

- CODE**
-MY Yards and 1/8ths
-MFY Yards
-MF Feet & Inches
-MFF Feet
-MC Meters & Centimeters
-MFM Meters

5. Direction of travel

- CODE**
C Top coming
G Top going

6. Example of full order code

2701 Unit (stand stayrod and 2 wheels) with 18" rubber covered plastic wheels, reading yards & 1/8ths, direction top going.

The full order code is:- **2701-13MYG**

