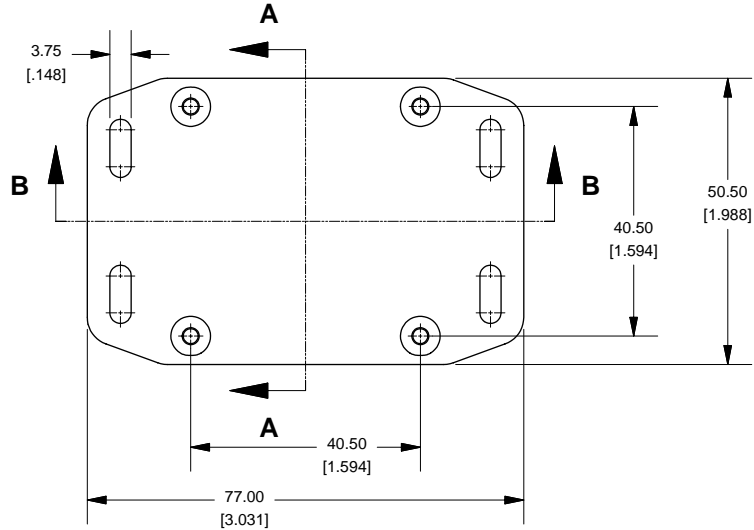
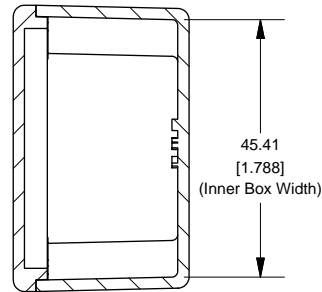


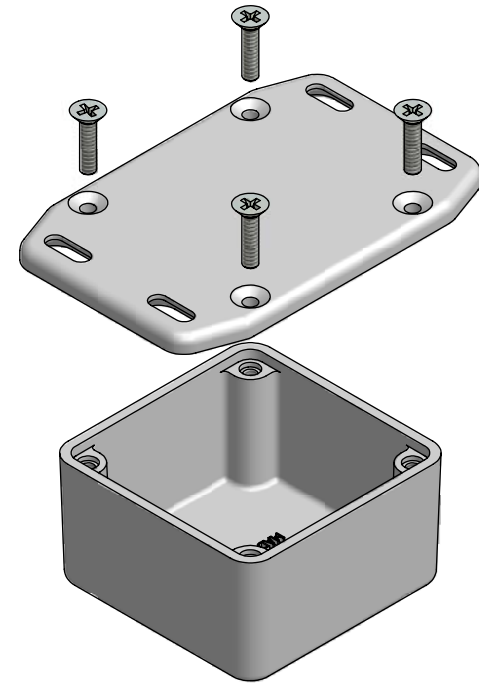
### Top View of Assembly



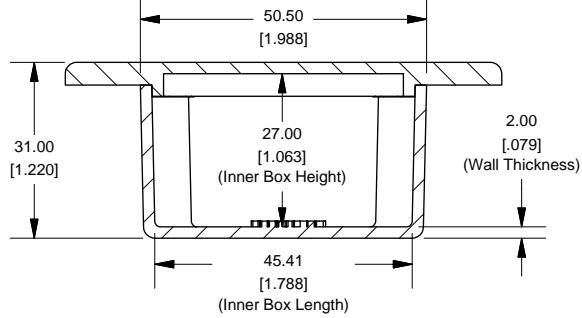
### SECTION A-A End View of Assembly



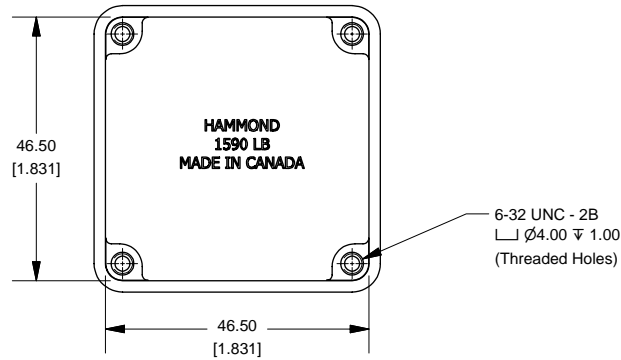
## Series 1590LBFL (Flanged Lid)



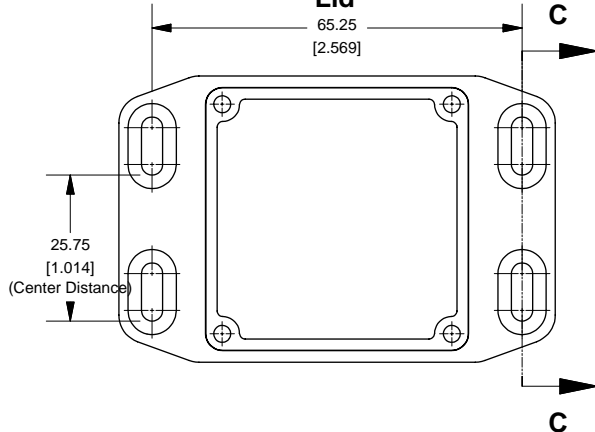
### SECTION B-B Side View of Assembly



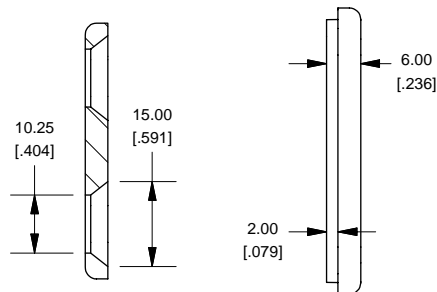
### Top View Looking Inside Box



### Lid



### SECTION C-C Side View of Slot



**NOTE**  
Purchased assembly includes box, lid and 4 cover screws.  
Box and lid are made from Diecast Aluminum Alloy (alloy type 360.1).

PART NUMBERS	
1590LBFL Enclosure	
Unfinished	1590LBFL
Black Textured Powder Paint	1590LBFLBK
1590LBFL Liquid Resistant Enclosure (Silicon Factory Installed Gasket)	
Unfinished	1590WLFL
Black Textured Powder Paint	1590WLFLBK
ACCESSORIES	
Unfinished	
Cover Screws (Pkg 100)	1590MS100
[6-32 x 1/2" Nickel Plated Screws]	1590MS100
Black Textured Powder Paint	
Cover Screws (Pkg 50)	1590MS50BK
[6-32 x 1/2" Stainless Steel Black Screws]	1590MS50BK

