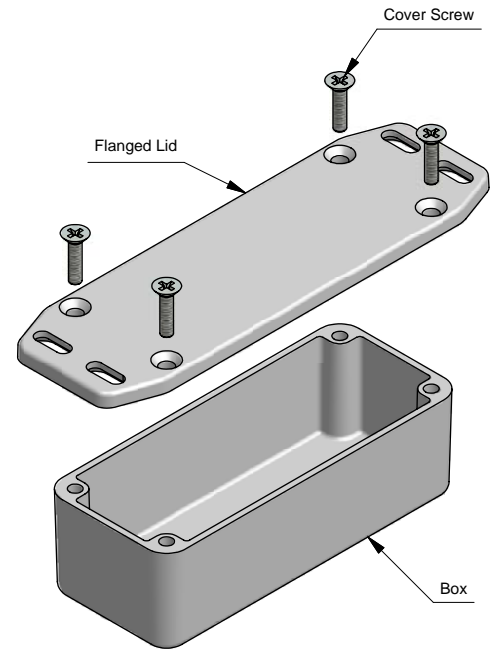
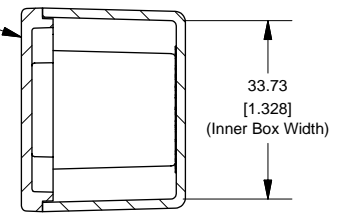
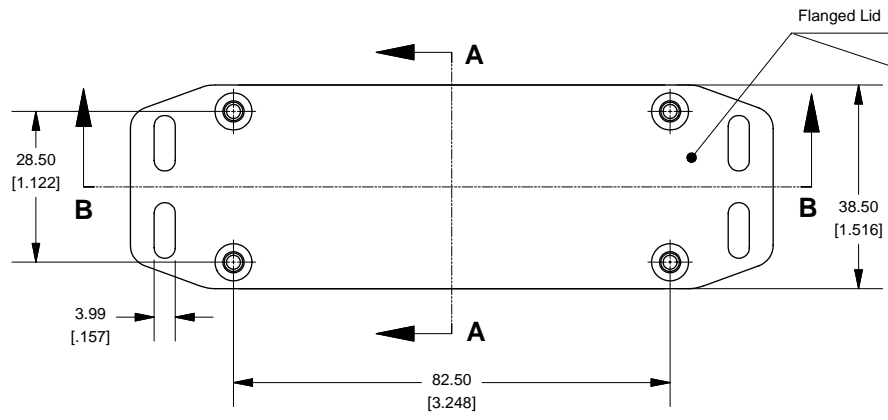


Series 1590AFL (Flanged Lid)

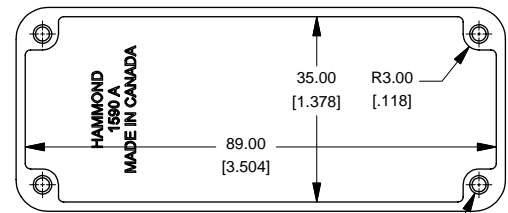
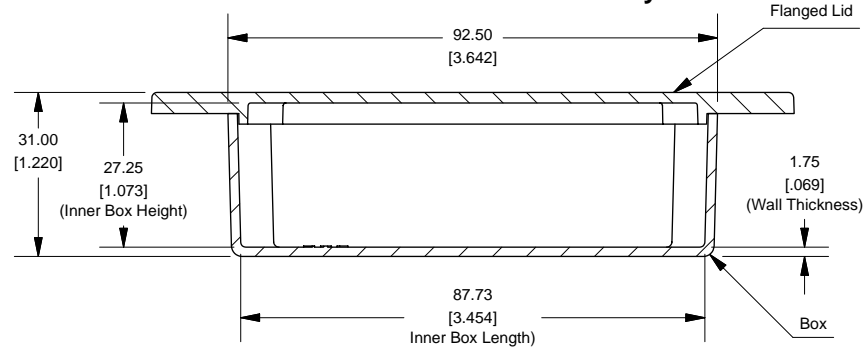
Top View of Assembly

SECTION A-A End View of Assembly



SECTION B-B Side View of Assembly

Top View Looking Inside Box



6-32 UNC - 2B ∇ 10.00
 \square \varnothing 3.50 ∇ 3.00
 (Threaded Holes)

NOTE
 Purchased assembly includes box, lid and 4 cover screws.
 Box and lid are made from Diecast Aluminum Alloy (alloy type 360.1).

PART NUMBERS	
1590AFL Enclosure	
Unfinished	1590AFL
Black Textured Powder Paint	1590AFLBK
1590AFL Liquid Resistant Enclosure (Silicon Factory Installed Gasket)	
Unfinished	1590WAF
Black Textured Powder Paint	1590WAFBK
ACCESSORIES	
Unfinished	
Cover Screws (Pkg 100) [6-32 x 1/2" Nickel Plated Screws]	1590MS100
Black Textured Powder Paint	
Cover Screws (Pkg 50) [6-32 x 1/2" Stainless Steel Black Screws]	1590MS50BK

Lid

SECTION C-C Side View of Slot

