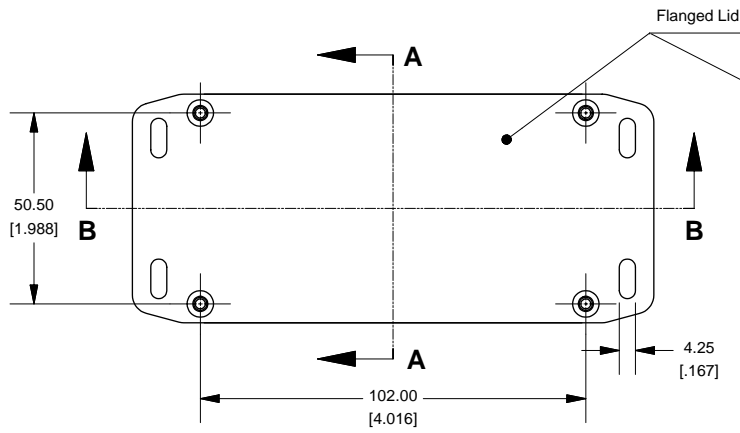
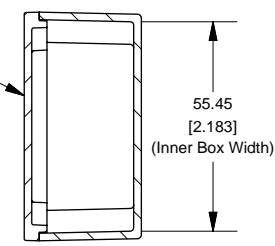


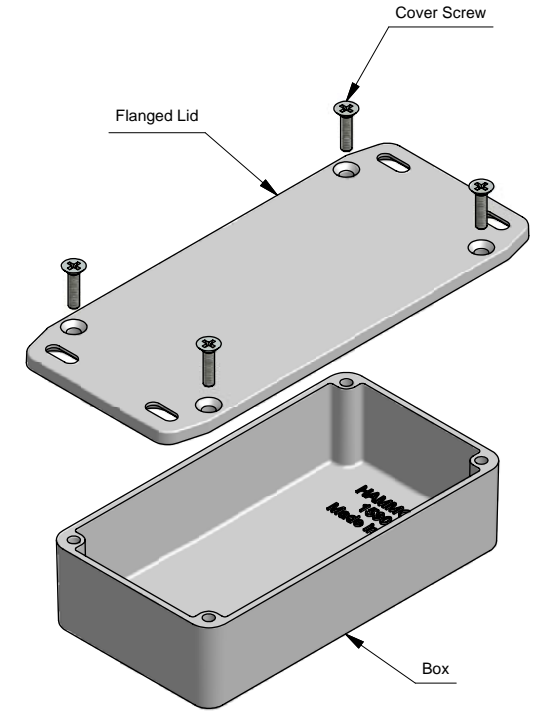
Top View of Assembly



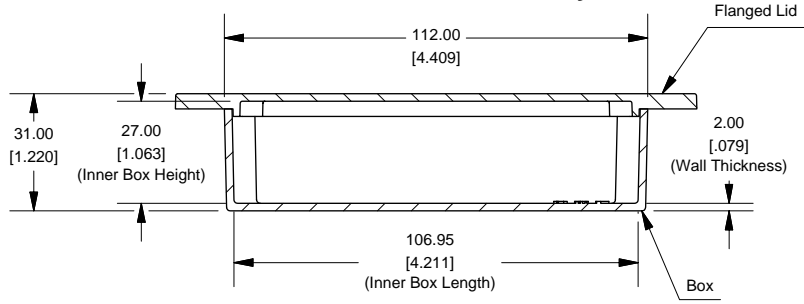
SECTION A-A
End View of Assembly



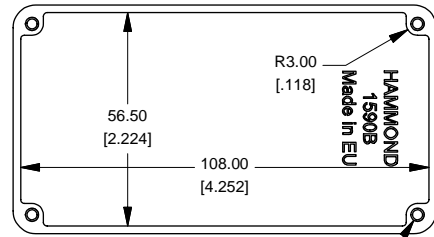
Series 1590BFL (Flanged Lid)



SECTION B-B
Side View of Assembly



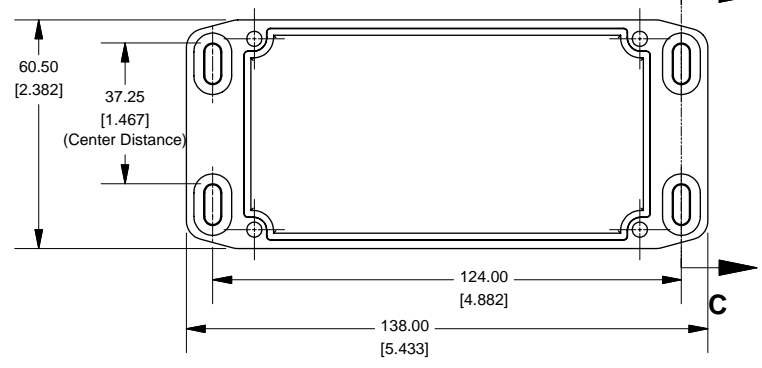
Top View Looking Inside Box



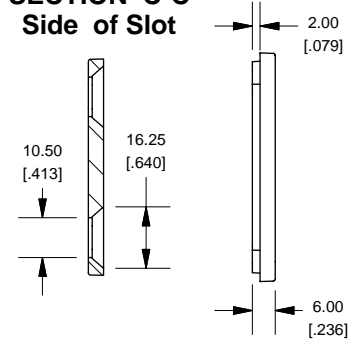
(Threaded Holes)
6-32 UNC - 2B ∇ 11.00
 \square \varnothing 3.50 ∇ 3.00

NOTE
Purchased assembly includes box, lid and 4 cover screws.
Box and lid are made from Diecast Aluminum Alloy (alloy type 360.1).

Lid



SECTION C-C
Side of Slot



PART NUMBERS	
1590BFL Enclosure	
Unfinished	1590BFL
Black Textured Powder Paint	1590BFLBK
1590BFL Liquid Resistant Enclosure (Silicon Factory Installed Gasket)	
Unfinished	1590WBFL
Black Textured Powder Paint	1590WBFLBK
ACCESSORIES	
Unfinished	
Cover Screws (Pkg 100) [6-32 x 1/2" Nickel Plated Screws]	1590MS100
Black Textured Powder Paint	
Cover Screws (Pkg 50) [6-32 x 1/2" Stainless Steel Black Screws]	1590MS50BK



www.hammondmfg.com