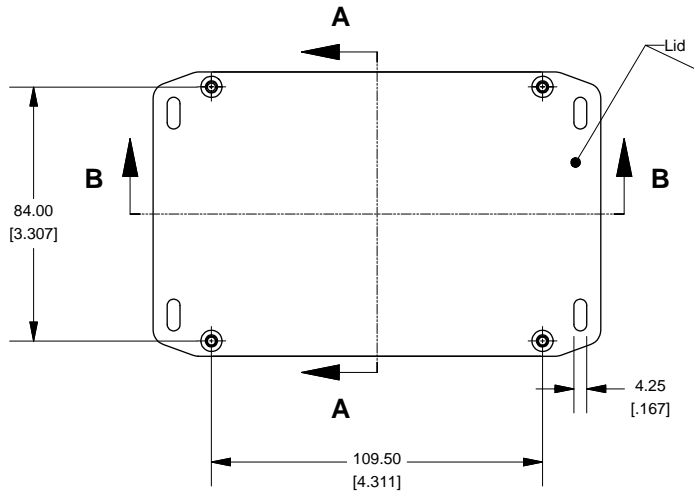
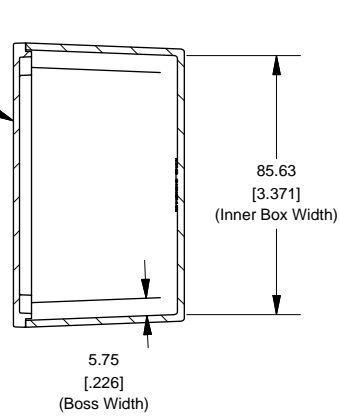


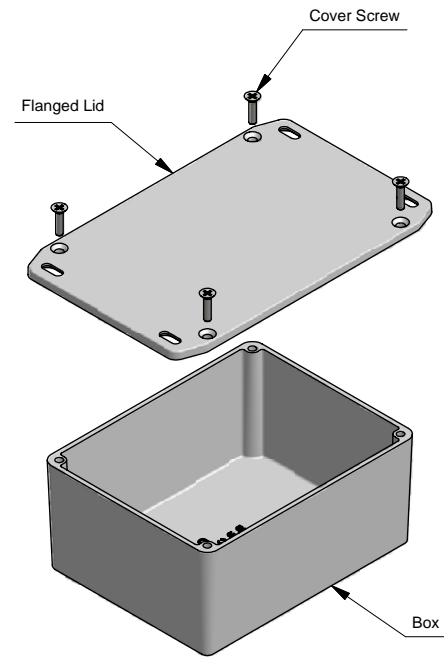
### Top View of Assembly



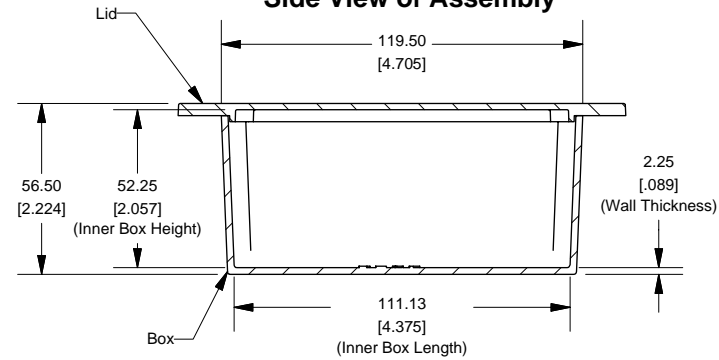
### SECTION A-A End View of Assembly



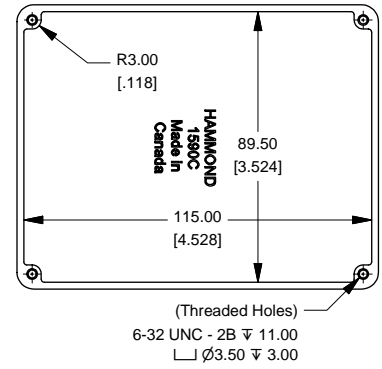
## Series 1590C (Flanged Lid)



### SECTION B-B Side View of Assembly



### Top View Looking Inside Box

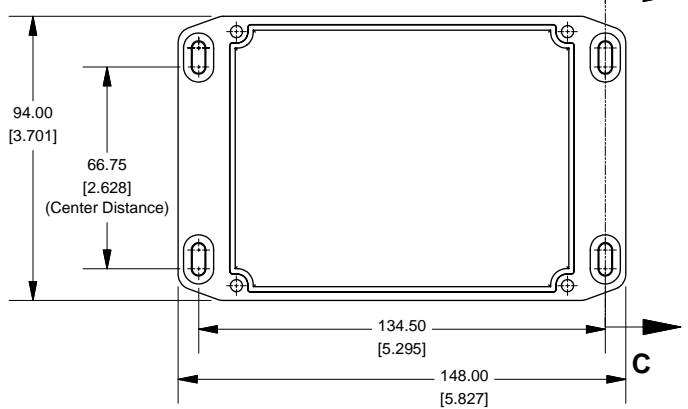


**NOTE**  
Purchased assembly includes box, lid and 4 cover screws.  
Box and lid are made from Diecast Aluminum Alloy (alloy type 360.1).

### PART NUMBERS

1590CFL Enclosure	
Unfinished	1590CFL
Black Textured Powder Paint	1590CFLBK
1590CFL Liquid Resistant Enclosure (Silicon Factory Installed Gasket)	
Unfinished	1590WCFL
Black Textured Powder Paint	1590WCFLBK
ACCESSORIES	
Unfinished	
Cover Screws (Pkg 100)	
[6-32 x 1/2" Nickel Plated Screws]	1590MS100
Black Textured Powder Paint	
Cover Screws (Pkg 50)	
[6-32 x 1/2" Stainless Steel Black Screws]	1590MS50BK

### Lid



### SECTION C-C Side View of Slot

