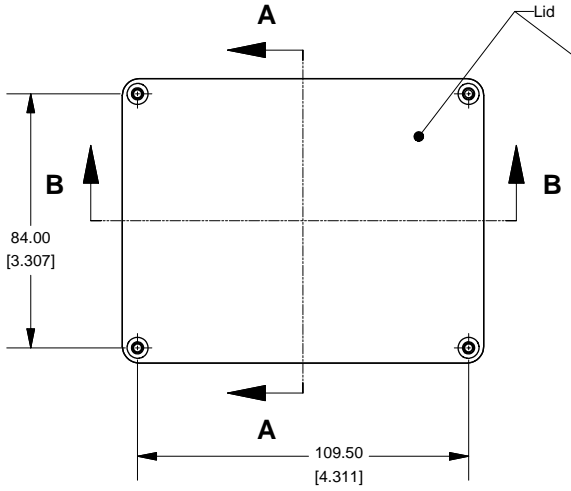
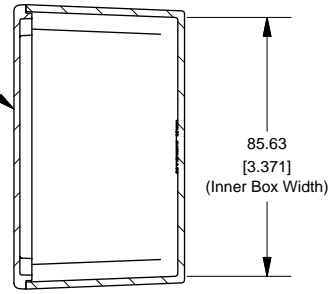


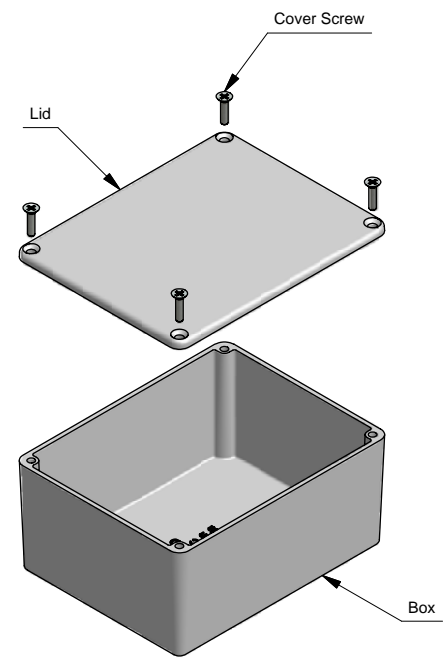
Top View of Assembly



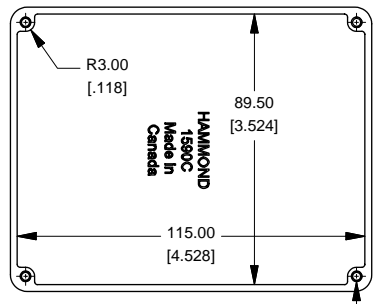
SECTION A-A  
End View of Assembly



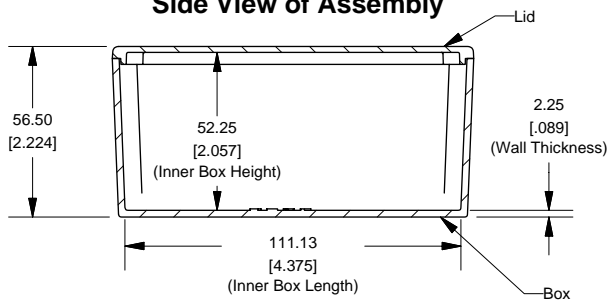
Series 1590C



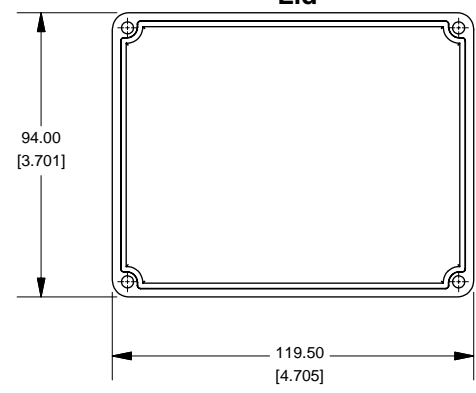
Top View Looking Inside Box



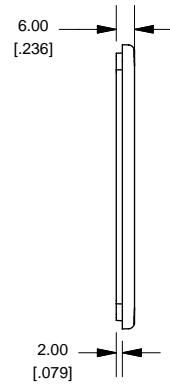
SECTION B-B  
Side View of Assembly



Lid



6-32 UNC - 2B  $\nabla$  11.00  
 $\perp$   $\varnothing$ 3.50  $\nabla$  3.00  
 (Threaded Holes)



NOTE

Purchased assembly includes box, lid and 4 cover screws.  
 Box and lid are made from Diecast Aluminum Alloy (alloy type 360.1).

PART NUMBERS

1590C Enclosure	
Unfinished	1590C
Black Textured Powder Paint	1590CBK
1590C Liquid Resistant Enclosure (Silicon Factory Installed Gasket)	
Unfinished	1590WC
Black Textured Powder Paint	1590WCBK
ACCESSORIES	
Unfinished	
Cover Screws (Pkg 100)	1590MS100
[6-32 x 1/2" Nickel Plated Screws]	
Black Textured Powder Paint	
Cover Screws (Pkg 50)	1590MS50BK
[6-32 x 1/2" Stainless Steel Black Screws]	



www.hammondmfg.com