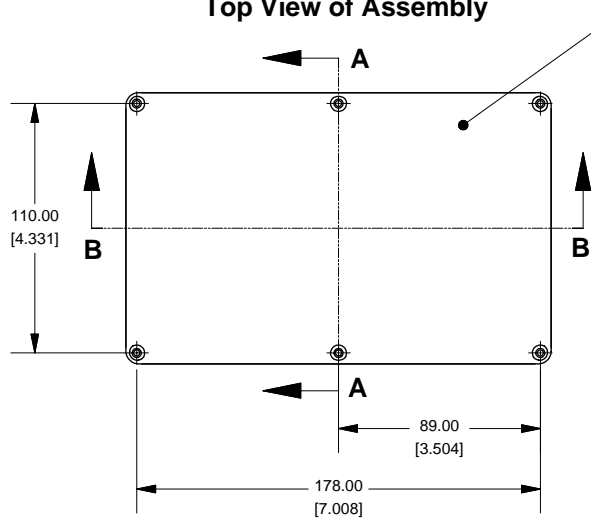
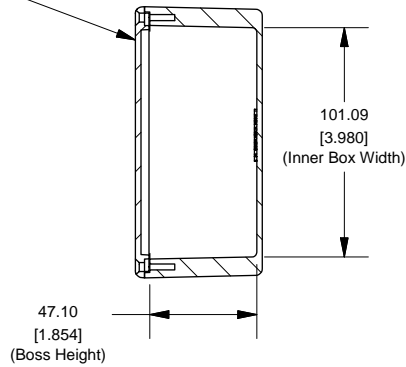


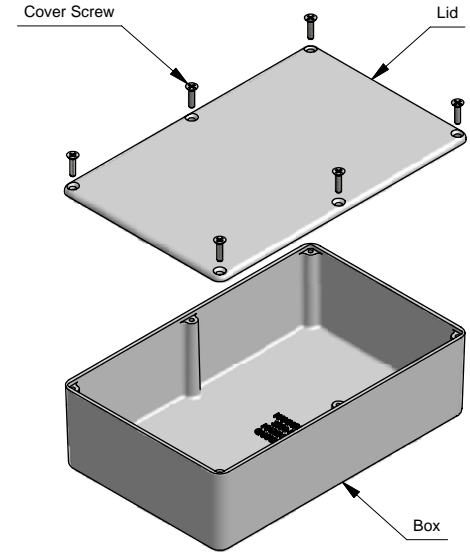
Top View of Assembly



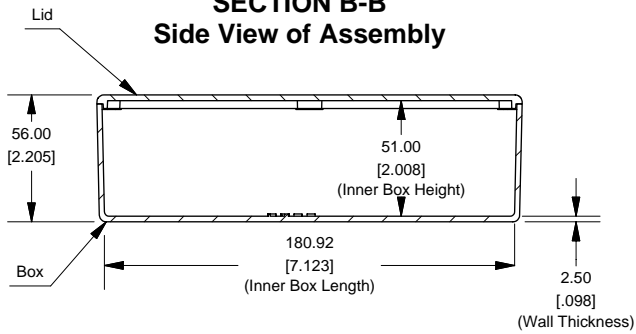
SECTION A-A  
End View of Assembly



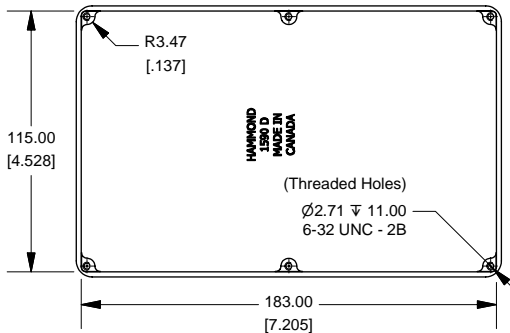
### Series 1590D



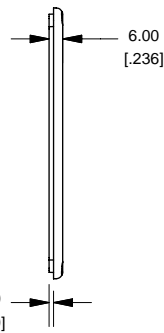
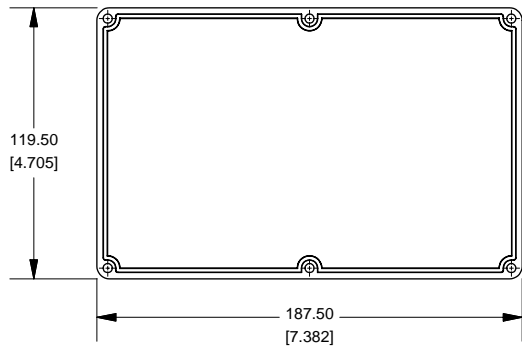
SECTION B-B  
Side View of Assembly



Top View Looking Inside Box



Lid



#### NOTE

Purchased assembly includes box, lid and 6 cover screws.  
Box and lid are made from Diecast Aluminum Alloy (alloy type 360.1).

#### PART NUMBERS

1590D Enclosure	
Unfinished	1590D
Black Textured Powder Paint	1590DBK
1590D Liquid Resistant Enclosure (Silicon Factory Installed Gasket)	
Unfinished	1590WD
Black Textured Powder Paint	1590WDBK
ACCESSORIES	
Unfinished	
Cover Screws (Pkg 100) [6-32 x 1/2" Nickel Plated Screws]	1590MS100
Black Textured Powder Paint	
Cover Screws (Pkg 50) [6-32 x 1/2" Stainless Steel Black Screws]	1590MS50BK

