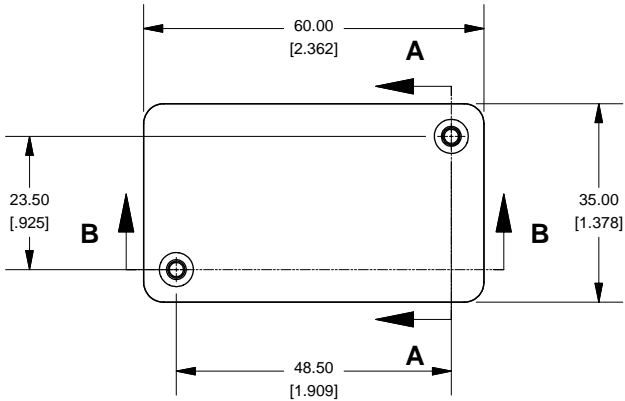
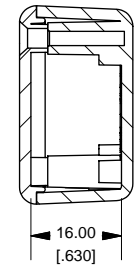


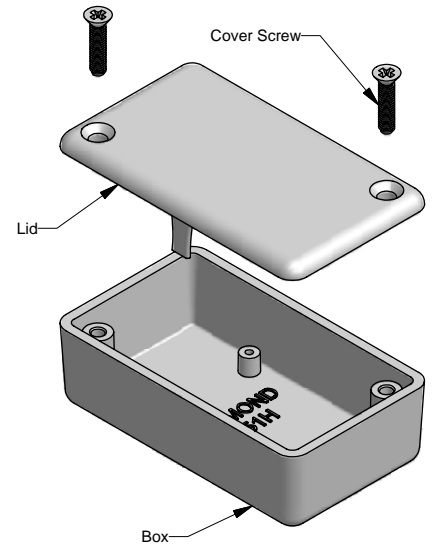
Top View of Assembly



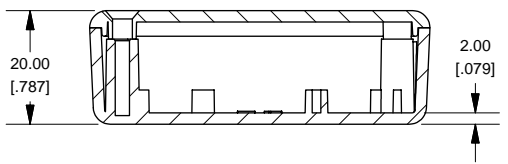
SECTION A-A End View of Assembly



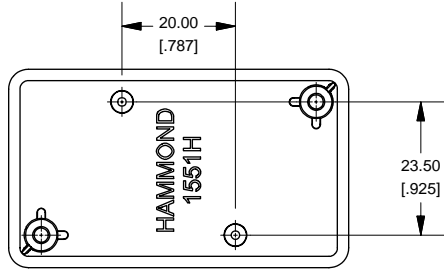
1551H (Basic)



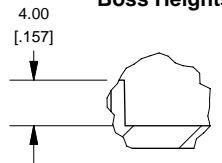
SECTION B-B Side View of Assembly



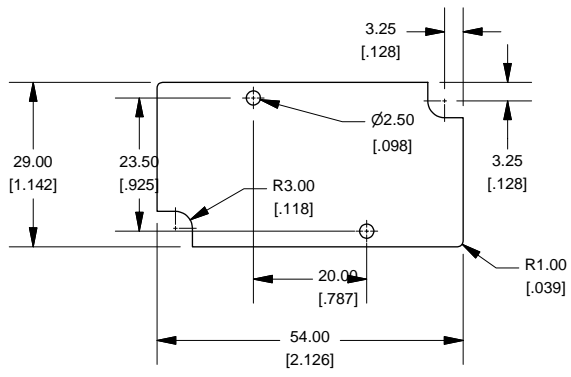
Top View Looking Inside Box



SECTION C-C Boss Heights

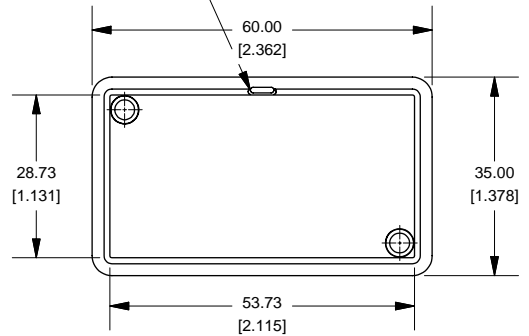


Maximum P.C. Board Size



Note: Enclosure Lid may come with "gate" tab still intact. This tab is easily removed if necessary

Lid



NOTE
Purchased assembly includes lid and box made from GP ABS material and cover screws.

| 1551H | |
|--|----------------------|
| 1551H Enclosure | |
| Black Enclosure - RAL 7011 | 1551HBK |
| Gray Enclosure - RAL 7035 | 1551HGY |
| ACCESSORIES | |
| Black Enclosure Cover Screws (Pkg 100) [#4 X 1/2" Self Tapping] | 1591TS100BK |
| Gray Enclosure Cover Screws (Pkg 100) [#4 X 1/2" Self Tapping] | 1591TS100 |
| P.C. Board Screws [#2 X 3/16" Self-Tapping] | 1551ATS100 (Pkg 100) |

