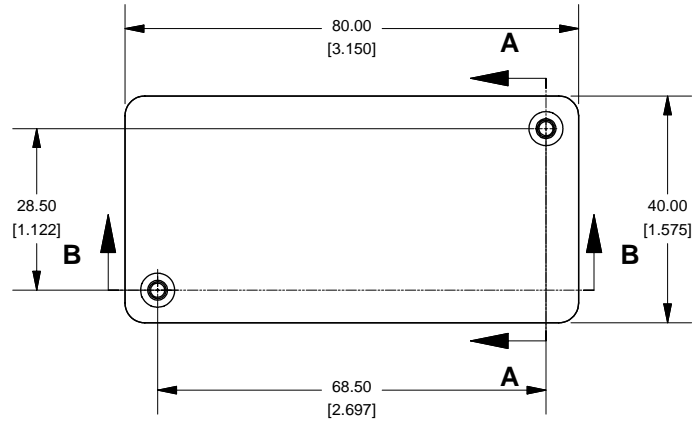
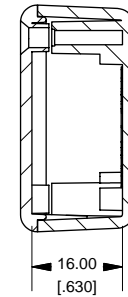


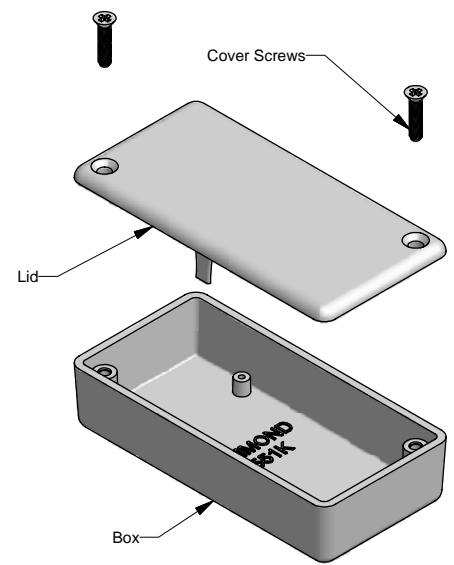
### Top View of Assembly



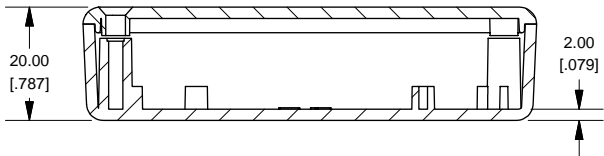
### SECTION A-A End View of Assembly



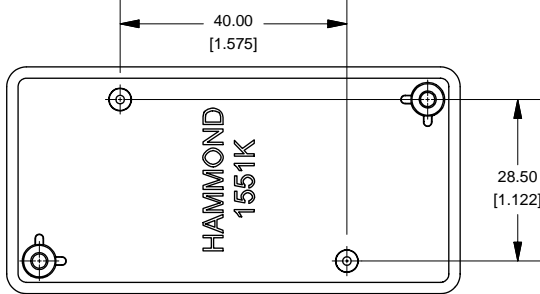
## 1551K (Basic)



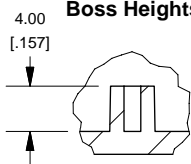
### SECTION B-B Side View of Assembly



### Top View Looking Inside Box

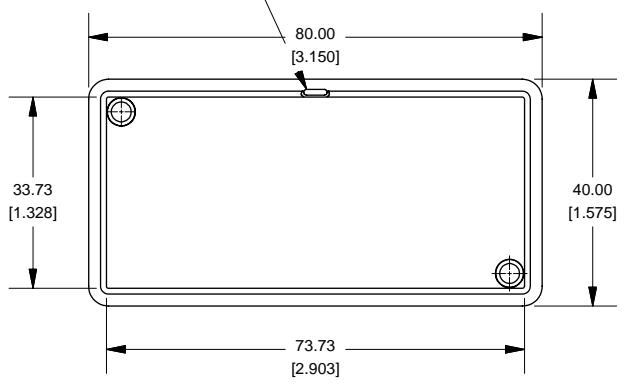


### SECTION C-C Boss Heights

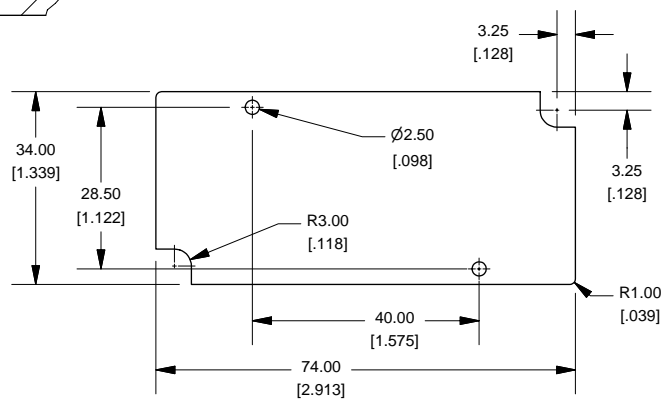


Note: Enclosure Lid may come with "gate" tab still intact. This tab is easily removed if necessary

### Lid



### Maximum P.C. Board Size



**NOTE**  
Purchased assembly includes lid and box made from GP ABS material and cover screws.

1551K	
1551K Enclosure	
Black Enclosure - RAL 7011	1551KBK
Gray Enclosure - RAL 7035	1551KGY
ACCESSORIES	
Black Enclosure Cover Screws (Pkg 100) (#4 X 1/2" Self Tapping)	1591TS100BK
Gray Enclosure Cover Screws (Pkg 100) (#4 X 1/2" Self Tapping)	1591TS100
P.C. Board Screws (#2 X 3/16" Self-Tapping)	1551ATS100 (Pkg 100)

