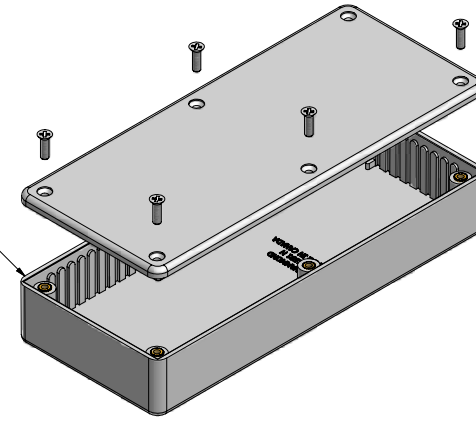


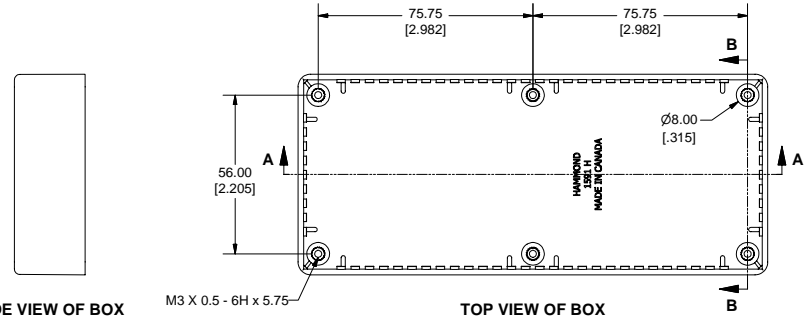
# 1591H Enclosure

LID FASTENERS  
M3 x 10 mm Screws for FRABS/Polycarb  
#4 x 1/2" Self Tapping for GPABS

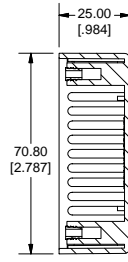


EXPLODED VIEW OF ASSEMBLY

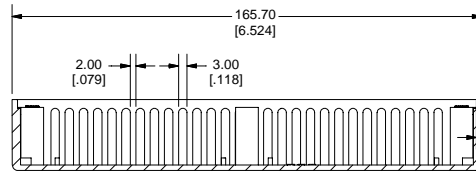
Brass Inserts in FRABS and Polycarb  
No inserts in GPABS



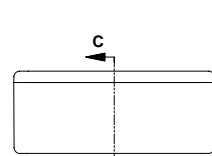
TOP VIEW OF BOX



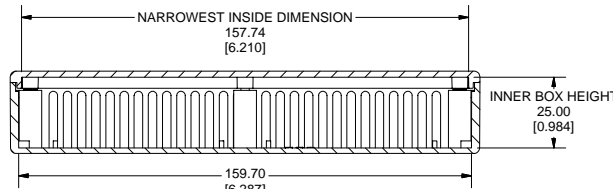
SECTION B-B



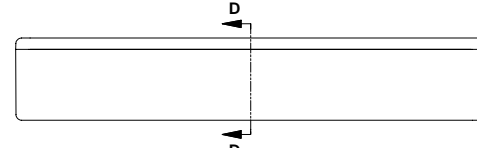
SECTION A-A



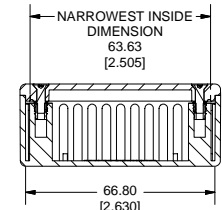
END VIEW OF ASSEMBLY



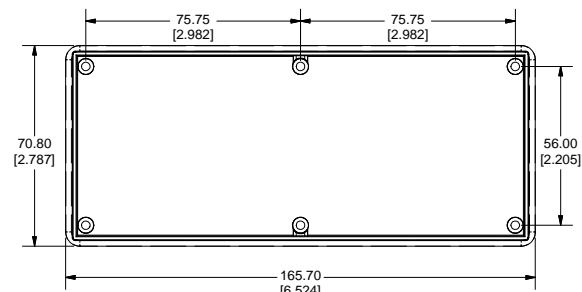
SECTION C-C



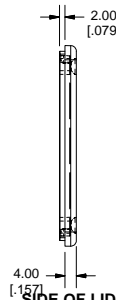
SIDEVIEW OF ASSEMBLY



SECTION D-D



BOTTOM OF LID



SIDE OF LID

**Note:**

Enclosures can be Factory Modified ( Milling, Drilling, Printing etc. )  
Solid models of this enclosure available in STEP or IGES Format.  
Contact Factory [mjm@hammondmfg.com](mailto:mjm@hammondmfg.com)



PART NUMBERS		
1591H Enclosures		
Material	Colour	Part Number
FR ABS UL94 - V0	Black	1591HBK
	Grey	1591HGY
	Black Shielded ( Conductive Paint )	1591RHBK
GP ABS	Black	1591HSBK
	Grey	1591HSGY
Translucent Polycarbonate	Ice Blue	1591HTBU
	IR Red	1591HTRD
	Crystal Clear	1591HTCL
Accessories		
Description		Part Number
Universal Application	PC Board Card Adapters	See Accessories Section
	Flange Kits	See Accessories Section
	Clear Lids - clear, flame retardant polycarbonate - Lid ONLY	1591HC
FR ABS & Polycarbonate	Replacement Screws, Flat head Phillips, Nickel Plated Pkg of 100	1591MS100 (Black) 1591TS100
	Self Tapping Pkg of 100	1591TS100BK ( Black)
Required Torque on Fasteners (no lubrication)		
M3 - 0.5 x 10mm Screws		30-40 cN*m
#4 x 0.5 Screws		30-40 cN*m