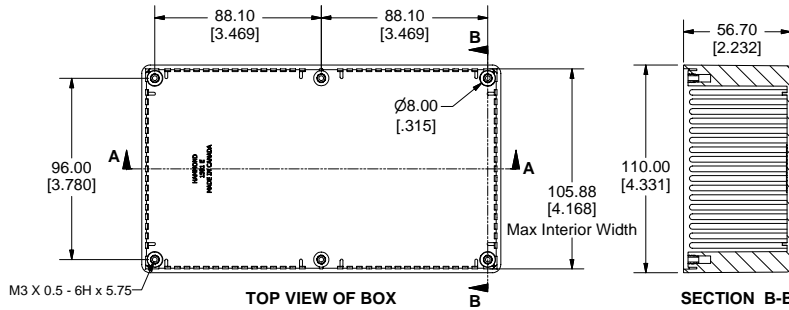
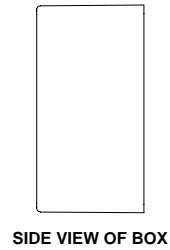
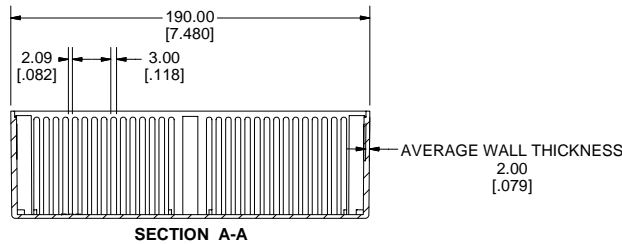


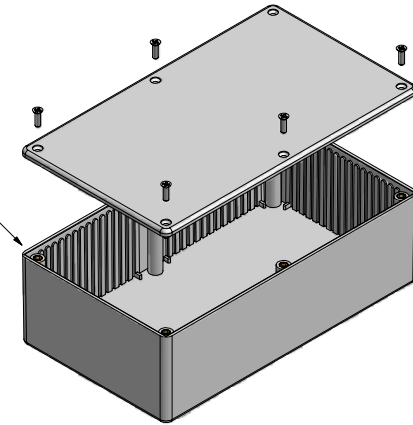
1591E Enclosure



SECTION B-B

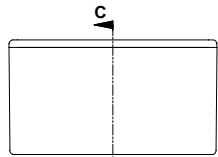


LID FASTENERS
M3 x 10 mm Screws for FRABS/Polycarb
#4 x 1/2" Self Tapping for GPABS

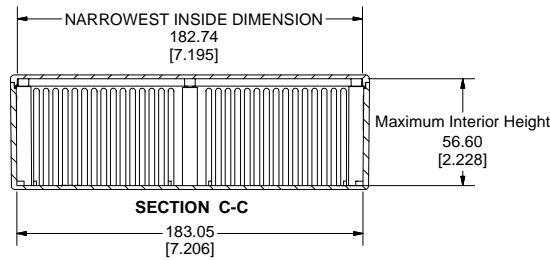


EXPLODED VIEW OF ASSEMBLY

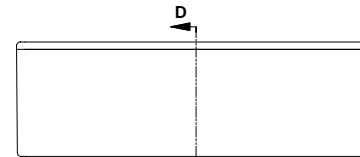
Brass Inserts in FRABS and Polycarb
No inserts in GPABS



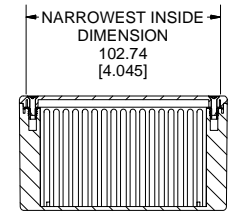
END VIEW OF ASSEMBLY



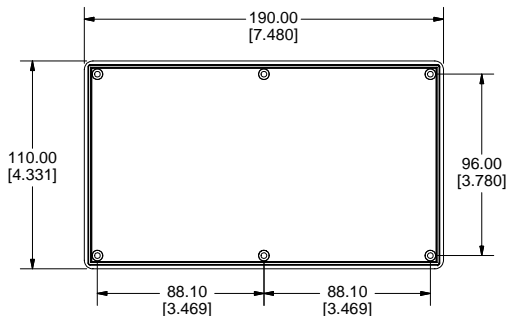
SECTION C-C



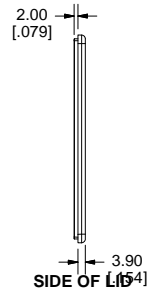
SIDE VIEW OF ASSEMBLY



SECTION D-D



BOTTOM OF LID



SIDE OF LID

Note:
Enclosures can be Factory Modified (Milling, Drilling, Printing etc.)
Solid models of this enclosure available in STEP or IGES Format.
Contact Factory mjm@hammondmfg.com



PART NUMBERS		
1591E Enclosures		
Material	Colour	Part Number
FR ABS UL94 - V0	Black	1591EBK
	Grey	1591EGY
GP ABS	Black Shielded (Conductive Paint)	1591REBK
	Black	1591ESBK
Translucent Polycarbonate	Grey	1591ESGY
	Ice Blue	1591ETBU
Polycarbonate	IR Red	1591ETRD
	Crystal Clear	1591ETCL
Accessories		
Description	Part Number	
Universal Application	PC Board Card Adapters	See Accessories Section
	Flange Kits	See Accessories Section
	Clear Lids - clear, flame retardant polycarbonate - Lid ONLY	1591EC
FR ABS & Polycarbonate	Replacement Screws, Flat head Phillips, Nickel Plated Pkg of 100	1591MS100 1591MS100BK (Black)
GP ABS	Self Tapping Pkg of 100	1591TS100 1591TS100BK (Black)
Required Torque on Fasteners (no lubrication)		
M3 - 0.5 x 10mm Screws		30-40 cN*m
#4 x 0.5 Screws		30-40 cN*m