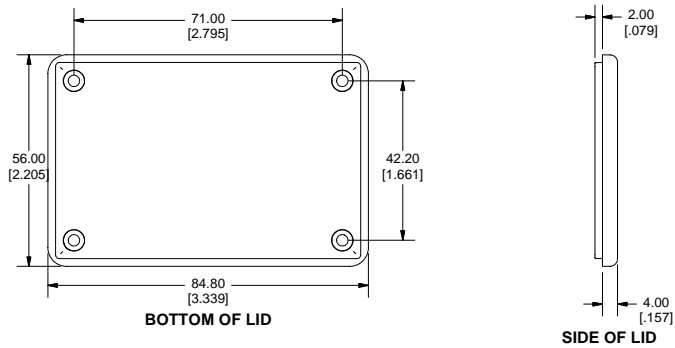
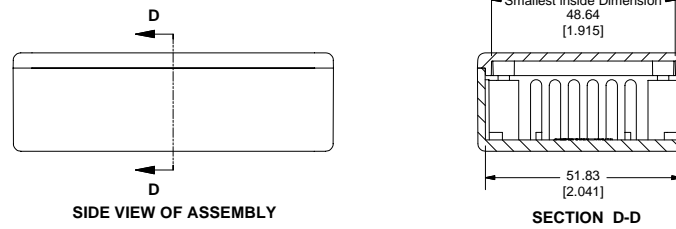
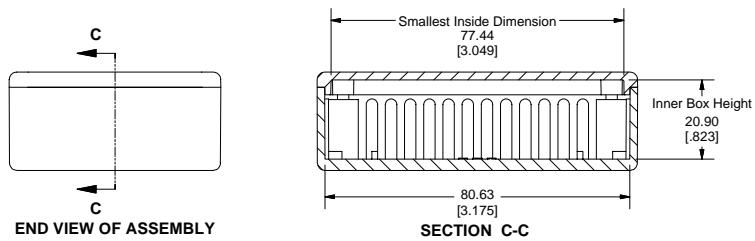
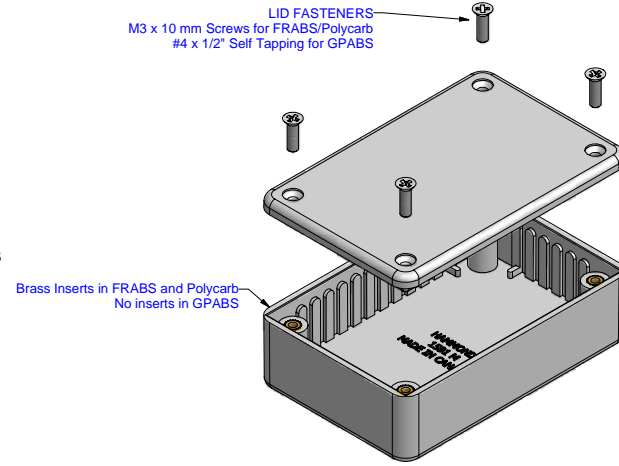
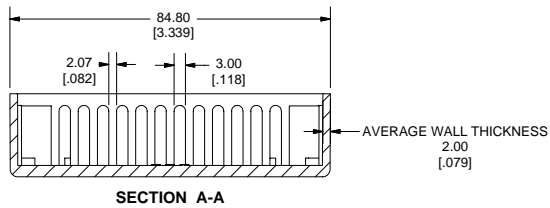
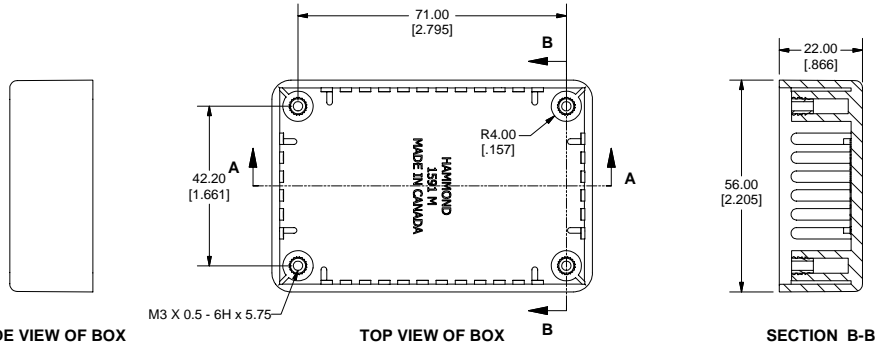


1591M Enclosure



Note:

Enclosures can be Factory Modified (Milling, Drilling, Printing etc.)
Solid models of this enclosure available in STEP or IGES Format.
Contact Factory mjm@hammondmfg.com



PART NUMBERS		
1591M Enclosures		
Material	Colour	Part Number
FR ABS UL94 - V0	Black	1591MBK
	Grey	1591MGY
	Black Shielded (Conductive Paint)	1591MBK
GP ABS	Black	1591MSBK
	Grey	1591MSGY
Translucent Polycarbonate	Ice Blue	1591MTBU
	IR Red	1591MTRD
	Crystal Clear	1591MTCL
Accessories		
	Description	Part Number
Universal Application	PC Board Card Adapters	See Accessories Section
	Flange Kits	See Accessories Section
	Clear Lids - clear, flame retardant polycarbonate - Lid ONLY	1591MC
FR ABS & Polycarbonate	Replacement Screws, Flat head Phillips, Nickel Plated Pkg of 100	1591MS100 1591MS100BK (Black)
	Self Tapping Pkg of 100	1591TS100 1591TS100BK (Black)
Required Torque on Fasteners (no lubrication)		
	M3 - 0.5 x 10mm Screws	30-40 cN·m
	#4 x 0.5 Screws	30-40 cN·m