

SPECIFICATION FOR APPROVAL

業務部

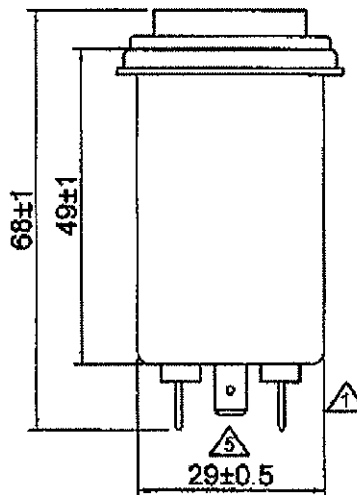
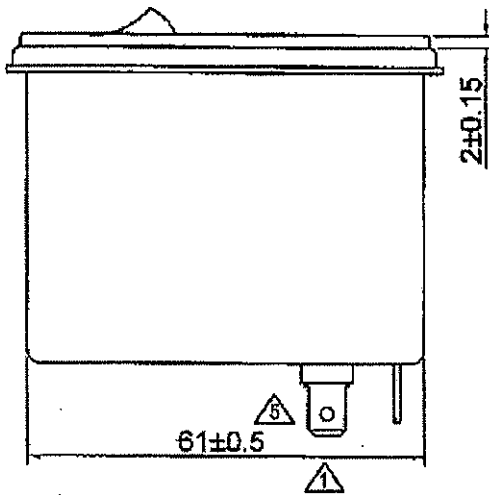
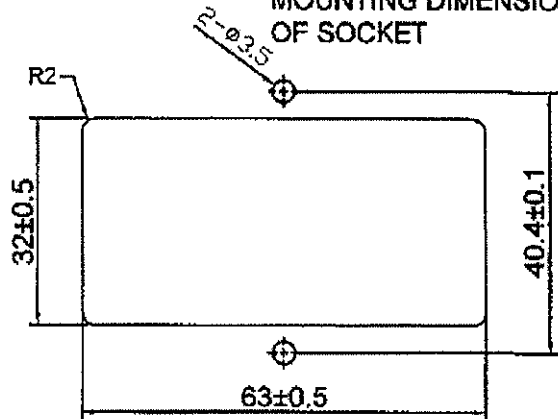
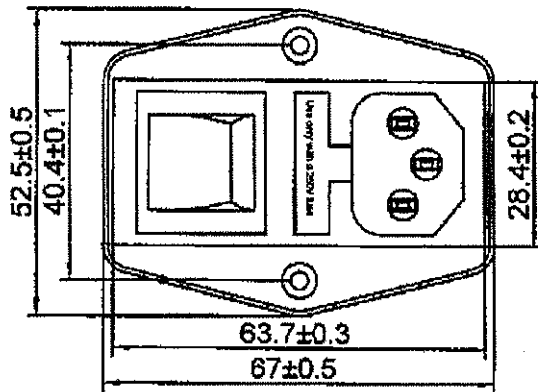
TO: _____

1/2

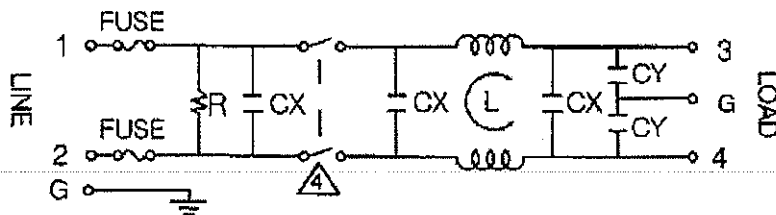
PART NAME	EMI FILTER	YUNPEN SAMPLE NO	
Best No	521361	SAMPLE DATE	JUN-11-2010
MODEL NO	YQ01A1	OUR DRAWING NO	YDR-00230a

1. PHYSICAL DIMENSIONS:(mm)

SUGGESTED CUTOUT
MOUNTING DIMENSIONS
OF SOCKET



2.SCHEMATIC



CX : 0.22uF
CY : 2200pF
L : 2X10.5mH
R : 1MΩ

REPORTED BY	CHECKED BY	APPROVED BY	3	原VDE:1630600-4730-0010-26192號碼更正40006617
	/	陳俊佑 100611	2	增安規CE
			REV. 1	更改端子

SPECIFICATION FOR APPROVAL

業務部

2/2

TO:

PART NAME	EMI FILTER	YUNPEN SAMPLE NO	
Best No.	521361	SAMPLE DATE	JUN-11-2010
MODEL NO	YQ01A1	OUR DRAWING NO	YDR-00230e

3. ELECTRICAL CHARACTERISTICS:

- 3-1. RATED VOLTAGE 125/250VAC
- 3-2. RATED CURRENT 1 A
- 3-3. OPERATING FREQUENCY 50/60Hz
- 3-4. LEAKAGE CURRENT: EACH LINE TO GROUND
 250VAC 50Hz 0.6mA MAX
- 3-5. HIPOT RATING. (FOR ONE MINUTE)
 LINE TO LINE 1450VDC
 LINE TO GROUND 2250VDC
- 3-6. INSULATION RESISTANCE 250VDC/100MOHM MIN
- 3-7. DIRECT CURRENT RESISTANCE 0.5 OHM MAX
- 3-8. OPERATING TEMPERATURE -25 TO +100°C

4. SAFETY COMPLIANCE:

VDE FILE NO: 40006617
 CE

REPORTED BY	CHECKED BY	APPROVED BY	6	
		 100611	5	端子孔椭圆形更正圆形 100611
			REV. 4	更正线路图 091222