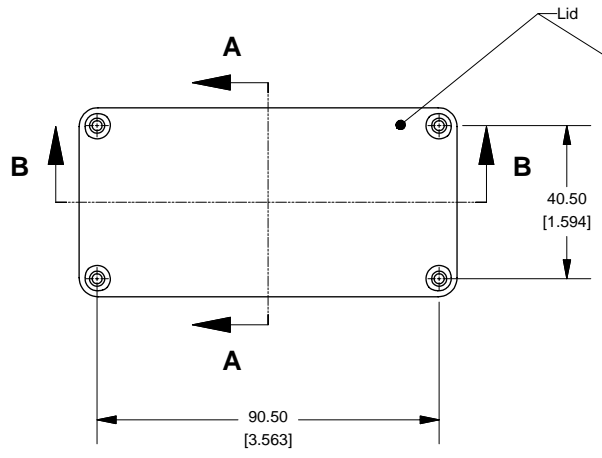
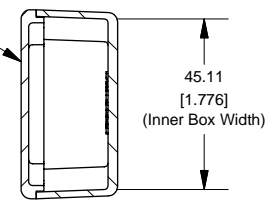


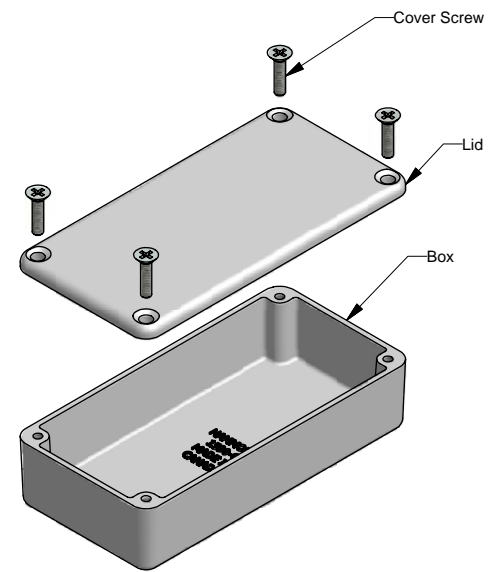
Top View of Assembly



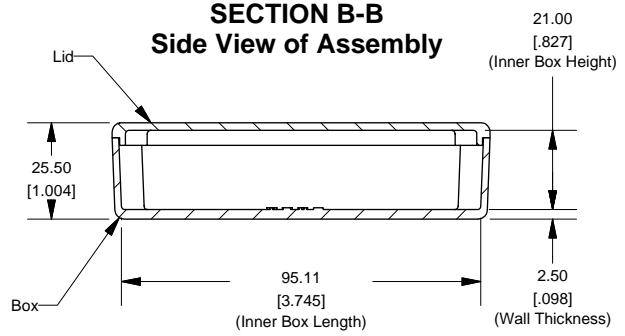
SECTION A-A
End View of Assembly



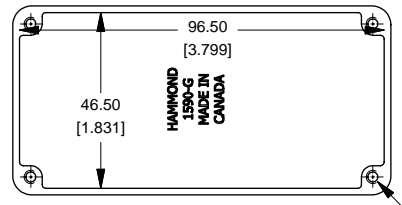
Series 1590G (Basic)



SECTION B-B
Side View of Assembly



Top View Looking Inside Box



6-32 UNC - 2B ∇ 10.00
(Threaded Holes)

NOTE
 Purchased assembly includes box, lid and 4 cover screws.
 Box and lid are made from Diecast Aluminum Alloy (alloy type 360.1).

PART NUMBERS	
1590G Enclosure	
Unfinished	1590G
Black Textured Powder Paint	1590GBK
1590G Liquid Resistant Enclosure (Silicon Factory Installed Gasket)	
Unfinished	1590WG
Black Textured Powder Paint	1590WGBK
ACCESSORIES	
Unfinished	
Cover Screws (Pkg 100)	
[6-32 x 1/2" Nickel Plated Screws]	1590MS100
Black Textured Powder Paint	
Cover Screws (Pkg 50)	
[6-32 x 1/2" Stainless Steel Black Screws]	1590MS50BK

Lid

