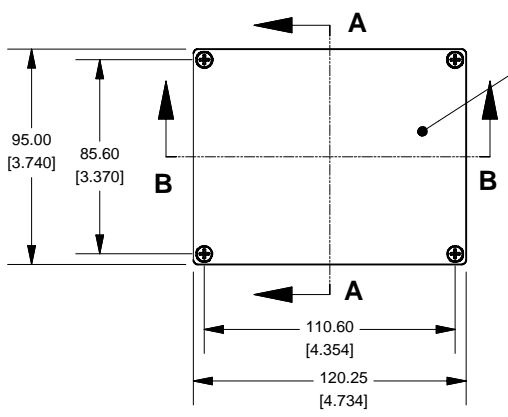
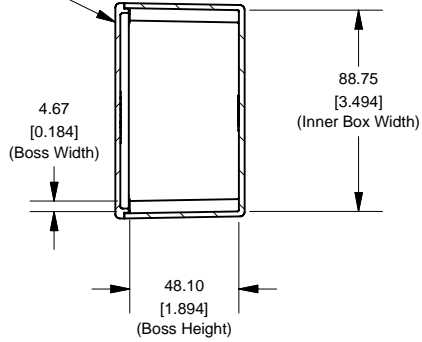


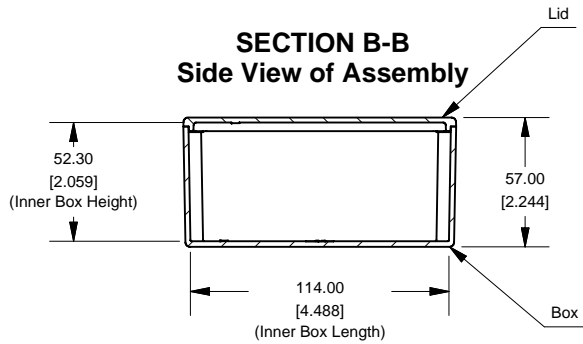
### Top View of Assembly



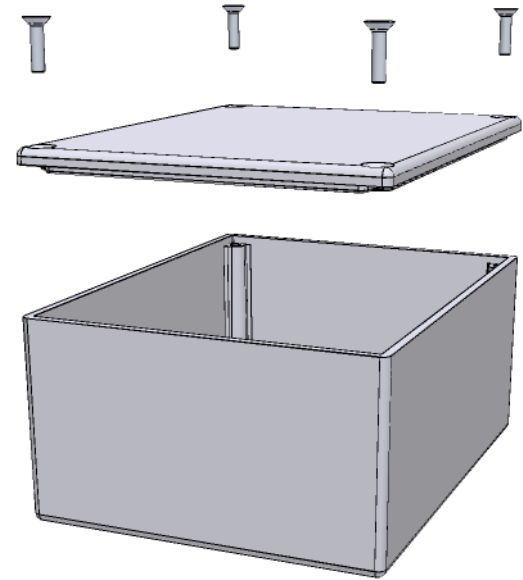
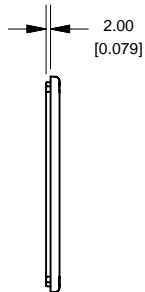
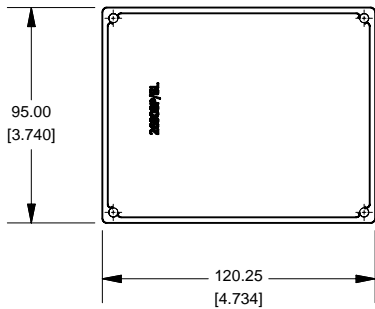
### SECTION A-A End View of Assembly



### SECTION B-B Side View of Assembly



### Lid



Enclosures can be Factory Modified ( Milling, Drilling, Printing etc. )  
 Solid models of this enclosure available in STEP or IGES.  
 Contact Factory [jelkins@hammond-electronics.co.uk](mailto:jelkins@hammond-electronics.co.uk)

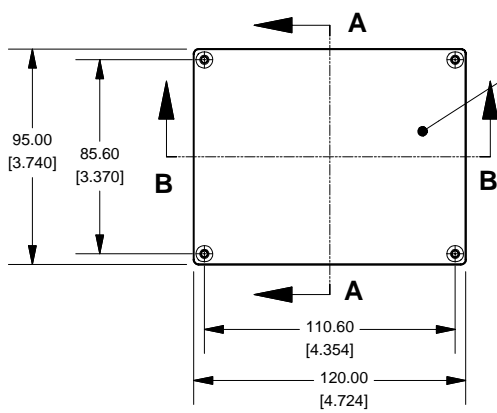
| NOTE   |  |
|--|--|
| Purchased assembly includes Lid, Box and 4 cover screws. |  |

| Eddystone 26908PSLA |  |
|---------------------|--|
| PART INFORMATION    |  |
| Part Number:        | 26908PSLA  |
| Material:           | LM2 / LM24 Diecast Aluminum Alloy                                |
| Cover Screw Type:   | M3.5 x 10mm Countersunk<br>(Screw Torque 75 oz f.in or 55 cN. m) |

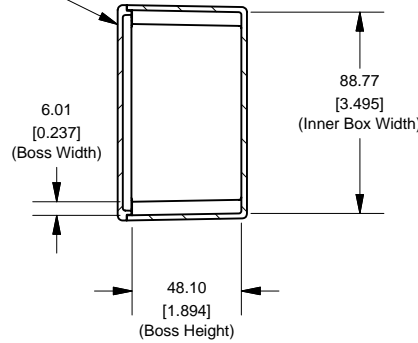
**HAMMOND  
MANUFACTURING™**

**26908PSLA**  
[www.hammondmfg.com](http://www.hammondmfg.com)

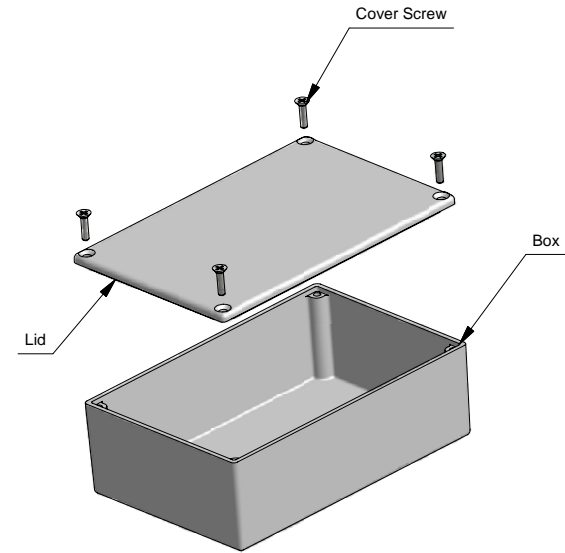
### Top View of Assembly



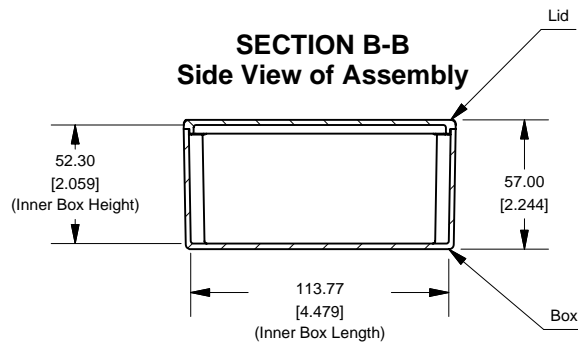
### SECTION A-A End View of Assembly



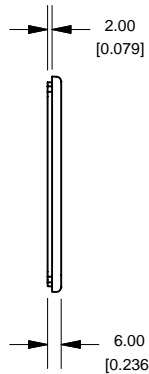
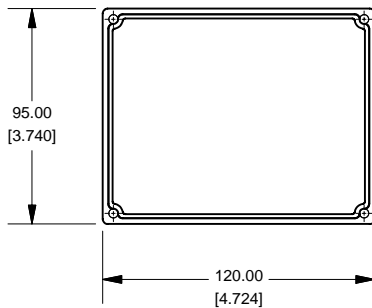
## Eddystone - Shallow Lid (26908PSLA)



### SECTION B-B Side View of Assembly



### Lid



| PART DESCRIPTION    |   |
|---------------------|---|
| <b>Part Number:</b> | 26908PSLA   |
| <b>Material:</b>    | Diecast Aluminum Alloy  |
| <b>Screw Type:</b>  | M3.5 x 6 taptite screws (Includes 4)<br>(Screws accept POZIDRIV No.2 screwdriver) |



[www.hammondmfg.com](http://www.hammondmfg.com)