

# Translucent Polycarbonate (1591 Series)

Plastic



## KEY FEATURES

- Electronic instrument enclosures, designed for mounting printed circuit boards.
- Ideally suited for modern styling or where internal components need to be visible.
- Molded in flame retardant translucent polycarbonate (material carries a UL flammability rating of 94V-0).
- Integral card guides accept 1.5 mm (0.062") P.C. cards.
- Lap joint construction provides protection against access of dust and splashing water.
- Designed to meet IP54
- Molded from translucent, ice blue or infrared translucent red polycarbonate. Visit our web site for color & detail photos of each part.
- Lid is secured with M3 x 10 mm Philips machine screws, threaded into tapped integral brass bushings.

## ACCESSORIES



### P.C. Board Card Adaptors

Allows horizontal mounting of P.C. board(s). See "Accessories Section" for full details!

- 1591Z6** - Package of 6
- 1591Z50** - Package of 50
- 1591Z100** - Package of 100



### Flange Kits

Mount to either the rear (using glue) or can be attached to the lid using existing lid screws and holes. See "Accessories Section" for full details!



### Replacement Screws

Machine screws, nickel plated, M3 - 0.5 x 10mm

- 1591MS100** - Package of 100



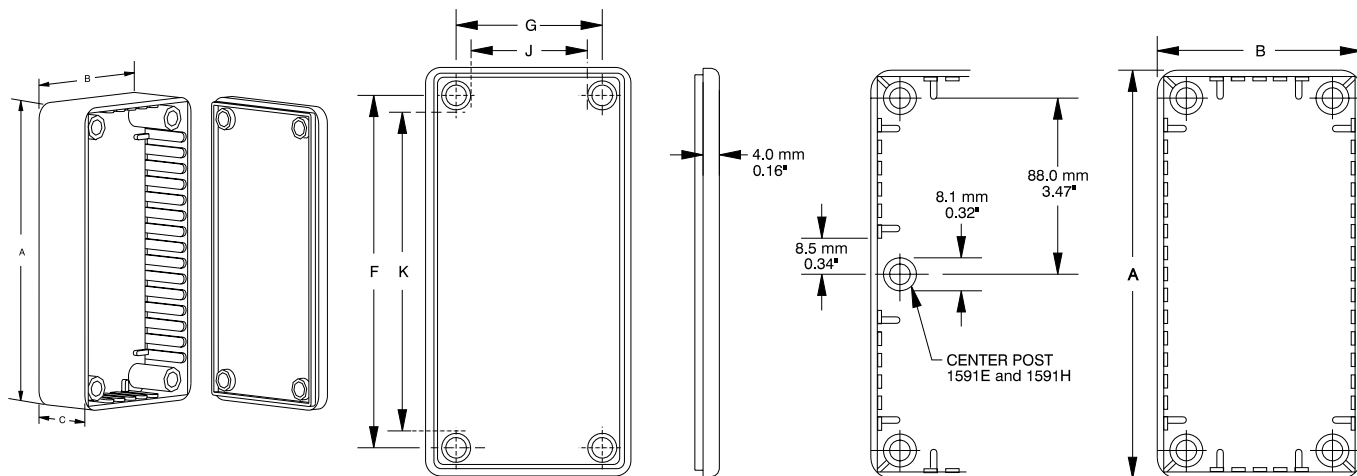
### Belt or Pocket Clip

Molded from tough nylon, includes 2 nylon screws and mounting template.

- 1599CLIP** - Black
- 1599CLIPGY** - Grey

# Translucent Polycarbonate (1591 Series)

Plastic

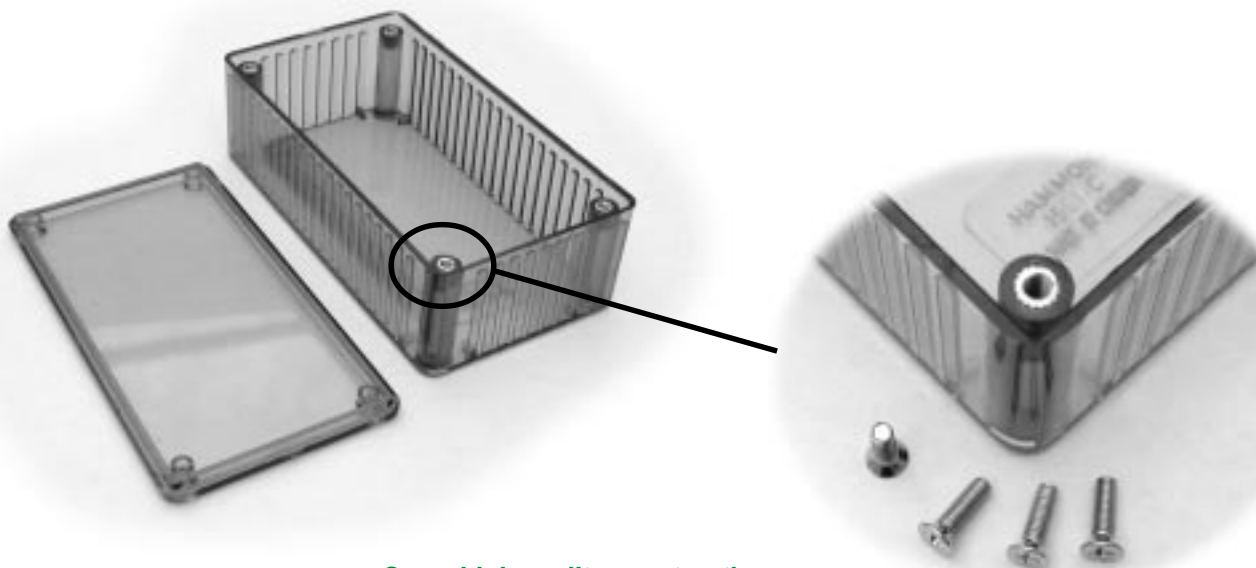


Lid (Inside & Edge View)

Top View

Part Number		Units	Dimensions					P.C. Card Clearance	
Ice Blue	IR Red		A	B	C (No Lid)	F	G	J	K
1591ATBU	1591ATRD	inch mm	3.9 100	2.0 50	0.8 21	3.4 86	1.4 36	1.1 29	3.1 79
1591BTBU	1591BTRD	inch mm	4.4 112	2.4 62	1.1 27	3.9 98	1.9 48	1.6 41	3.5 91
1591CTBU	1591CTRD	inch mm	4.7 120	2.6 65	1.4 36	4.2 106	2.0 51	1.7 44	3.9 99
1591DTBU	1591DTRD	inch mm	5.9 150	3.2 80	1.8 46	5.4 136	2.6 66	2.3 59	5.0 129
1591ETBU	1591ETRD	inch mm	7.5 191	4.3 110	2.2 57	6.9 176	3.8 96	3.5 89	6.6 170

**NOTES:** - Assembled height = dimension "C" + 0.16" (4.0 mm)  
 - Average wall thickness: 0.06" (1.5 mm)



*Same high quality construction as our  
 ABS plastic series (brass inserts & machine screws)  
 for repetitive assembly & disassembly...*



Hammond Manufacturing Co. Ltd.  
 394 Edinburgh Rd. North  
 Guelph, Ontario N1H 1E5 CANADA  
 © Phone: 519-822-2960 Fax: 519-822-0715



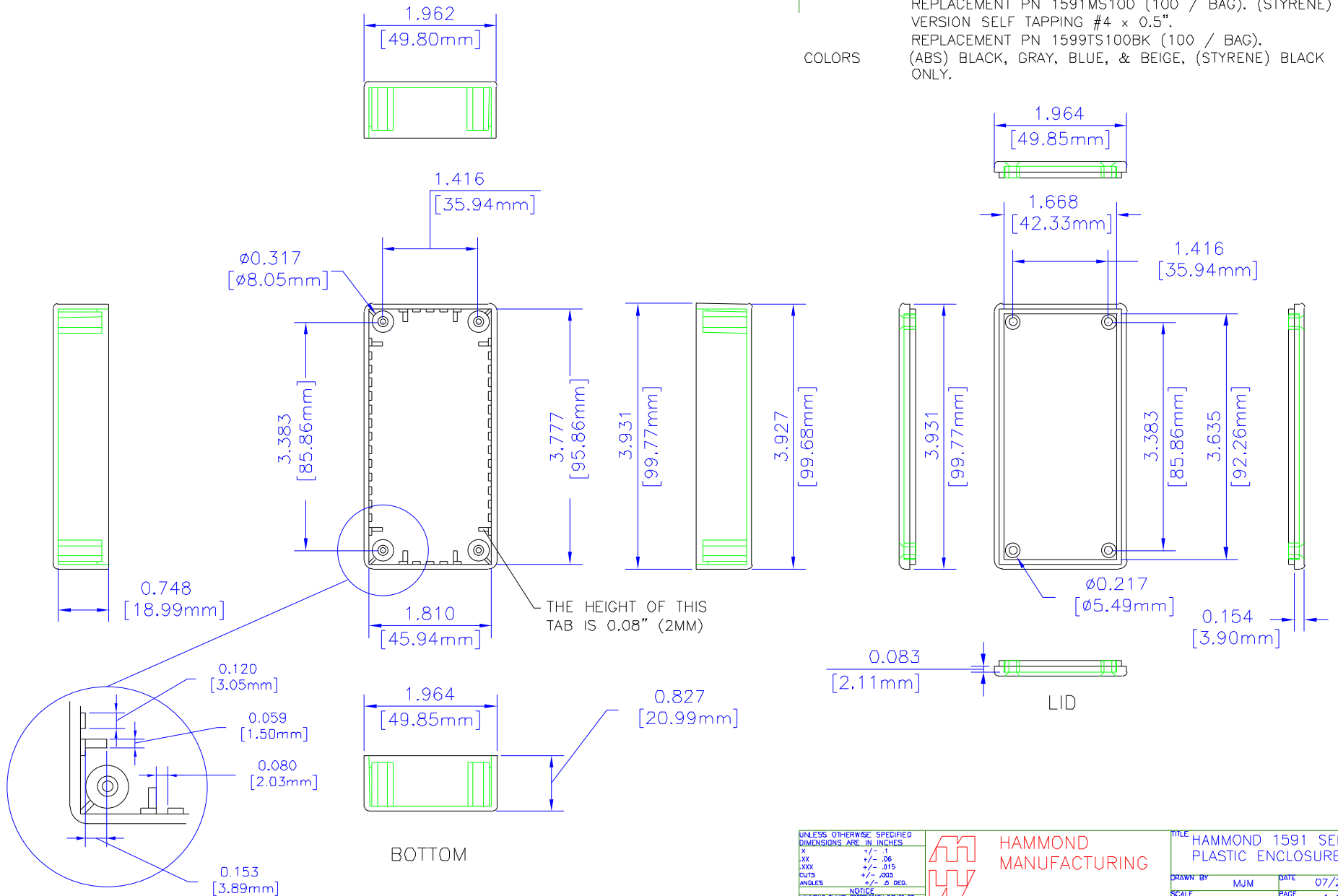
Hammond Manufacturing Co. Inc.  
 256 Sonwil Dr.  
 Cheektowaga, NY 14225 USA  
 Phone: 716-651-0086 Fax: 716-651-0726

# NOTES

**MATERIAL** (ABS) FLAME RETARDANT UL94 VO MATERIAL WITH BRASS INSERTS IN CORNER POSTS.  
(STYRENE) IS NON-FLAME RETARDANT WITHOUT BRASS INSERTS.

**PARTS** (ABS) VERSION MACHINE SCREWS M3-0.5 x 10mm.  
REPLACEMENT PN 1591MS100 (100 / BAG). (STYRENE) VERSION SELF TAPPING #4 x 0.5".  
REPLACEMENT PN 1599TS100BK (100 / BAG).

**COLORS** (ABS) BLACK, GRAY, BLUE, & BEIGE, (STYRENE) BLACK ONLY.



UNLESS OTHERWISE SPECIFIED  
DIMENSIONS ARE IN INCHES  
X +/- .1  
XX +/- .06  
XXX +/- .015  
CUTS +/- .003  
ANGLES +/- 0 DEG.

NOTICE  
HAMMOND CLAIMS PROPRIETARY RIGHTS TO  
THE MATERIAL OF THIS DRAWING. IT IS  
INTENDED TO BE USED AS A REFERENCE FOR  
ENGINEERING INFORMATION ONLY. THIS  
INFORMATION MAY NOT BE USED TO  
MANUFACTURE PRODUCT WITHOUT WRITTEN  
PERMISSION FROM HAMMOND MANUFACTURING.



**HAMMOND  
MANUFACTURING**

WEB: [WWW.HAMMONDMFG.COM](http://WWW.HAMMONDMFG.COM)

TITLE HAMMOND 1591 SERIES  
PLASTIC ENCLOSURE

DRAWN BY MJM DATE 07/25/00

SCALE PAGE 1 OF 1

PART NUMBER 1591A