

# Hand Held (1599 Series)

Plastic

Recessed top panel for membrane display or pad...

P.C. card standoffs and vertical card guides molded in...

Flame retardant ABS version includes wear resistant brass bushings...

Flame retardant ABS version includes four machine screws (polystyrene are self-tapping)...

Long life battery door option with our "three snap" location door...

## OTHER KEY FEATURES

- Attractively styled and ergonomically designed for use as a "hand-held" instrument enclosure.
- Lap joint construction provides protection against access of dust and splashing water.
- Extra deep top and ultra shallow base are specifically designed to enhance the aesthetics of the enclosure and provide the user with flexibility and assembly efficiency.
- Designed to meet IP54.
- Accessory screws for mounting P.C. boards into standoffs P/N **1593ATS50** (qty. 50), P/N **1593ATS100** (qty. 100).
- Two keyhole knockouts are molded into the inside of the base to facilitate wall mounting installation.

### Fire Retardant ABS Plastic

Part Number	See Size Chart	Color	Battery Door	Belt Clip	Shielded
<b>1599BBK</b>	1599B	Black	-	-	-
<b>1599BGY</b>	1599B	Grey	-	-	-
<b>1599RBBK</b>	1599B	Black	-	-	Yes
<b>1599BBKBAT</b>	1599B	Black	Yes	-	-
<b>1599BGYBAT</b>	1599B	Grey	Yes	-	-
<b>1599BBKCP</b>	1599B	Black	-	Yes	-
<b>1599BGYCP</b>	1599B	Grey	-	Yes	-
<b>1599BBKBATCP</b>	1599B	Black	Yes	Yes	-
<b>1599BGYBATCP</b>	1599B	Grey	Yes	Yes	-
<b>1599EBK</b>	1599E	Black	-	-	-
<b>1599EGY</b>	1599E	Grey	-	-	-
<b>1599REBK</b>	1599E	Black	-	-	Yes
<b>1599EBKBAT</b>	1599E	Black	Yes	-	-
<b>1599EGYBAT</b>	1599E	Grey	Yes	-	-
<b>1599HBK</b>	1599H	Black	-	-	-
<b>1599HGY</b>	1599H	Grey	-	-	-
<b>1599RHBK</b>	1599H	Black	-	-	Yes
<b>1599HBKBAT</b>	1599H	Black	Yes	-	-
<b>1599HGYBAT</b>	1599H	Grey	Yes	-	-
<b>1599KBK</b>	1599K	Black	-	-	-
<b>1599KGY</b>	1599K	Grey	-	-	-
<b>1599KBKBAT</b>	1599K	Black	Yes	-	-
<b>1599KGYBAT</b>	1599K	Grey	Yes	-	-

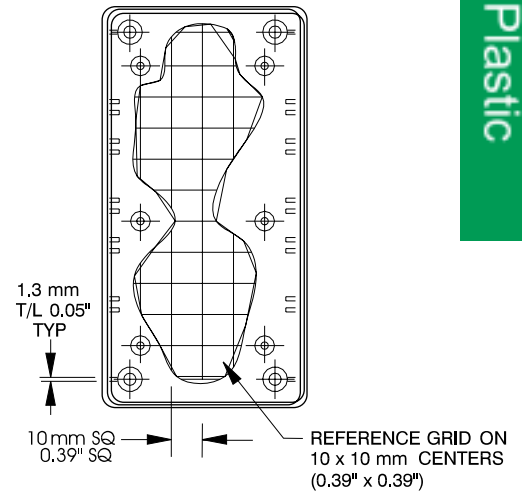
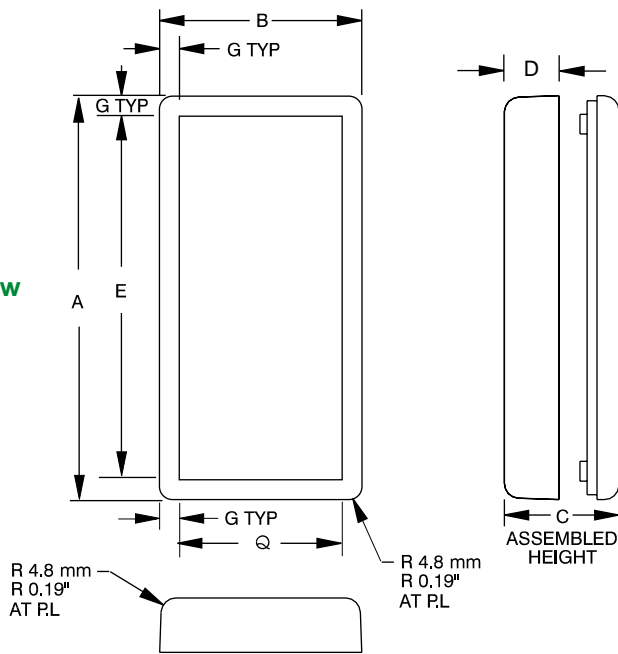
### Polystyrene

Part Number	See Size Chart	Color	Battery Door
<b>1599BSGY</b>	1599B	Grey	-
<b>1599BSGYBAT</b>	1599B	Grey	Yes
<b>1599ESGY</b>	1599E	Grey	-
<b>1599ESGYBAT</b>	1599E	Grey	Yes
<b>1599HSGY</b>	1599H	Grey	-
<b>1599HSGYBAT</b>	1599H	Grey	Yes
<b>1599KSGY</b>	1599K	Grey	-
<b>1599KSGYBAT</b>	1599K	Grey	Yes

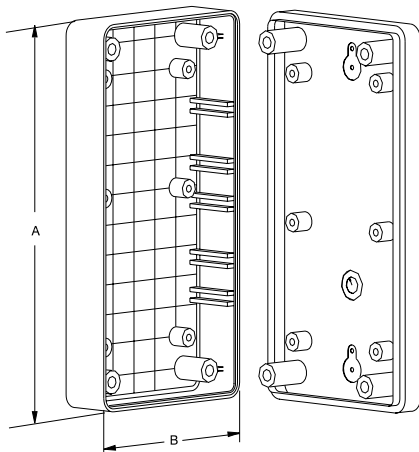
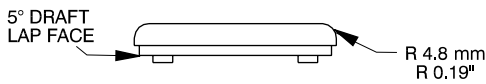
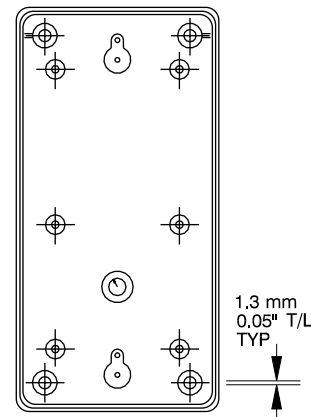
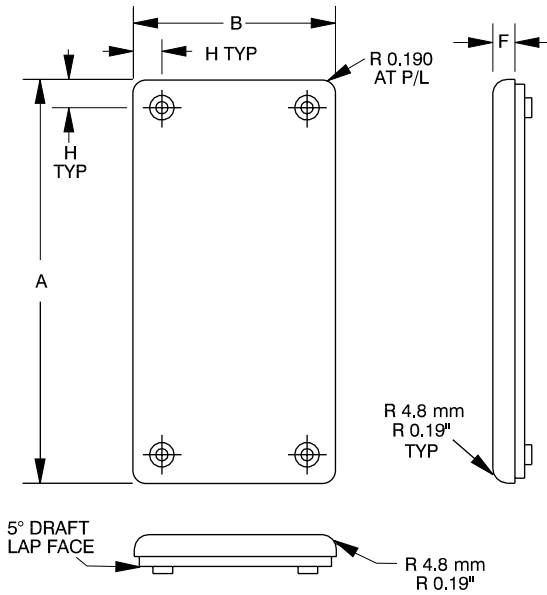
# Hand Held (1599 Series)

Plastic

Body View



Lid View



## SIZE CHART

Part Number	Units	Dimensions							
		A	B	C	D	F	G	Q	E
1599B	inch	5.12	2.56	0.98	0.69	.28	.24	2.06	4.62
	mm	130	65	25	17.5	7	6	52.2	117.2
1599E	inch	6.7	3.35	1.33	1.02	.31	.24	2.81	6.16
	mm	170	85	34	26	8	6	71	157
1599H	inch	8.66	4.33	1.73	1.38	.35	.24	3.73	8.06
	mm	220	110	44	35	9	6	94.8	204.8
1599K	inch	8.66	5.51	1.58	1.19	.35	.24	4.98	8.11
	mm	220	140	40	30	9	6	126	206



Hammond Manufacturing Co. Ltd.  
394 Edinburgh Rd. North  
Guelph, Ontario N1H 1E5 CANADA  
© Phone: 519-822-2960 Fax: 519-822-0715



Hammond Manufacturing Co. Inc.  
256 Sonwil Dr.  
Cheektowaga, NY 14225 USA  
Phone: 716-651-0086 Fax: 716-651-0726

# Accessories (1599 Series)

## ACCESSORIES

Plastic



### Replacement Screws for ABS

Machine screw, used in flame retardant ABS 1599B series (ie...with brass inserts).

M3 - 0.5 x 20 mm

**1594MS100** - Package of 100

Machine screw, used in flame retardant ABS 1599E, H & K series (ie...with brass inserts).

M3 - 0.5 x 10 mm

**1591MS100** - Package of 100



### Replacement Screws for Polystyrene

Self-tapping type, used in polystyrene 1599BS series (ie...no brass inserts).

# 4 x 3/4"

**1599BTS100** - Package of 100

Self-tapping type, used in polystyrene 1599ES, HS & KS series (ie...no brass inserts). # 4 x 5/8"

**1598TS100** - Package of 100

### Battery Holder Kits

- Designed for our battery door enclosures.
- Kits include all the parts required to install the battery or batteries.
- Kit includes the battery holder, wires, divider and foam anti-rattle pad.

Part Number	Battery holder kit for:	Fits Battery Door Enclosure Size:
<b>BH1AAWKIT</b>	1 AA Cell	B and E
<b>BH2AAWKIT</b>	2 AA Cells	B and E
<b>BH1AAAWKIT</b>	1 AAA Cell	B and E
<b>BH2AAAWKIT</b>	2 AAA Cells	B and E
<b>BH3AAAWKIT</b>	3 AAA Cells	E size only
<b>BH4AAAWKIT</b>	4 AAA Cells	E size only
<b>BS61KIT</b>	1 - 9V Cell	B and E

Nylon screws for electrical insulation and strength...



High strength nylon clip for belt or pocket...

### Belt or Pocket Clip (for hand held)

Molded from tough nylon, includes 2 nylon screws and mounting template.

Black - **1599CLIP**

Grey - **1599CLIPGY**

### P.C. Board Mounting Screws

Self-tapping type, used for bosses in the 1599 series for P.C. board installation. # 4 x 1/4" (6.4 mm)

**1593ATS50** - Package of 50

**1593ATS100** - Package of 100



### Battery Dividers (for hand held)

Grey ABS plastic panel barriers which insert vertically into the P.C. card guides of the 1599B series.

**1599BD5** - Package of 5

**1599BD100** - Package of 100

Grey ABS plastic panel barriers which insert vertically into the P.C. card guides of the 1599E series.

**1599ED5** - Package of 5

**1599ED100** - Package of 100

Grey ABS plastic panel barriers which insert vertically into the P.C. card guides of the 1599H series.

**1599HD5** - Package of 5

**1599HD100** - Package of 100



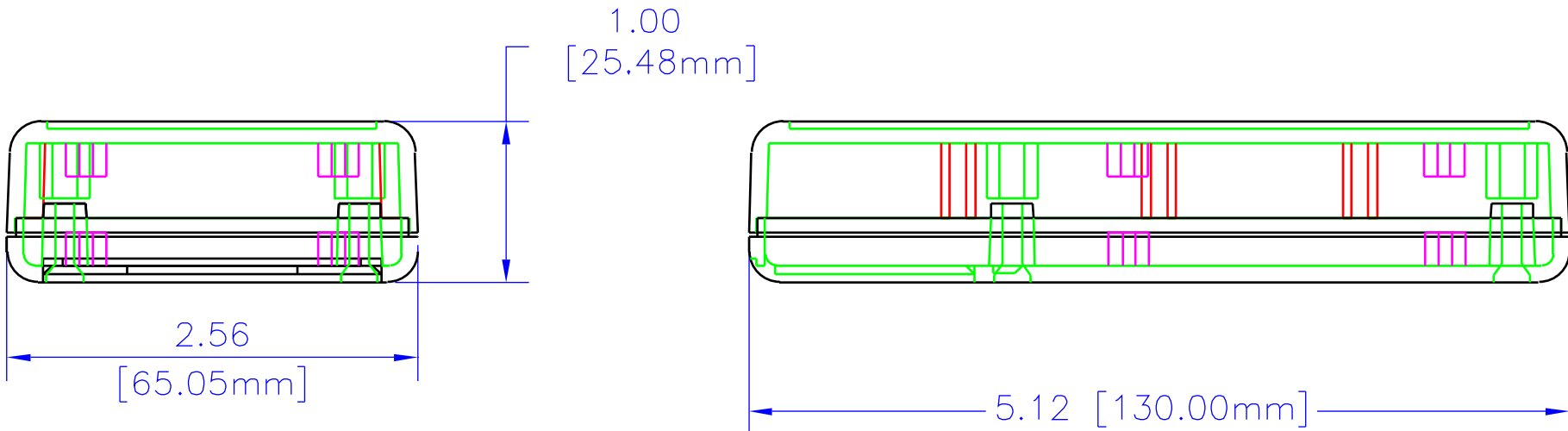
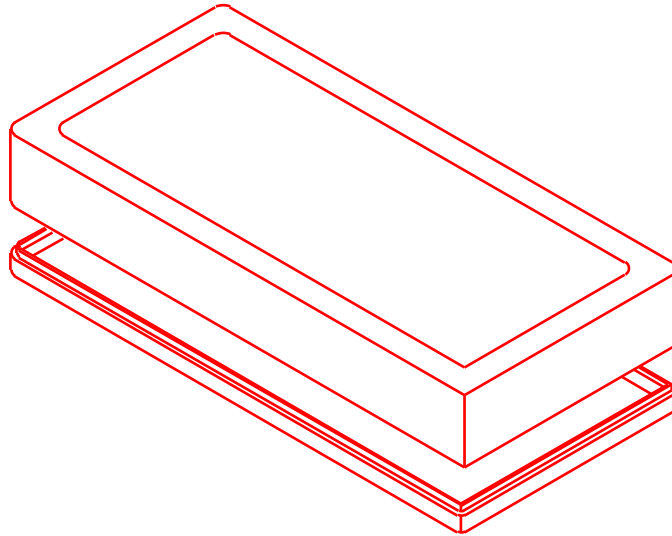
REV	DESCRIPTION	DATE

## NOTES

**MATERIAL** (ABS) FLAME RETARDANT UL94 VO MATERIAL WITH BRASS INSERTS IN CORNER POSTS, (STYRENE) IS NON-FLAME RETARDANT WITHOUT BRASS INSERTS,

**PARTS** (ABS) VERSION MACHINE SCREWS M3-0.5 x 28mm, REPLACEMENT PN 1599HMS100 (100 / BAG), (STYRENE) VERSION SELF TAPPING #4 x 1.3125", REPLACEMENT PN 1599HTS100 (100 / BAG),

**COLORS** (ABS) BLACK, & GRAY, (STYRENE) GRAY ONLY,



ASSEMBLED

UNLESS OTHERWISE SPECIFIED  
DIMENSIONS ARE IN INCHES  
X +/- .1  
XX +/- .02  
XXX +/- .015  
DITS +/- .005  
ANGLES +/- .5 DEG.  
NOTES  
HAMMOND CLAIMS PROPRIETARY RIGHTS TO THE MATERIAL ON THIS DRAWING. IT IS INTENDED TO BE USED AS A REFERENCE FOR REORDERING INFORMATION ONLY. THIS INFORMATION MAY NOT BE USED TO MANUFACTURE PRODUCTS WITHOUT WRITTEN PERMISSION FROM HAMMOND MANUFACTURING.

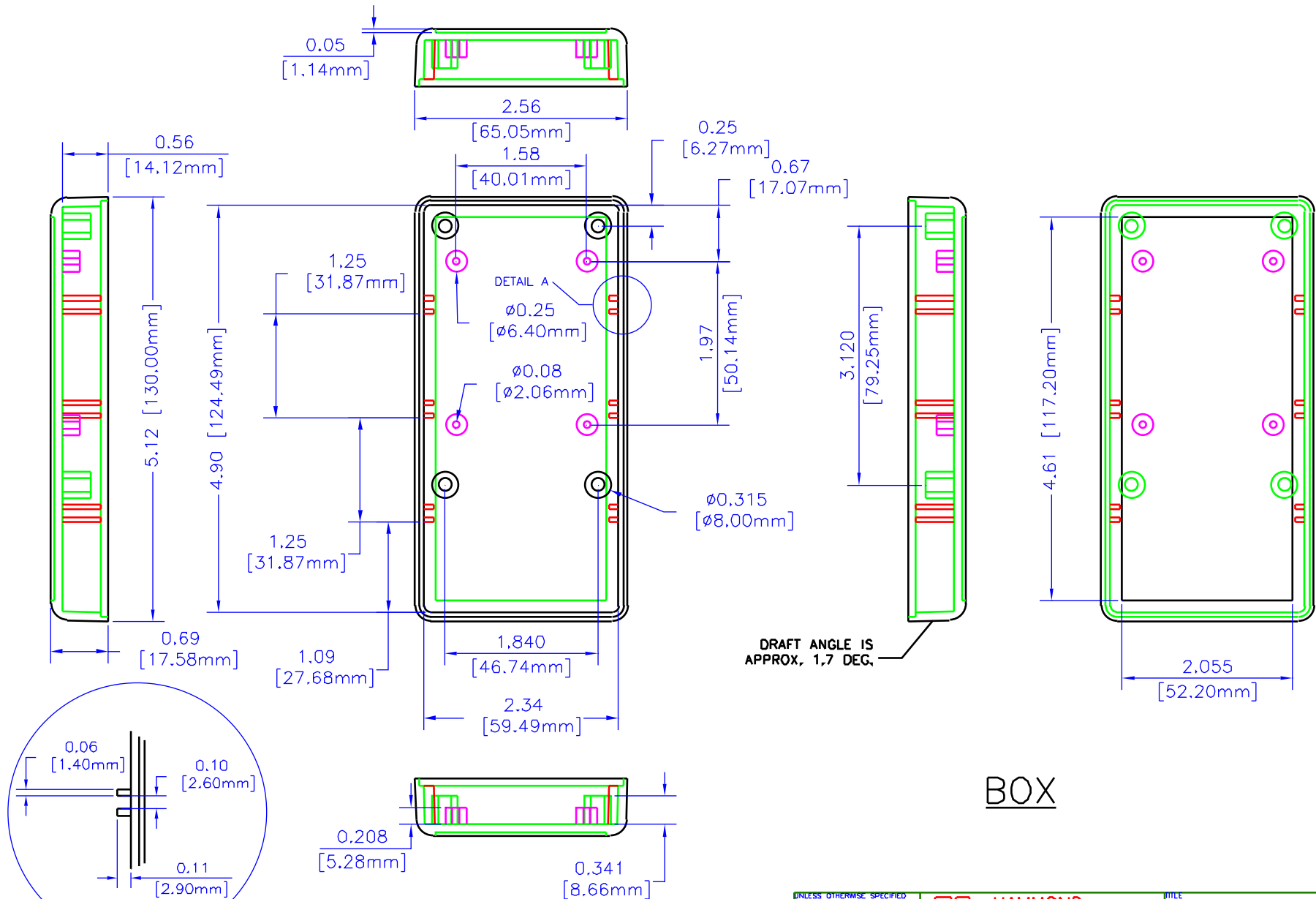


**HAMMOND  
MANUFACTURING**

WEB: [WWW.HAMMONDMFG.COM](http://WWW.HAMMONDMFG.COM)

TITLE  
HAMMOND 1599 SERIES  
PLASTIC ENCLOSURE  
DRAWN BY MJM DATE 07/30/01  
SCALE PAGE 1 OF 3  
PART NUMBER  
1599BBAT

# NOTES



**BOX**

DETAIL A

UNLESS OTHERWISE SPECIFIED  
DIMENSIONS ARE IN INCHES  
X +/- .1  
XX +/- .02  
XXX +/- .015  
SLITS +/- .005  
ANGLES +/- .5 DEG.

NOTICE  
HAMMOND MANUFACTURING HAS RESERVED ALL RIGHTS TO THE MATERIAL OF THIS DRAWING. IT IS INTENDED TO BE USED AS A REFERENCE FOR ENGINEERING INFORMATION ONLY. THIS INFORMATION MAY NOT BE USED TO MANUFACTURE PRODUCTS WITHOUT WRITTEN PERMISSION FROM HAMMOND MANUFACTURING.



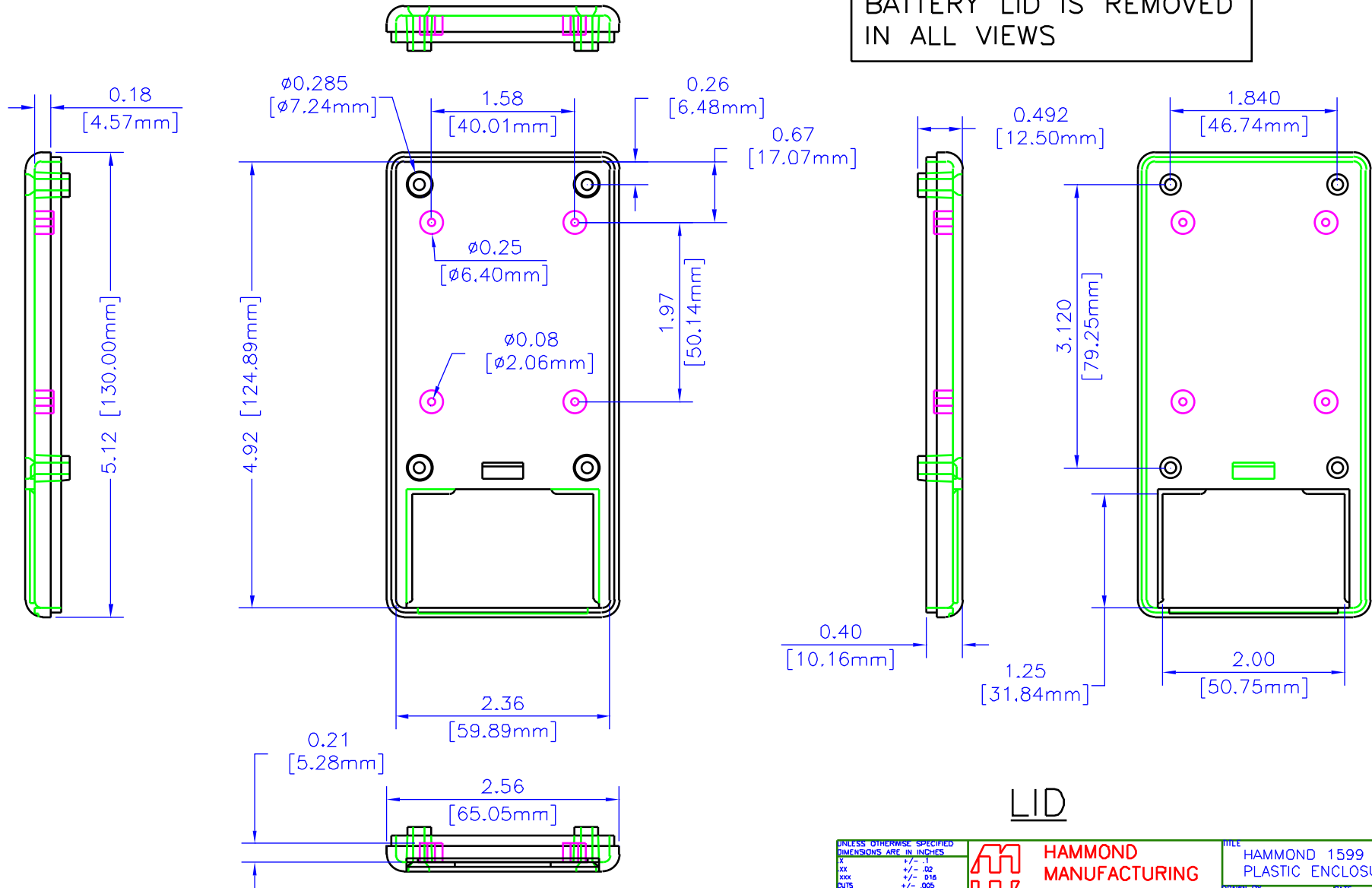
**HAMMOND  
MANUFACTURING**

WEB: [WWW.HAMMONDMFG.COM](http://WWW.HAMMONDMFG.COM)

TITLE		HAMMOND 1599 SERIES PLASTIC ENCLOSURE	
DRAWN BY	MJM	DATE	07/30/01
SCALE		PAGE	2 OF 3
PART NUMBER	1599BBAT		

NOTES

BATTERY LID IS REMOVED  
IN ALL VIEWS



LID

UNLESS OTHERWISE SPECIFIED  
DIMENSIONS ARE IN INCHES  
XX +/- .1  
XXX +/- .02  
XXXX +/- .015  
DITS +/- .005  
ANGLES +/- .5 DEG.



**HAMMOND  
MANUFACTURING**

WEB: [WWW.HAMMONDMFG.COM](http://WWW.HAMMONDMFG.COM)

TITLE		HAMMOND 1599 SERIES PLASTIC ENCLOSURE	
DRAWN BY	MJM	DATE	07/30/01
SCALE		PAGE	3 OF 3
PART NUMBER		1599BBAT	