

Translucent Polycarbonate (1591 Series)

Plastic



KEY FEATURES

- Electronic instrument enclosures, designed for mounting printed circuit boards.
- Ideally suited for modern styling or where internal components need to be visible.
- Molded in flame retardant translucent polycarbonate (material carries a UL flammability rating of 94V-0).
- Integral card guides accept 1.5 mm (0.062") P.C. cards.
- Lap joint construction provides protection against access of dust and splashing water.
- Designed to meet IP54
- Molded from translucent, ice blue or infrared translucent red polycarbonate. Visit our web site for color & detail photos of each part.
- Lid is secured with M3 x 10 mm Philips machine screws, threaded into tapped integral brass bushings.

ACCESSORIES



P.C. Board Card Adaptors

Allows horizontal mounting of P.C. board(s). **See "Accessories Section" for full details!**

- 1591Z6** - Package of 6
- 1591Z50** - Package of 50
- 1591Z100** - Package of 100



Flange Kits

Mount to either the rear (using glue) or can be attached to the lid using existing lid screws and holes. **See "Accessories Section" for full details!**



Replacement Screws

Machine screws, nickel plated, M3 - 0.5 x 10mm
1591MS100 - Package of 100

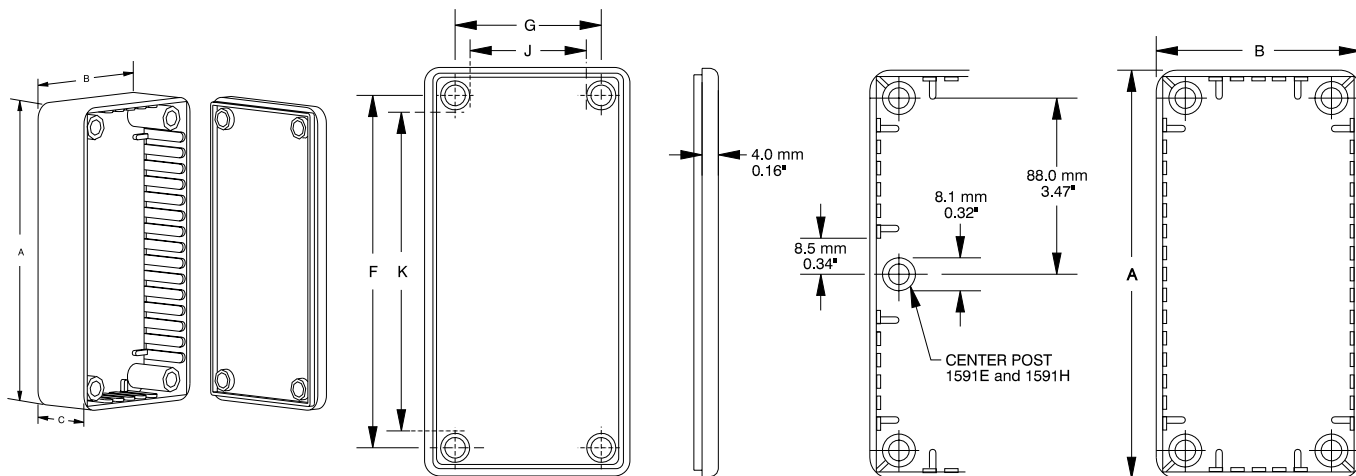


Belt or Pocket Clip

Molded from tough nylon, includes 2 nylon screws and mounting template.
1599CLIP - Black
1599CLIPGY - Grey

Translucent Polycarbonate (1591 Series)

Plastic

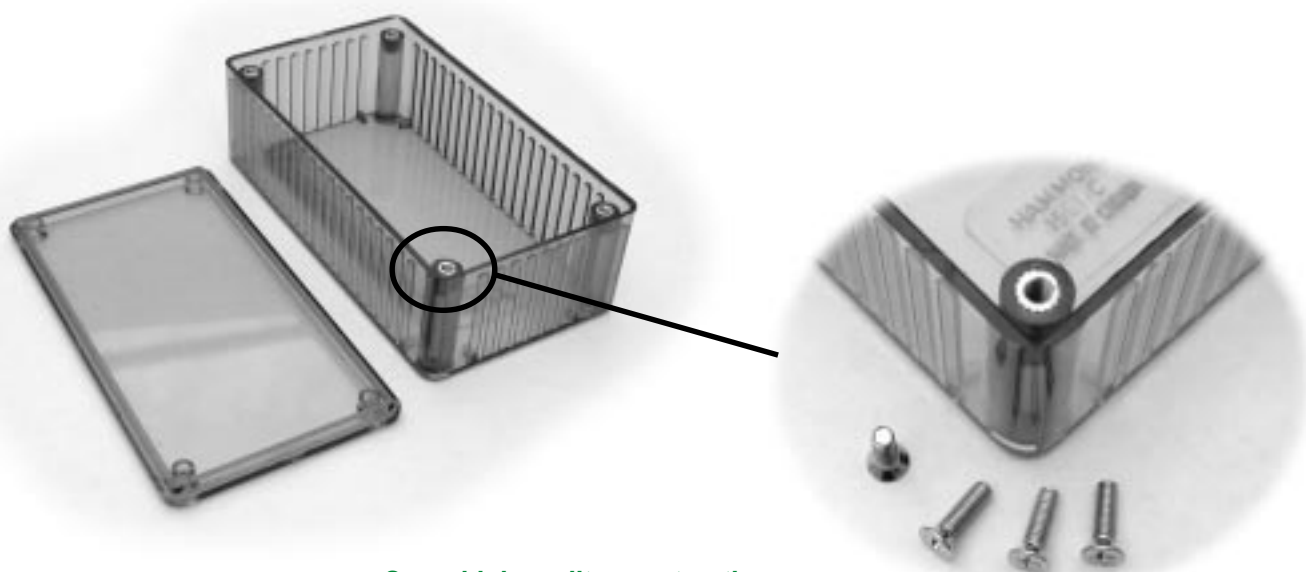


Lid (Inside & Edge View)

Top View

Part Number		Units	Dimensions					P.C. Card Clearance	
Ice Blue	IR Red		A	B	C (No Lid)	F	G	J	K
1591ATBU	1591ATRD	inch mm	3.9 100	2.0 50	0.8 21	3.4 86	1.4 36	1.1 29	3.1 79
1591BTBU	1591BTRD	inch mm	4.4 112	2.4 62	1.1 27	3.9 98	1.9 48	1.6 41	3.5 91
1591CTBU	1591CTRD	inch mm	4.7 120	2.6 65	1.4 36	4.2 106	2.0 51	1.7 44	3.9 99
1591DTBU	1591DTRD	inch mm	5.9 150	3.2 80	1.8 46	5.4 136	2.6 66	2.3 59	5.0 129
1591ETBU	1591ETRD	inch mm	7.5 191	4.3 110	2.2 57	6.9 176	3.8 96	3.5 89	6.6 170

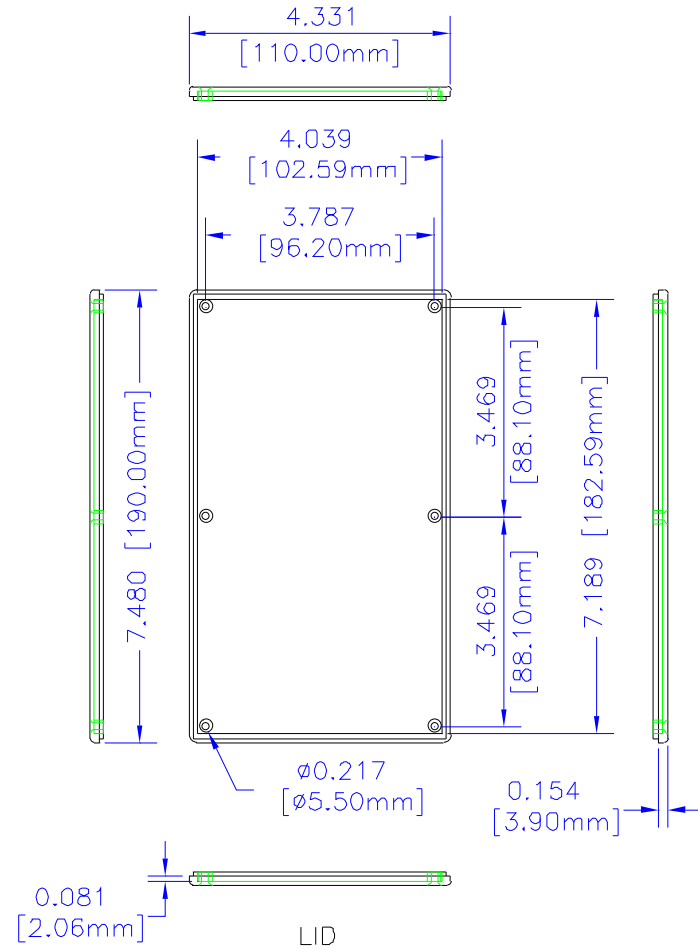
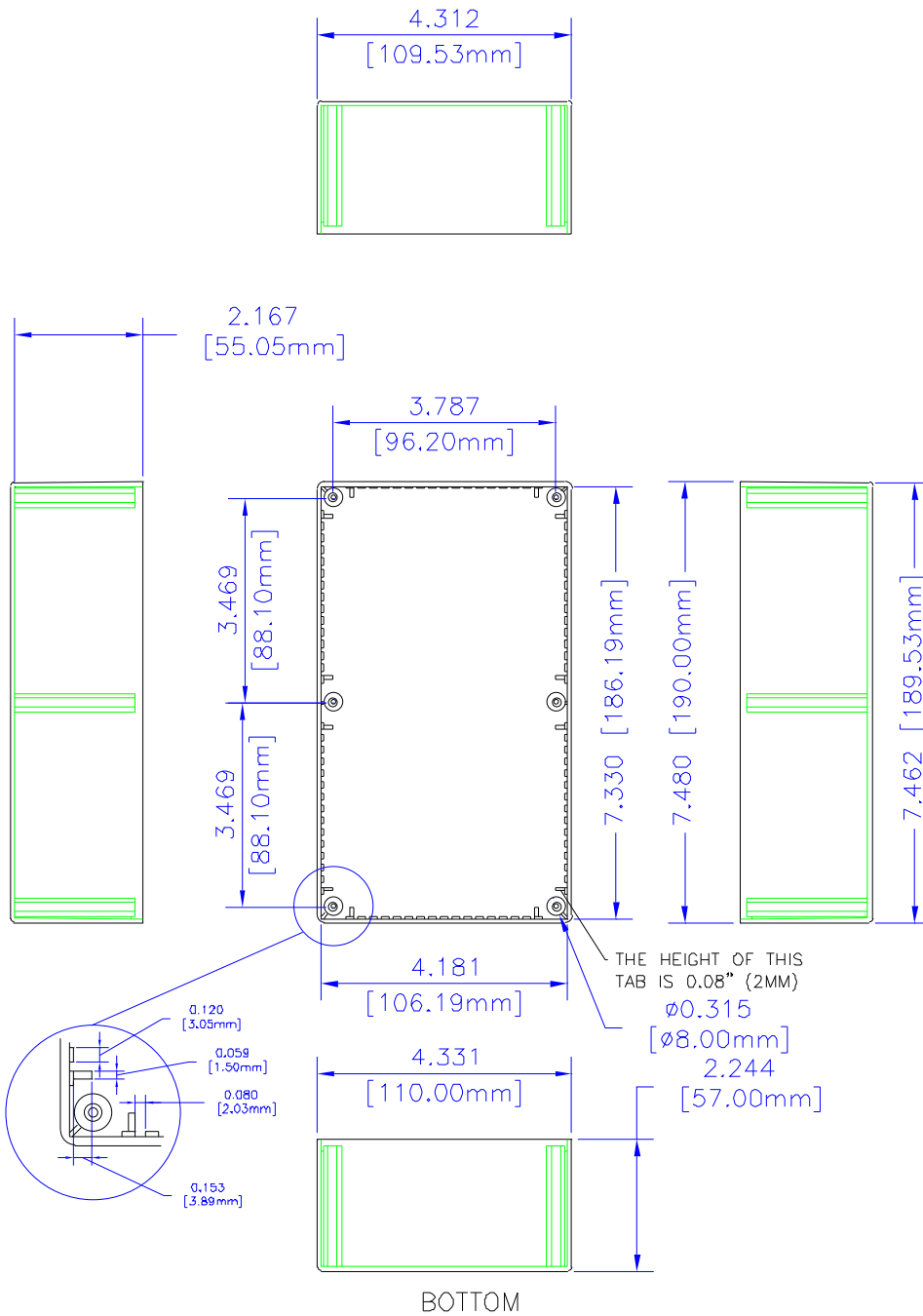
NOTES: - Assembled height = dimension "C" + 0.16" (4.0 mm)
 - Average wall thickness: 0.06" (1.5 mm)



Same high quality construction as our
 ABS plastic series (brass inserts & machine screws)
 for repetitive assembly & disassembly...

NOTES

- MATERIAL** (ABS) FLAME RETARDANT UL94 VO MATERIAL WITH BRASS INSERTS IN CORNER POSTS.
(STYRENE) IS NON-FLAME RETARDANT WITHOUT BRASS INSERTS.
- PARTS** (ABS) VERSION MACHINE SCREWS M3-0.5 x 10mm.
REPLACEMENT PN 1591MS100 (100 / BAG). (STYRENE) VERSION SELF TAPPING #4 x 0.5".
REPLACEMENT PN 1599TS100BK (100 / BAG).
- COLORS** (ABS) BLACK, GRAY, BLUE, & BEIGE, (STYRENE) BLACK ONLY.



UNLESS OTHERWISE SPECIFIED
DIMENSIONS ARE IN INCHES
X +/- .1
XX +/- .06
XXX +/- .015
CLTS +/- .003
ANGLES +/- .5 DEG

NOTICE
HAMDON CLAIMS PROPRIETARY RIGHTS TO THE MATERIAL ON THIS DRAWING. IT IS INTENDED TO BE USED AS A REFERENCE FOR ENGINEERING INFORMATION ONLY. THIS INFORMATION MAY NOT BE USED TO MANUFACTURE PRODUCTS WITHOUT WRITTEN PERMISSION FROM HAMMOND MANUFACTURING.



**HAMMOND
MANUFACTURING**

WEB: WWW.HAMMONDMFG.COM

TITLE HAMMOND 1591 SERIES
PLASTIC ENCLOSURE

DRAWN BY MJM DATE 08/16/00

SCALE 1 OF 1

PART NUMBER 1591E