

Hand Held (1599 Series)

Plastic

Recessed top panel for membrane display or pad...

P.C. card standoffs and vertical card guides molded in...

Flame retardant ABS version includes wear resistant brass bushings...

Flame retardant ABS version includes four machine screws (polystyrene are self-tapping)...

Long life battery door option with our "three snap" location door...

OTHER KEY FEATURES

- Attractively styled and ergonomically designed for use as a "hand-held" instrument enclosure.
- Lap joint construction provides protection against access of dust and splashing water.
- Extra deep top and ultra shallow base are specifically designed to enhance the aesthetics of the enclosure and provide the user with flexibility and assembly efficiency.
- Designed to meet IP54.
- Accessory screws for mounting P.C. boards into standoffs P/N **1593ATS50** (qty. 50), P/N **1593ATS100** (qty. 100).
- Two keyhole knockouts are molded into the inside of the base to facilitate wall mounting installation.

Fire Retardant ABS Plastic

Part Number	See Size Chart	Color	Battery Door	Belt Clip	Shielded
1599BBK	1599B	Black	-	-	-
1599BGY	1599B	Grey	-	-	-
1599RBBK	1599B	Black	-	-	Yes
1599BBKBAT	1599B	Black	Yes	-	-
1599BGYBAT	1599B	Grey	Yes	-	-
1599BBKCP	1599B	Black	-	Yes	-
1599BGYCP	1599B	Grey	-	Yes	-
1599BBKBATCP	1599B	Black	Yes	Yes	-
1599BGYBATCP	1599B	Grey	Yes	Yes	-
1599EBK	1599E	Black	-	-	-
1599EGY	1599E	Grey	-	-	-
1599REBK	1599E	Black	-	-	Yes
1599EBKBAT	1599E	Black	Yes	-	-
1599EGYBAT	1599E	Grey	Yes	-	-
1599HBK	1599H	Black	-	-	-
1599HGY	1599H	Grey	-	-	-
1599RHBK	1599H	Black	-	-	Yes
1599HBKBAT	1599H	Black	Yes	-	-
1599HGYBAT	1599H	Grey	Yes	-	-
1599KBK	1599K	Black	-	-	-
1599KGY	1599K	Grey	-	-	-
1599KBKBAT	1599K	Black	Yes	-	-
1599KGYBAT	1599K	Grey	Yes	-	-

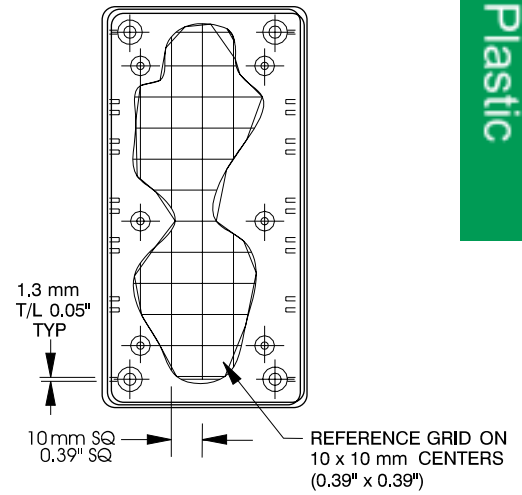
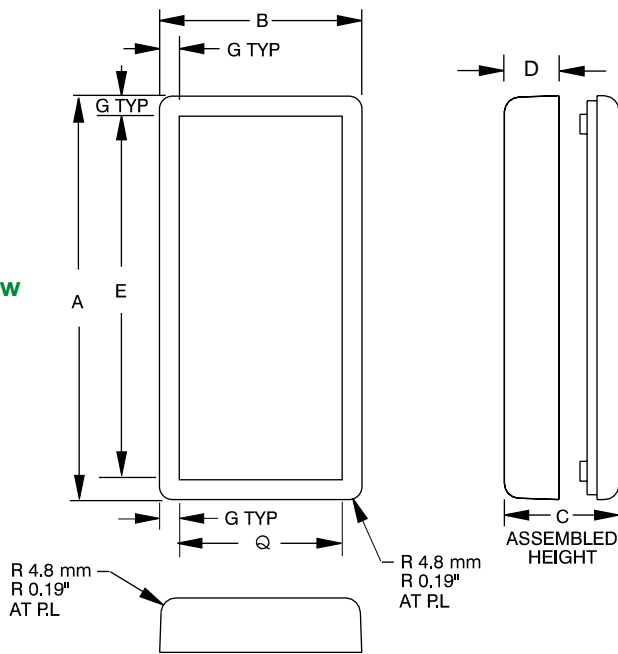
Polystyrene

Part Number	See Size Chart	Color	Battery Door
1599BSGY	1599B	Grey	-
1599BSGYBAT	1599B	Grey	Yes
1599ESGY	1599E	Grey	-
1599ESGYBAT	1599E	Grey	Yes
1599HSGY	1599H	Grey	-
1599HSGYBAT	1599H	Grey	Yes
1599KSGY	1599K	Grey	-
1599KSGYBAT	1599K	Grey	Yes

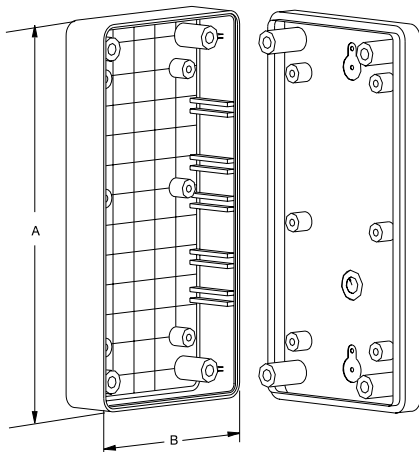
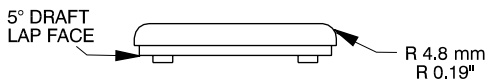
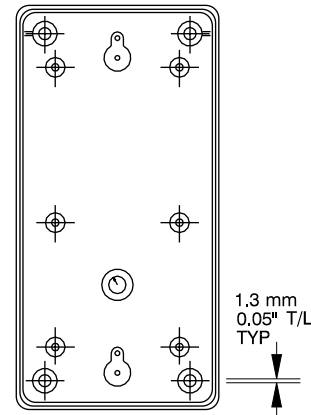
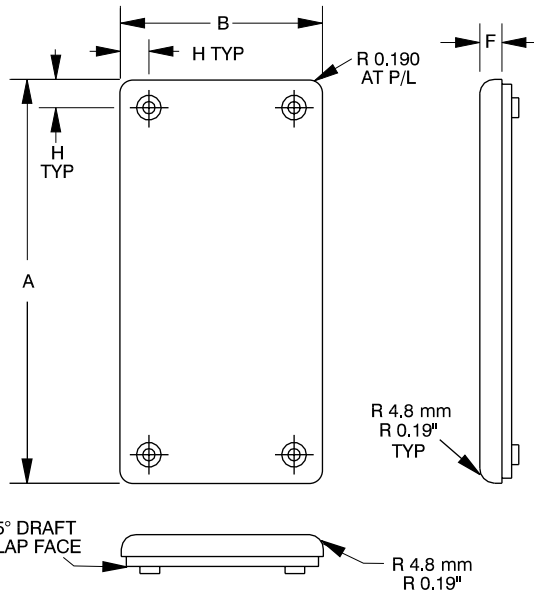
Hand Held (1599 Series)

Plastic

Body View



Lid View



SIZE CHART

Part Number	Units	Dimensions							
		A	B	C	D	F	G	Q	E
1599B	inch	5.12	2.56	0.98	0.69	.28	.24	2.06	4.62
	mm	130	65	25	17.5	7	6	52.2	117.2
1599E	inch	6.7	3.35	1.33	1.02	.31	.24	2.81	6.16
	mm	170	85	34	26	8	6	71	157
1599H	inch	8.66	4.33	1.73	1.38	.35	.24	3.73	8.06
	mm	220	110	44	35	9	6	94.8	204.8
1599K	inch	8.66	5.51	1.58	1.19	.35	.24	4.98	8.11
	mm	220	140	40	30	9	6	126	206



Hammond Manufacturing Co. Ltd.
394 Edinburgh Rd. North
Guelph, Ontario N1H 1E5 CANADA
© Phone: 519-822-2960 Fax: 519-822-0715



Hammond Manufacturing Co. Inc.
256 Sonwil Dr.
Cheektowaga, NY 14225 USA
Phone: 716-651-0086 Fax: 716-651-0726

Accessories (1599 Series)

ACCESSORIES

Plastic



Replacement Screws for ABS

Machine screw, used in flame retardant ABS 1599B series (ie...with brass inserts).

M3 - 0.5 x 20 mm

1594MS100 - Package of 100

Machine screw, used in flame retardant ABS 1599E, H & K series (ie...with brass inserts).

M3 - 0.5 x 10 mm

1591MS100 - Package of 100



Replacement Screws for Polystyrene

Self-tapping type, used in polystyrene 1599BS series (ie...no brass inserts).

4 x 3/4"

1599BTS100 - Package of 100

Self-tapping type, used in polystyrene 1599ES, HS & KS series (ie...no brass inserts). # 4 x 5/8"

1598TS100 - Package of 100

Battery Holder Kits

- Designed for our battery door enclosures.
- Kits include all the parts required to install the battery or batteries.
- Kit includes the battery holder, wires, divider and foam anti-rattle pad.

Part Number	Battery holder kit for:	Fits Battery Door Enclosure Size:
BH1AAWKIT	1 AA Cell	B and E
BH2AAWKIT	2 AA Cells	B and E
BH1AAAWKIT	1 AAA Cell	B and E
BH2AAAWKIT	2 AAA Cells	B and E
BH3AAAWKIT	3 AAA Cells	E size only
BH4AAAWKIT	4 AAA Cells	E size only
BS61KIT	1 - 9V Cell	B and E

Nylon screws for electrical insulation and strength...



High strength nylon clip for belt or pocket...

Belt or Pocket Clip (for hand held)

Molded from tough nylon, includes 2 nylon screws and mounting template.

Black - **1599CLIP**

Grey - **1599CLIPGY**

P.C. Board Mounting Screws

Self-tapping type, used for bosses in the 1599 series for P.C. board installation. # 4 x 1/4" (6.4 mm)

1593ATS50 - Package of 50

1593ATS100 - Package of 100



Battery Dividers (for hand held)

Grey ABS plastic panel barriers which insert vertically into the P.C. card guides of the 1599B series.

1599BD5 - Package of 5

1599BD100 - Package of 100

Grey ABS plastic panel barriers which insert vertically into the P.C. card guides of the 1599E series.

1599ED5 - Package of 5

1599ED100 - Package of 100

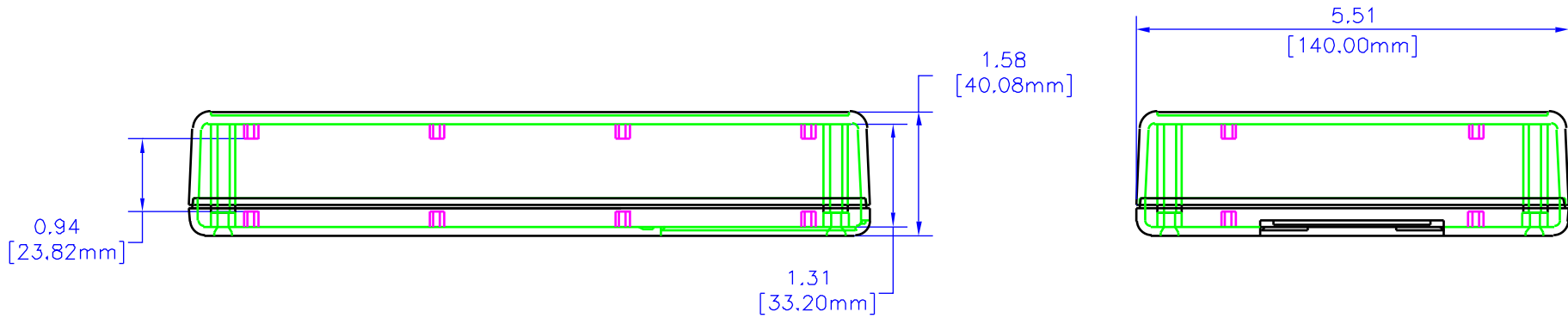
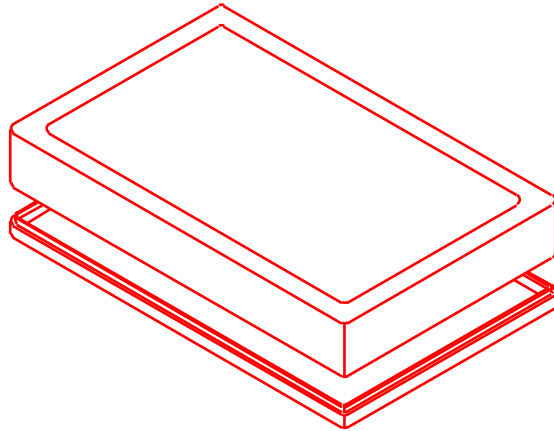
Grey ABS plastic panel barriers which insert vertically into the P.C. card guides of the 1599H series.

1599HD5 - Package of 5

1599HD100 - Package of 100



REV	DESCRIPTION	DATE
A	REVISED SIDE HOLE LOCATIONS; ADDED MATERIAL DEPTH DETAIL.	08/14/01



ASSEMBLED

NOTES

- MATERIAL** (ABS) FLAME RETARDANT UL94 V0 MATERIAL WITH BRASS INSERTS IN CORNER POSTS.
(STYRENE) IS NON-FLAME RETARDANT WITHOUT BRASS INSERTS.
- PARTS** (ABS) VERSION MACHINE SCREWS M3-0.5 x 10mm, REPLACEMENT PN 1591MS100 (100 / BAG), (STYRENE) VERSION SELF TAPPING #4 x 0.5", REPLACEMENT PN 1591TS100 (100 / BAG).
- COLORS** (ABS) BLACK, & GRAY, (STYRENE) GRAY ONLY.

UNLESS OTHERWISE SPECIFIED
DIMENSIONS ARE IN INCHES

F	+/- .1
XX	+/- .02
XXX	+/- .015
DITS	+/- .005
ANGLES	+/- .5 DEG

NOTES:
HAMMOND CLEARS PROPRIETARY RIGHTS TO THE MATERIAL ON THIS DRAWING. IT IS INTENDED TO BE USED AS A REFERENCE FOR ENGINEERING INFORMATION ONLY. THIS INFORMATION MAY NOT BE USED TO MANUFACTURE PRODUCT WITHOUT WRITTEN PERMISSION FROM HAMMOND MANUFACTURING.



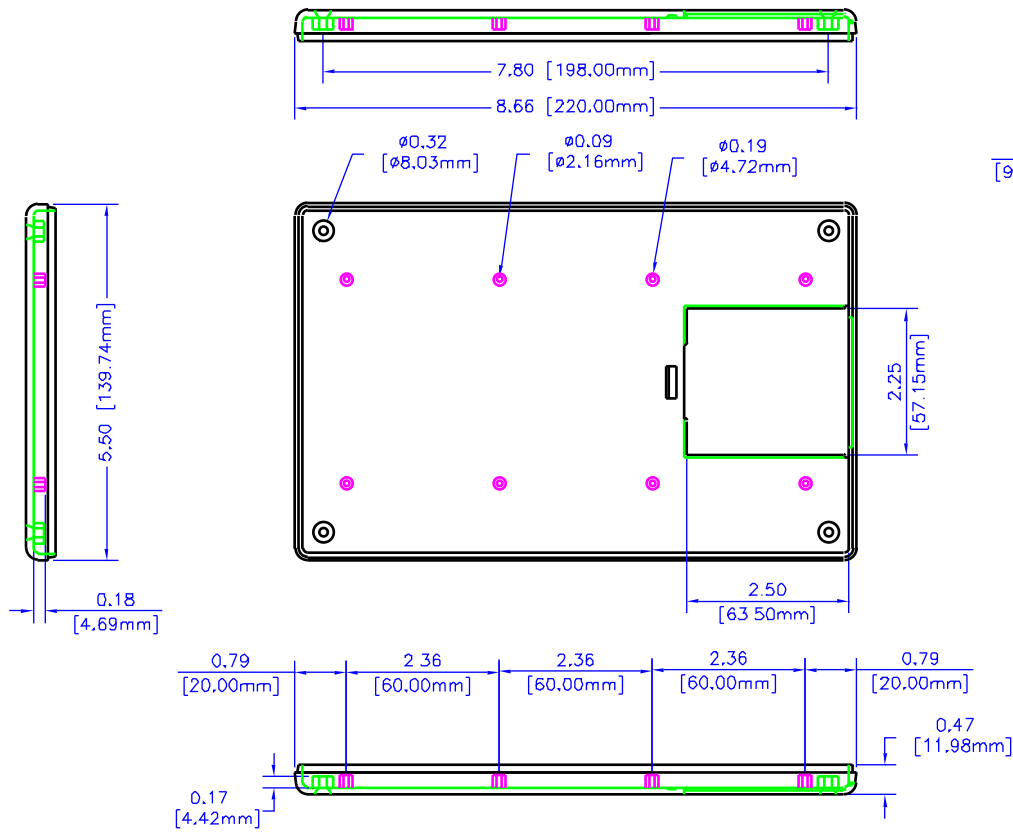
**HAMMOND
MANUFACTURING**

WEB: WWW.HAMMONDMFG.COM

TITLE HAMMOND 1599 SERIES PLASTIC ENCLOSURE	
DRAWN BY MJM	DATE 07/06/01
SCALE	PAGE 1 OF 3
PART NUMBER 1599KBAT	

NOTES

BATTERY LID IS REMOVED
IN ALL VIEWS



BOTTOM

UNLESS OTHERWISE SPECIFIED
DIMENSIONS ARE IN INCHES
X +/- .1
XX +/- .02
XXX +/- .015
CUTS +/- .005
ANGLES +/- 5 DEG
SCALE



**HAMMOND
MANUFACTURING**

WEB: WWW.HAMMONDMFG.COM

TITLE		HAMMOND 1599 SERIES PLASTIC ENCLOSURE	
DRAWN BY	MJM	DATE	07/06/01
SCALE		PAGE	3 OF 3
PART NUMBER		1599KBAT	