

Translucent Polycarbonate (1591 Series)

Plastic



KEY FEATURES

- Electronic instrument enclosures, designed for mounting printed circuit boards.
- Ideally suited for modern styling or where internal components need to be visible.
- Molded in flame retardant translucent polycarbonate (material carries a UL flammability rating of 94V-0).
- Integral card guides accept 1.5 mm (0.062") P.C. cards.
- Lap joint construction provides protection against access of dust and splashing water.
- Designed to meet IP54
- Molded from translucent, ice blue or infrared translucent red polycarbonate. Visit our web site for color & detail photos of each part.
- Lid is secured with M3 x 10 mm Philips machine screws, threaded into tapped integral brass bushings.

ACCESSORIES



P.C. Board Card Adaptors

Allows horizontal mounting of P.C. board(s). See "Accessories Section" for full details!

- 1591Z6** - Package of 6
- 1591Z50** - Package of 50
- 1591Z100** - Package of 100



Flange Kits

Mount to either the rear (using glue) or can be attached to the lid using existing lid screws and holes. See "Accessories Section" for full details!



Replacement Screws

Machine screws, nickel plated, M3 - 0.5 x 10mm

- 1591MS100** - Package of 100



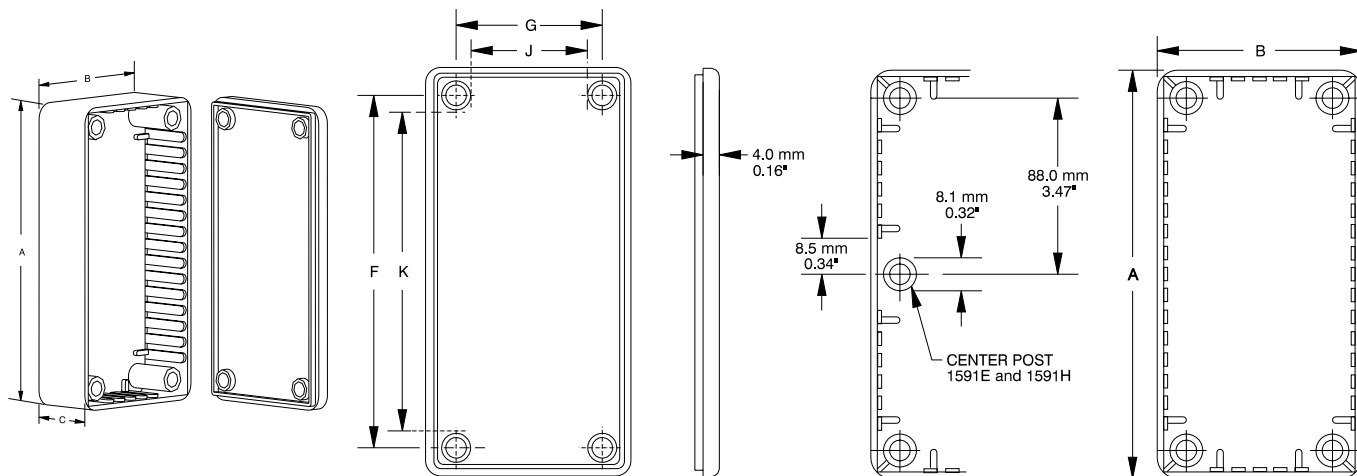
Belt or Pocket Clip

Molded from tough nylon, includes 2 nylon screws and mounting template.

- 1599CLIP** - Black
- 1599CLIPGY** - Grey

Translucent Polycarbonate (1591 Series)

Plastic

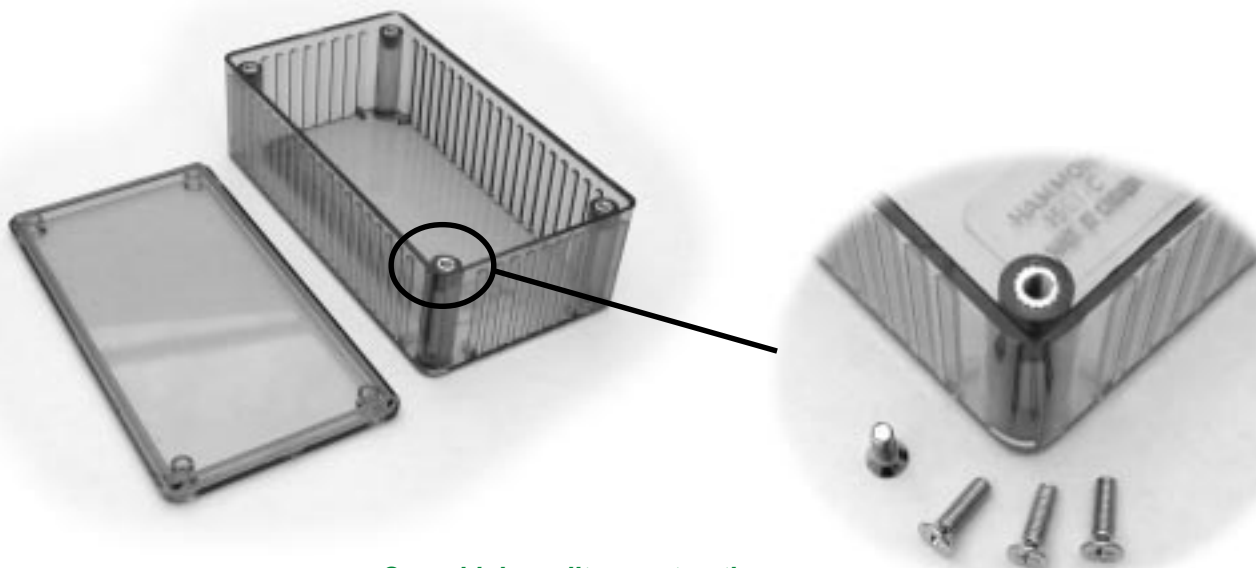


Lid (Inside & Edge View)

Top View

| Part Number | | Units | Dimensions | | | | | P.C. Card Clearance | |
|-------------|----------|------------|------------|------------|------------|------------|-----------|---------------------|------------|
| Ice Blue | IR Red | | A | B | C (No Lid) | F | G | J | K |
| 1591ATBU | 1591ATRD | inch mm | 3.9 100 | 2.0 50 | 0.8 21 | 3.4 86 | 1.4 36 | 1.1 29 | 3.1 79 |
| 1591BTBU | 1591BTRD | inch mm | 4.4 112 | 2.4 62 | 1.1 27 | 3.9 98 | 1.9 48 | 1.6 41 | 3.5 91 |
| 1591CTBU | 1591CTRD | inch mm | 4.7 120 | 2.6 65 | 1.4 36 | 4.2 106 | 2.0 51 | 1.7 44 | 3.9 99 |
| 1591DTBU | 1591DTRD | inch mm | 5.9 150 | 3.2 80 | 1.8 46 | 5.4 136 | 2.6 66 | 2.3 59 | 5.0 129 |
| 1591ETBU | 1591ETRD | inch mm | 7.5 191 | 4.3 110 | 2.2 57 | 6.9 176 | 3.8 96 | 3.5 89 | 6.6 170 |

NOTES: - Assembled height = dimension "C" + 0.16" (4.0 mm)
 - Average wall thickness: 0.06" (1.5 mm)



Same high quality construction as our
 ABS plastic series (brass inserts & machine screws)
 for repetitive assembly & disassembly...



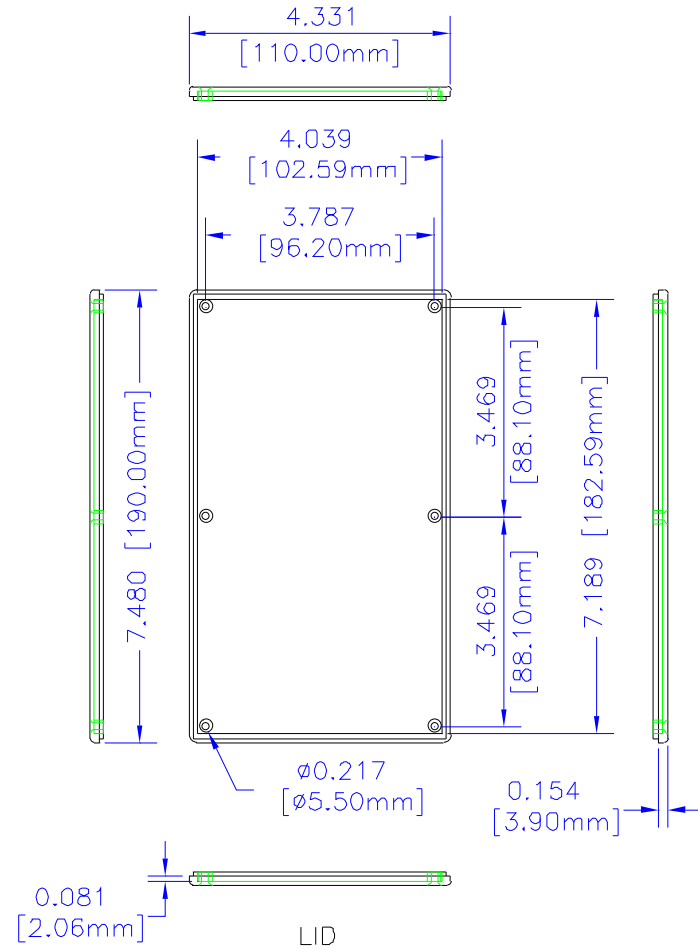
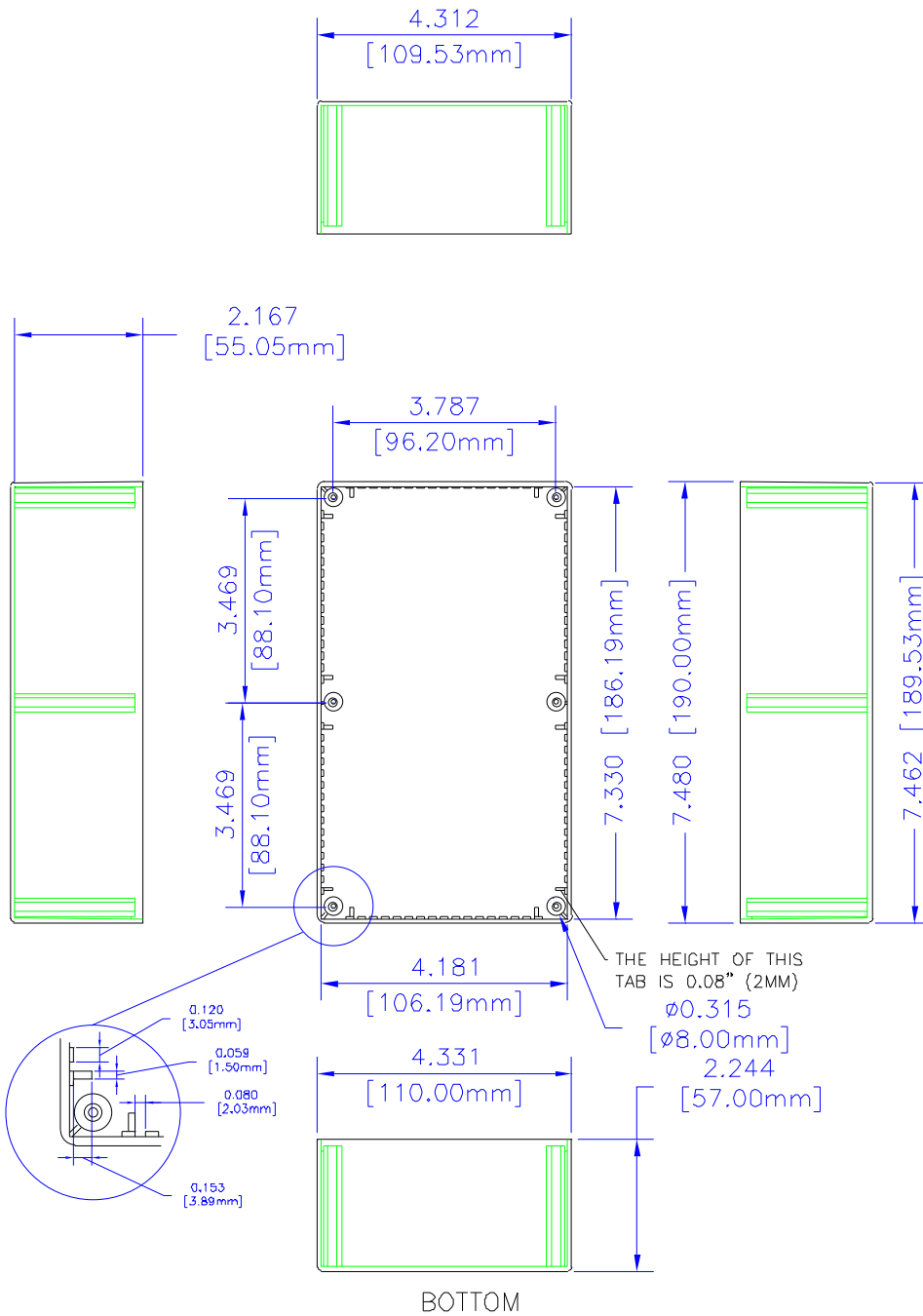
Hammond Manufacturing Co. Ltd.
 394 Edinburgh Rd. North
 Guelph, Ontario N1H 1E5 CANADA
 © Phone: 519-822-2960 Fax: 519-822-0715



Hammond Manufacturing Co. Inc.
 256 Sonwil Dr.
 Cheektowaga, NY 14225 USA
 Phone: 716-651-0086 Fax: 716-651-0726

NOTES

- MATERIAL** (ABS) FLAME RETARDANT UL94 VO MATERIAL WITH BRASS INSERTS IN CORNER POSTS.
(STYRENE) IS NON-FLAME RETARDANT WITHOUT BRASS INSERTS.
- PARTS** (ABS) VERSION MACHINE SCREWS M3-0.5 x 10mm.
REPLACEMENT PN 1591MS100 (100 / BAG). (STYRENE) VERSION SELF TAPPING #4 x 0.5".
REPLACEMENT PN 1599TS100BK (100 / BAG).
- COLORS** (ABS) BLACK, GRAY, BLUE, & BEIGE, (STYRENE) BLACK ONLY.



UNLESS OTHERWISE SPECIFIED
DIMENSIONS ARE IN INCHES

X +/- .1

XX +/- .06

XXX +/- .015

CUTS +/- .003

ANGLES +/- .5 DEG

NOTICE

HAMMOND CLAIMS PROPRIETARY RIGHTS TO THE MATERIAL ON THIS DRAWING. IT IS INTENDED TO BE USED AS A REFERENCE FOR ENGINEERING INFORMATION ONLY. THIS INFORMATION MAY NOT BE USED TO MANUFACTURE PRODUCTS WITHOUT WRITTEN PERMISSION FROM HAMMOND MANUFACTURING.



**HAMMOND
MANUFACTURING**

WEB: WWW.HAMMONDMFG.COM

TITLE HAMMOND 1591 SERIES
PLASTIC ENCLOSURE

DRAWN BY MJM **DATE** 08/16/00

SCALE 1 OF 1

PART NUMBER 1591E