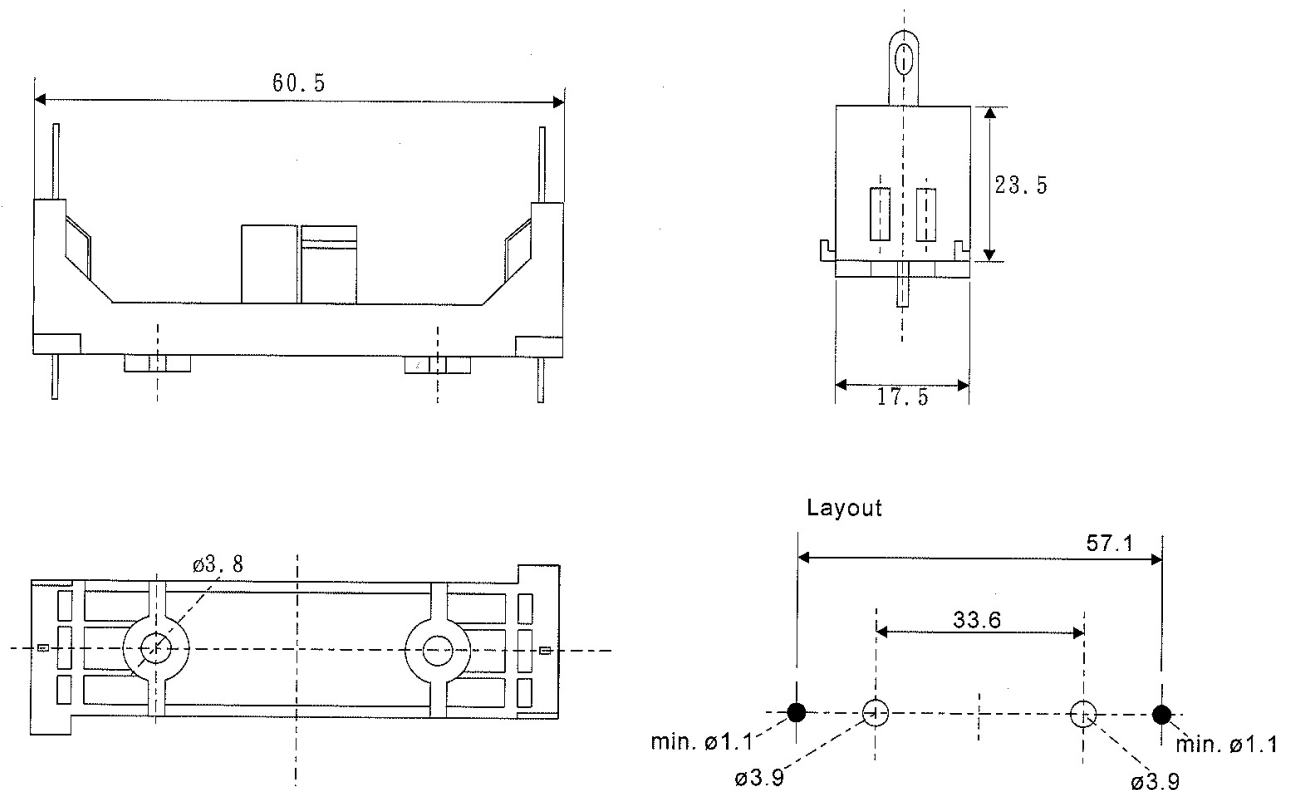


DATASHEET

Battery Holder for 1 "AA" cell Mount Type

Version 07/16

Item no. 522996



Dimension: mm +/- 0.3

Battery/No. of cell	AA Type/1 cell
Operating Temperature	- 30 ~ 80°C
Material Housing	PA66 94V-0, 15% fibreglass
Contact	Phosphor Bronze.

Distributed by Conrad Electronic SE

This data sheet is a publication by Conrad Electronic SE, Klaus-Conrad-Str. 1, D-92240 Hirschau (www.conrad.com). All rights including translation reserved. Reproduction by any method, e.g. photocopy, microfilming, or the capture in electronic data processing systems require the prior written approval by the editor. Reprinting, also in part, is prohibited. This data represent the technical status at the time of printing. Changes in technology and equipment reserved.

© Copyright 2016 by Conrad Electronic SE.