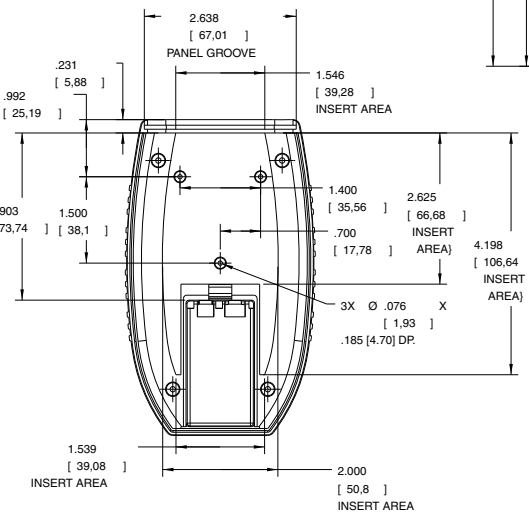
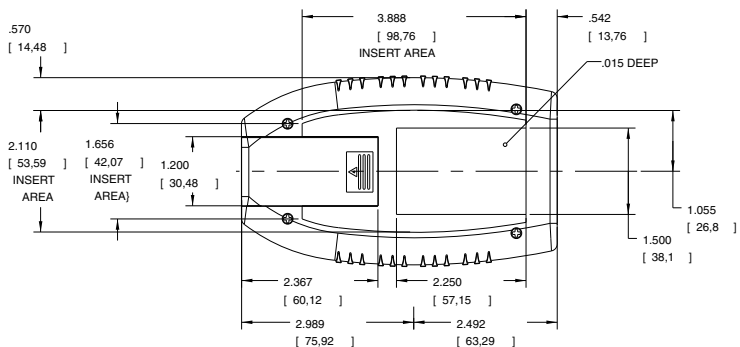
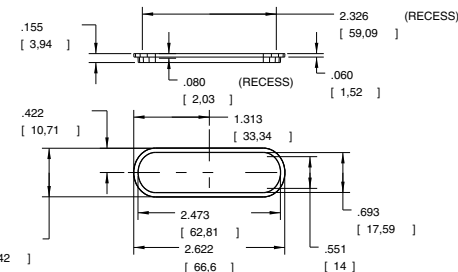


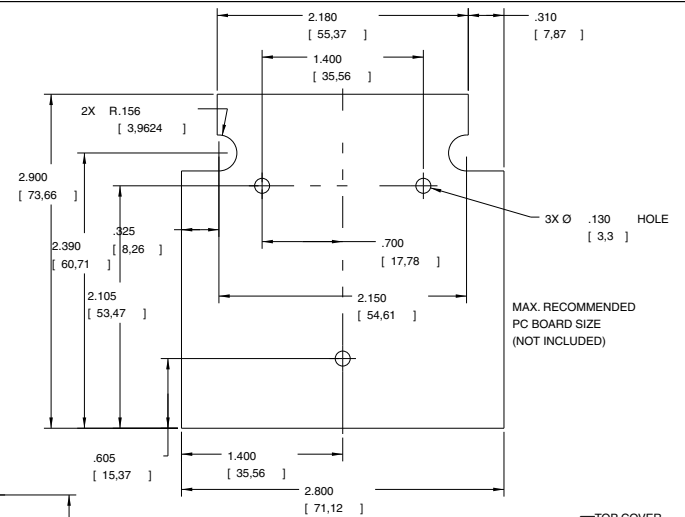
SECTION A-A



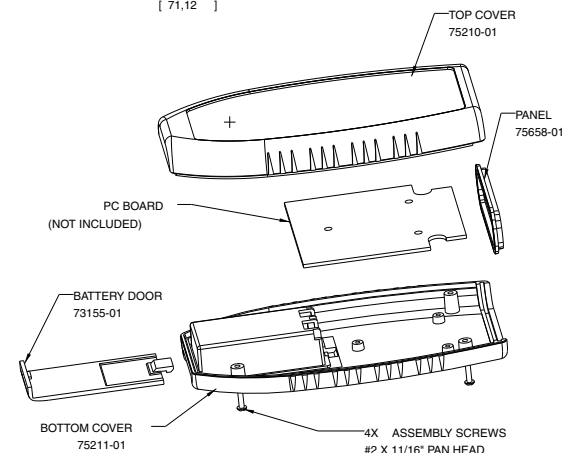
BOTTOM COVER - INTERIOR VIEW



BOTTOM COVER - EXTERIOR VIEW



MAX. RECOMMENDED
PC BOARD SIZE
(NOT INCLUDED)



PACNTEC[®]
1-610-361-4200

HRP-9VB

VISIT **PACNTEC[®]**
ON THE WORLD WIDE WEB
www.pactenclosures.com

PARTS NOT SHOWN:
POSITIVE BATTERY CLIP
NEGATIVE BATTERY CLIP

COLOR / MATERIAL CODE		
COLOR	94HB	94VO
BLACK	000	028
P.C.BONE	039	060

DRAWING NUMBER	REV
77849	A