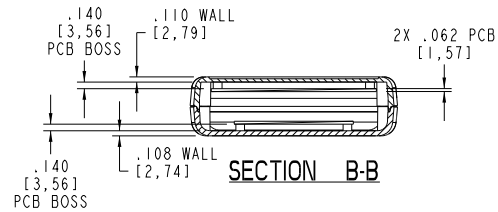
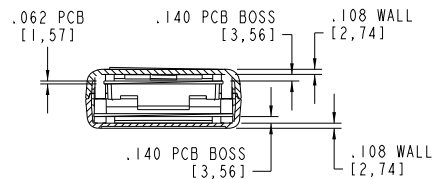


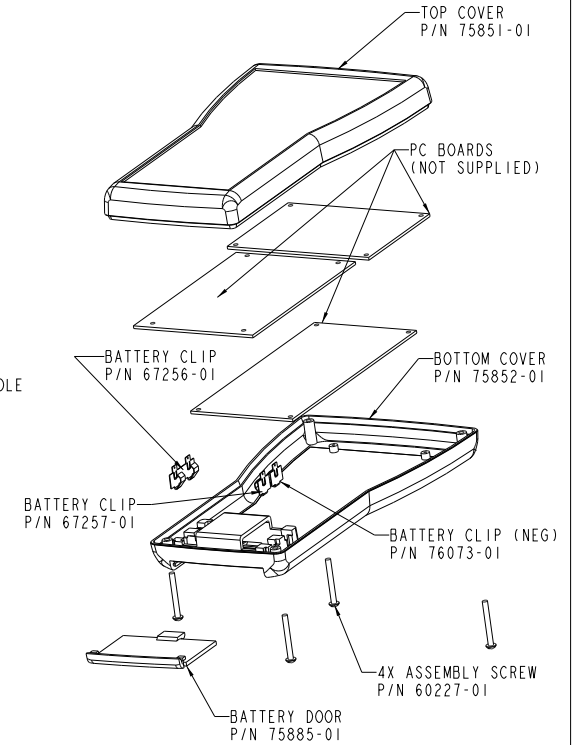
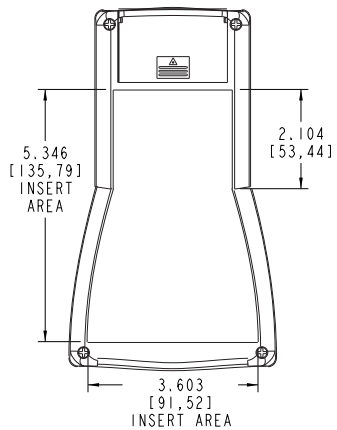
SECTION C-C



SECTION B-B



SECTION A-A



**PACINTEC®**  
1-610-361-4200

**TR-9VB/2AA**

VISIT **PACINTEC®**  
ON THE WORLD WIDE WEB  
[www.pacitecenclosures.com](http://www.pacitecenclosures.com)

COLOR / MATERIAL CODE		
COLOR	94HB	94VO
BLACK	000	028
P. C. BONE	039	060

DRAWING NUMBER	REV
78909	B