

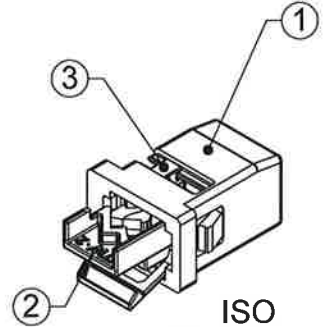
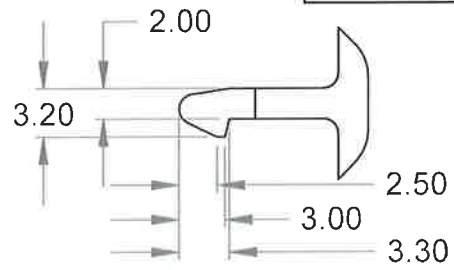
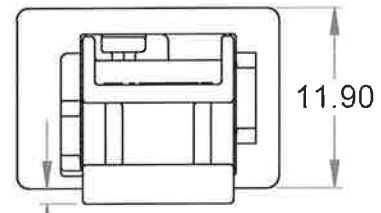
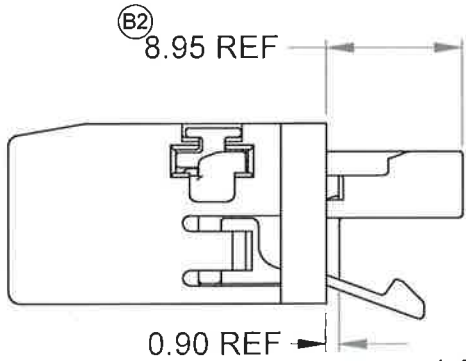
Note: This drawing is proprietary to Illinois Tool Works, Inc. (ITW) and is considered proprietary and confidential. No portion of this drawing may be reproduced or copied without written consent of ITW.

(B1)

(A1)

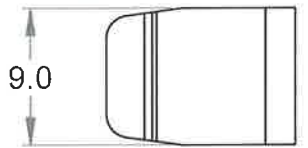
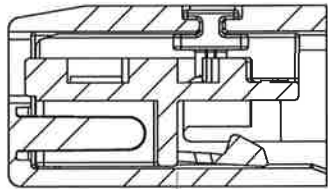
| ITEM NO. | DESCRIPTION | PART NO. | MATERIAL | DATE | LVL | REVISION RECORD | DWN |
|----------|-------------|-----------|-----------|-----------|-----|--|-----|
| 1 | HOUSING | 12-425947 | 10 GF PC | 13-Jun-05 | A | RELEASED FOR PRODUCTION | JB |
| 2 | GRIPPER | 12-425665 | POM | 2-Sep-05 | A1 | COMPONENT RE-NAMED | JB |
| 3 | FOLLOWER | 12-425302 | 33GF PA66 | 5-Oct-10 | B1 | HOUSING WAS 12-425666 | DC |
| | | | | 8-Mar-11 | B2 | NAME MODIFICATION, ADDITIONAL DIMENSIONS | MZ |
| | | | | 1-Nov-11 | C | DIMENSION MODIFICATIONS | MZ |
| | | | | 11-Nov-11 | D | 2nd GRIPPER CLICK RAMP REMOVED INTERNALLY, SILICONE GREASE ADDED INTO INTERNAL TRACK | MZ |

NOTE: DO NOT SCALE FROM PRINT



ISO SCALE 1:1

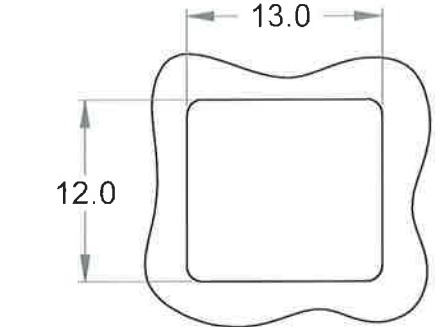
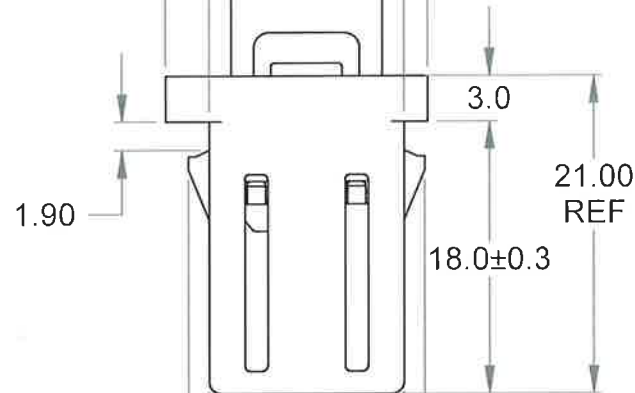
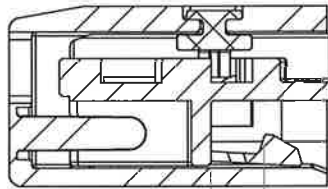
UNLATCHED



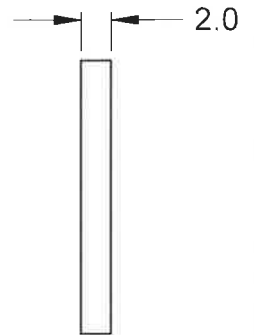
STRIKER

9.9 REF

MAXIMUM PUSH IN



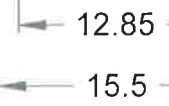
PANEL CONFIGURATION



3.5 REF

7.7 REF

LATCHED



(C)

DECIMAL TOLERANCES UNLESS OTHERWISE SPECIFIED

- ± .20 ONE PLACE
- ± .10 TWO PLACES
- ± 1° ANGLES

DRAWN: J. BELLA

APPROVED: *[Signature]*

CHECKED: *[Signature]*

DATE: 13-JUN-05

SCALE: 2:1

DESCRIPTION

LARGE PUSH-PUSH CLICK LATCH

METRIC ALL DIMENSIONS IN MILLIMETERS

PART NO. 42-005664

REV NO. D