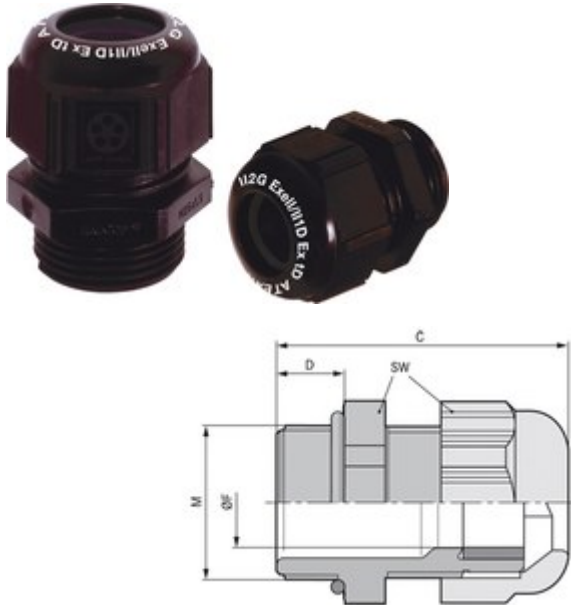


Product Description

High degree of protection; Cold impact resistance; High strain relief; Wide, variable clamping ranges; Permanent vibration protection



Application range

- Devices, machines and apparatus of enhanced safety protection type "e"
- Equipment group II / Category 2G+1D
- For mobile applications in offshore and marine industries
- Chemical and petrochemical industry

Benefits

- High degree of protection
- Cold impact resistance
- High strain relief
- Wide, variable clamping ranges
- Permanent vibration protection

Design

- Metric connection thread acc. to EN 50262



Technical Data

Caution

Refer to the instruction leaflet for the installation dimensions and torques

Approvals

IBExU08ATEX 1063 X Ex II 1D Ex tD A20 IP 6x Ex II 2G Ex e II

Colour delivered

RAL 9005 black/UV-resistant

Material

Body: special polyamide Seal: special elastomer O-ring: CR

Tests

DIN EN 60079-0 DIN EN 60079-7

Protection rating

IP 68 - 10 bar

Temperature range

-20°C to +80°C

Article List

Part number	Article designation / size	Clamping range ØF (mm)	Thread M	SW (mm)	Overall length/ C (mm)	Thread length/ D (mm)	Pieces / PU
SKINTOP® K-M ATEX plus							
54115200	K-M 12 ATEX plus	3-5,5	12 x 1.5	15	26,5 - 30	8.0	50
54115210	K-M 16 ATEX plus	7-9	16 x 1.5	19	29 - 34	8.0	50
54115220	K-M 20 ATEX plus	7-13	20 x 1.5	25	34 - 37	9.0	50
54115230	K-M 25 ATEX plus	11-17	25 x 1.5	30	35 - 40	10.0	25
54115240	K-M 32 ATEX plus	12-21	32 x 1.5	36	39 - 47	10.0	25
54115250	K-M 40 ATEX plus	19-28	40 x 1.5	46	43 - 52	10.0	10
54115260	K-M 50 ATEX plus	27-35	50 x 1.5	55	54 - 62	12.0	5
54115270	K-M 63 ATEX plus	36-45	63 x 1.5	66	59 - 71	12.0	5

Footnote:

Photographs are not to scale and do not represent detailed images of the respective products.