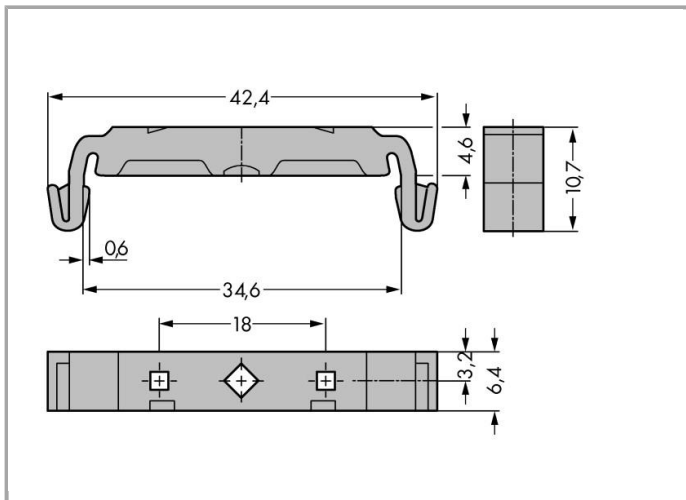
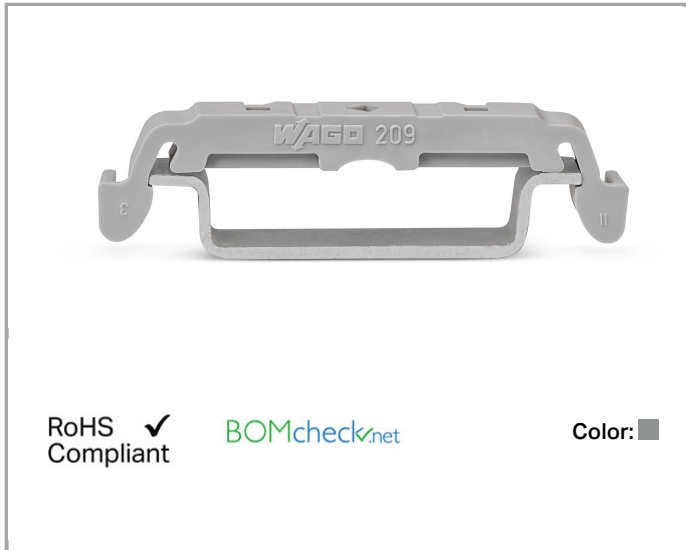


## Data sheet | Item number: 209-120

Mounting foot; can be snapped on terminal blocks with snap-in mounting foot; for mounting on relay-modules; 6.4 mm wide



[www.wago.com/209-120](http://www.wago.com/209-120)



### Data

#### Technical Data

|                       |                      |
|-----------------------|----------------------|
| Main product function | Mounting Accessories |
| Type of mounting      | DIN-35 rail          |

#### Geometrical Data

|                              |                              |
|------------------------------|------------------------------|
| Abmessungen B x H x T (mm)   | (6.4 x 4.6 x 42.4) mm        |
| Width                        | 6.4 mm / 0.252 inch          |
| Abmessungen B x H x T (inch) | (0.252 x 0.181 x 1.669) inch |
| Height                       | 4.6 mm / 0.181 inch          |

|       |                      |
|-------|----------------------|
| Depth | 42.4 mm / 1.669 inch |
|-------|----------------------|

### Material Data

|           |          |
|-----------|----------|
| Color     | gray     |
| Fire load | 0.034 MJ |
| Weight    | 1.146 g  |

### Commercial data

|                    |                                |
|--------------------|--------------------------------|
| Country of origin  | CH                             |
| GTIN               | 4017332272421                  |
| Customs Tariff No. | 39269097900                    |
| Product Group      | 2 (Terminal Block Accessories) |

### Compatible products

#### assembling



Item no.: 209-119  
Fixing screw; for 209-120 mounting carrier

[www.wago.com/209-119](http://www.wago.com/209-119)

### Downloads

#### Documentation

##### Bid Text

|         |             |                |          |
|---------|-------------|----------------|----------|
| 209-120 | Oct 9, 2017 | DOC<br>23.0 kB | Download |
|---------|-------------|----------------|----------|

### smartDATA

#### CAD data

|                     |     |          |
|---------------------|-----|----------|
| 3D Download 209-120 | URL | Download |
|---------------------|-----|----------|

Subject to changes.