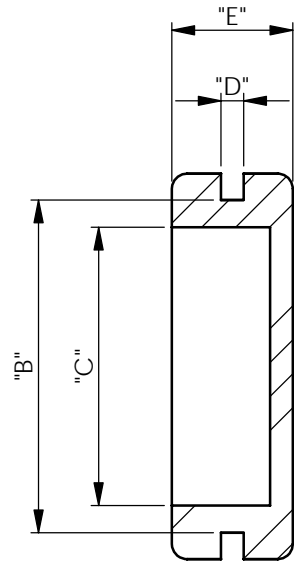
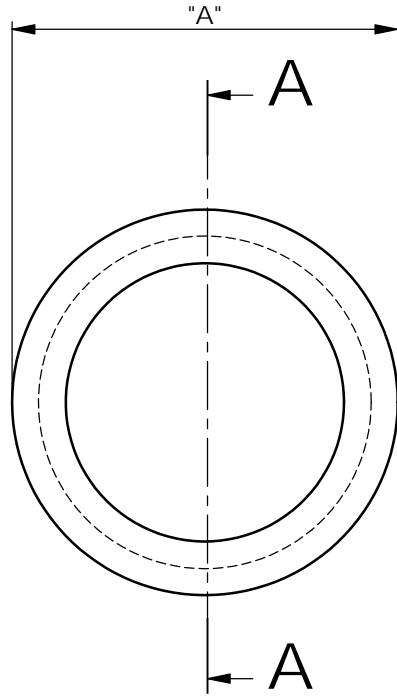
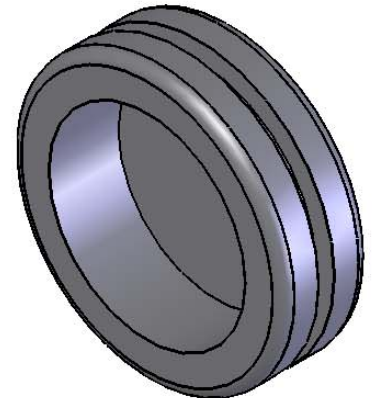


REV.	MODIFICATION.	DATE	DRN
A	NEW DWG	221295	
B	SCN99-027	290499	JPM
C	SCN01-110	251001	JPM
D	ECN#802	160604	NJB
E	ECR05-041	310305	NBr
06	ECR06-032	180106	OW
07	ECR06-035	260106	OW
08	ECN07-050	270207	OW




SECTION A-A

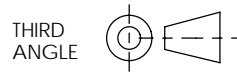


NOTES
 1a) METRIC PRIMARY UNITS:mm
 1b) IMPERIAL SECONDARY UNITS: [inches]
 2) PARTS ALSO AVAILABLE IN V0 RATED MATERIAL (RMS-263) BY SPECIAL ORDER.

DGB-2.5	9.4 [.37]	6.4 [.252]	4.1 [.161]	0.8 [.032]	3.6 [.142]
DGB-4	12.7 [.5]	9.9 [.39]	6.4 [.252]	1.5 [.06]	6.6 [.26]
DGB-5	15.7 [.62]	12.5 [.49]	9.5 [.374]	1.5 [.06]	6.4 [.252]
DGB-6	17.5 [.689]	11.0 [.433]	8.0 [.315]	1.5 [.06]	8.0 [.315]
DGB-7	19.0 [.75]	16.0 [.63]	11.0 [.433]	1.5 [.06]	8.0 [.315]
DGB-10	25.5 [1.004]	22.0 [.866]	18.4 [.724]	1.5 [.06]	8.0 [.315]
DGB-11	25.5 [1.004]	19.0 [.75]	16.0 [.63]	1.5 [.06]	7.0 [.276]
DGB-13	30.0 [1.2]	25.5 [1.004]	20.5 [.807]	1.5 [.06]	8.0 [.315]
PART NUMBER	"A"	"B"	"C"	"D"	"E"

INFORMATION CONTAINED IN THIS DOCUMENT IS CONFIDENTIAL TO RICHCO INTERNATIONAL Co. Ltd. AND MAY NOT BE DISCLOSED OR REPRODUCED IN WHOLE OR PART WITHOUT THEIR WRITTEN CONSENT.

 GENERAL TOLERANCE: FOR REFERENCE ONLY ±0.5 [.02] UNLESS OTHERWISE STATED ANGULAR ±1°

THIRD ANGLE 

MATERIAL: TPE (RMS-262) COLOUR: BLACK

DESCRIPTION: DIAPHRAGM GROMMET, BLIND PART No: SEE TABLE

DRG No: 770-0001 NPR No: N/A SHEET SIZE A4

DRN OW DATE 31/03/05 CHKD NBr DATE 31/03/05 SCALE NTS SHEET No. 1 OF 1