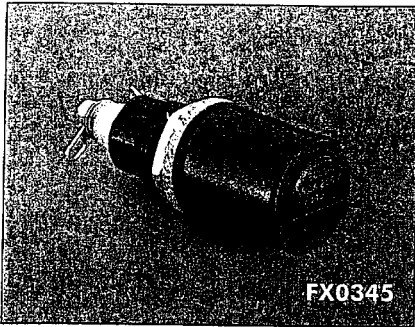
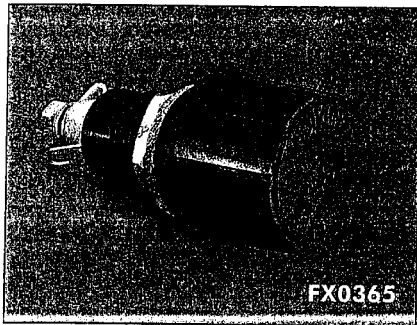
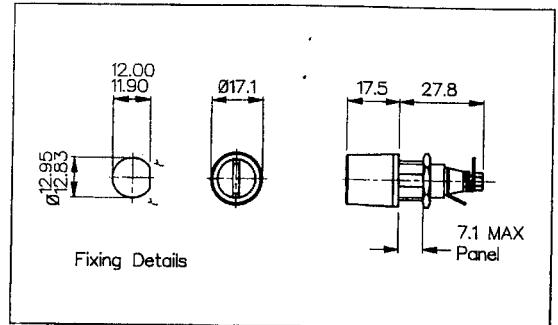


BULGIN Fuseholders

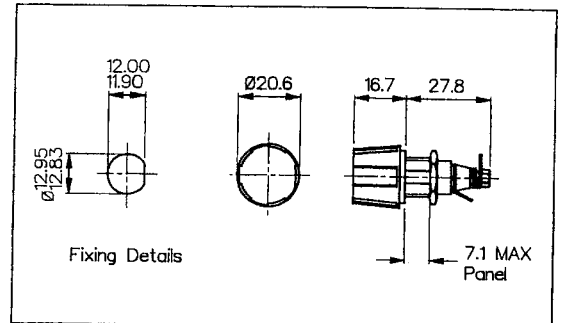
Panel Mounting Sealed to IP66 PC1



- High Profile Panel Mount
- Sealed to IP66
- Category PC1
- Fuse Sizes 5 x 20mm
- Screw Cap/Screwdriver Release
- 6.3A, 250V



- High Profile Panel Mount
- Sealed to IP66
- Category PC1
- Fuse Sizes 5 x 20mm
- Screw Cap/Hand Release
- Large Cap for Easy Grip
- 6.3A, 250V



52994M

Specification	FX0345, FX0345/A	FX0365, FX0365/A
Fuse Size:	5 x 20mm	5 x 20mm
Fuse Carrier:	Screw cap/Screwdriver release	Screw cap/Hand release. Large ribbed cap allows removal with gloved hand
Terminations:	Solder tags	Solder tags
Max. Rating:	6.3A, 250V	6.3A, 250V
Max. Power Dissipation:	4W (@ 23°C)	4W (@ 23°C)
Insulation Resistance:	>10 ³ MΩ @ 500V d.c.	>10 ³ MΩ @ 500V d.c.
A.C. Breakdown:	>3.5kV @ 50Hz	>3.5kV @ 50Hz
Contact Resistance:	<10mΩ	<10mΩ
Mouldings:		
Body & Cap:	Glass Filled Nylon UL94V-0 rated	Glass Filled Nylon UL94V-0
Spacer:	Glass Filled Nylon UL94HB rated	Glass Filled Nylon UL94HB
Insulating Sleeve:	Nylon UL94V-0 rated	Nylon UL94V-0 rated
Contacts:	Brass, Silver Plated	Brass, Silver Plated
Sealing:	Protection Classification IP66 to BS 5490:1977 Retains sealing integrity with cap removed since they are both panel and barrier sealed	

Fuseholders