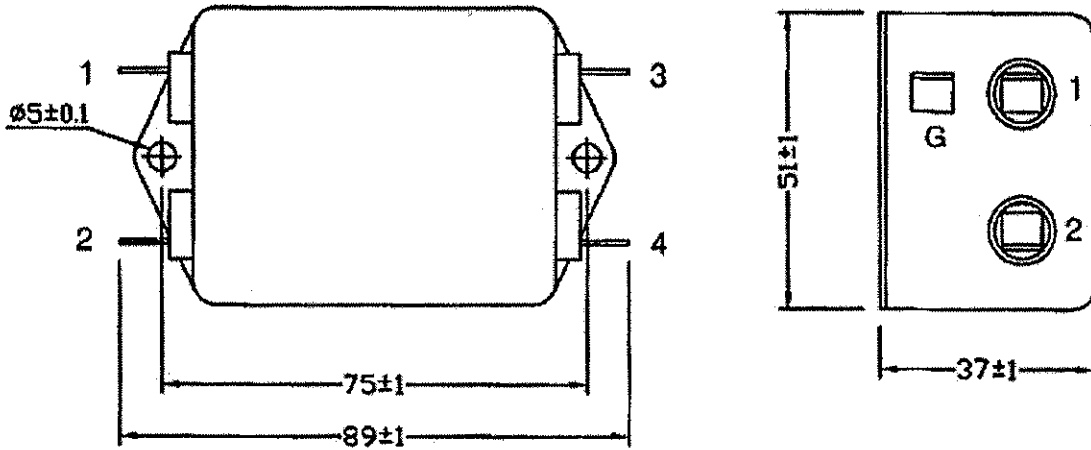


SPECIFICATION FOR APPROVAL

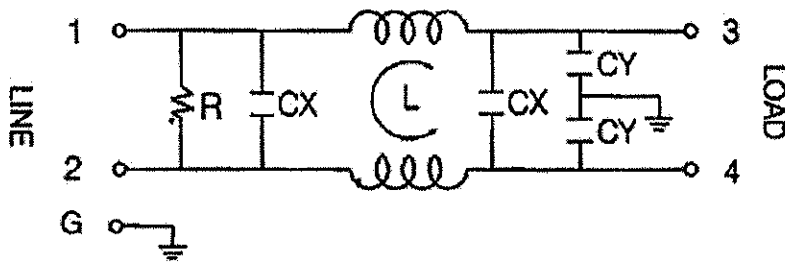
TO:

PART NAME	EMI FILTER	SAMPLE NO	FTB-1053
MODEL	YE05T1	SAMPLE DATE	AUG.23.2004
USED NO		OUR DRAWING NO	YDR-00090a

1. PHYSICAL DIMENSIONS:(mm)



2. SCHEMATIC:



CX : 0.1uF
 CY : 3300pF
 R : 10M Ω
 L : 2 x 5mH

REPORTED BY	CHECKED BY	APPROVED BY	3	
	<i>林</i>		2	
王强准 9.14.0	<i>10/6</i> <i>11/2</i>		REV. 1	更新安规號碼

SPECIFICATION FOR APPROVAL

TO:

PART NAME	EMI FILTER	SAMPLE NO	FTB-1053
MODEL	YE05T1	SAMPLE DATE	AUG.23.2004
USED NO		OUR DRAWING NO	YDR-00090a

3.ELECTRICAL CHARACTERISTICS:

3-1.RATED VOLTAGE 125/250VAC
 3-2.RATED CURRENT 5 A
 3-3.OPERATING FREQUENCY..... 50/60Hz
 3-4.LEAK CURRENT:EACH LINE TO GROUND
 250VAC 50Hz 0.8mA MAX
 3-5.HIPOT RATING:(FOR ONE MINUTE)
 LINE TO LINE 1450VDC
 LINE TO GROUND 1800VAC
 3-6.INSULATION RESISTANCE 250VDC/100MOHM MIN
 3-7.DIRECT CURRENT RESISTANCE 0.3 OHM MAX
 3-8.OPERATING TEMPERATURE -25 TO +85°C

4.SAFETY COMPLIANCE:

UL FILE NO:E134751
 CSA FILE NO:LR95210
 VDE FILE NO:40008205