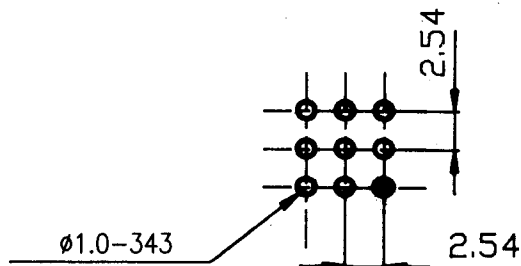
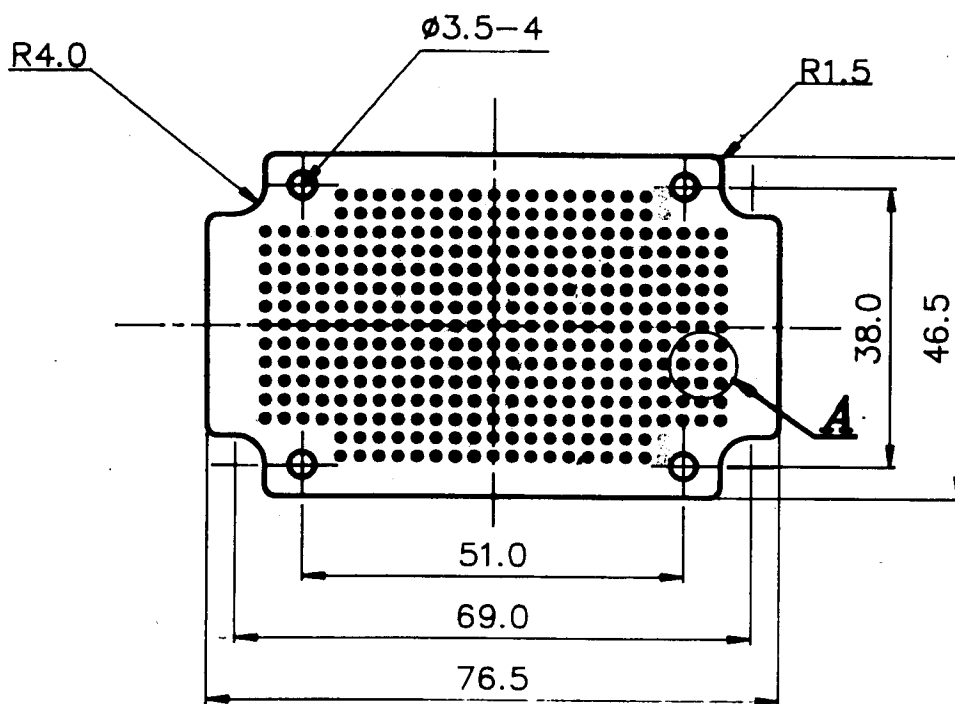


Date	Name	Description	No
			△



A-SCALE2/1

A4

3	PCB	1	PF	t=1.6		
No	Description	Q'ty	Material	Specification	Finish	Remark
Drawn	Checked	Approved	SCI No.		Model Name	Project Box
黄平平	<i>[Signature]</i>		Customer No.		Model No.	R19-1-3
06/05/'08	<i>b/11 '08</i>		Unit	mm	SHIN CHIN INDUSTRIAL CO., LTD.	
						REV. 0