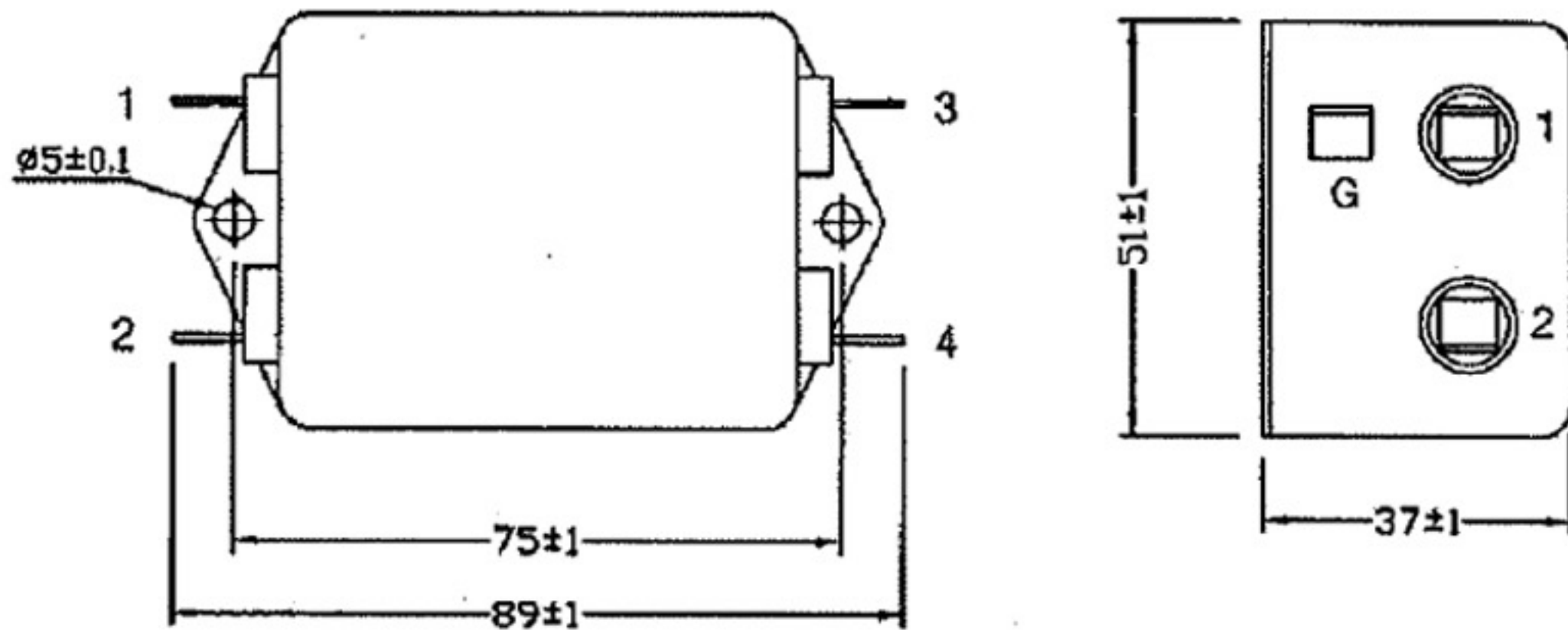


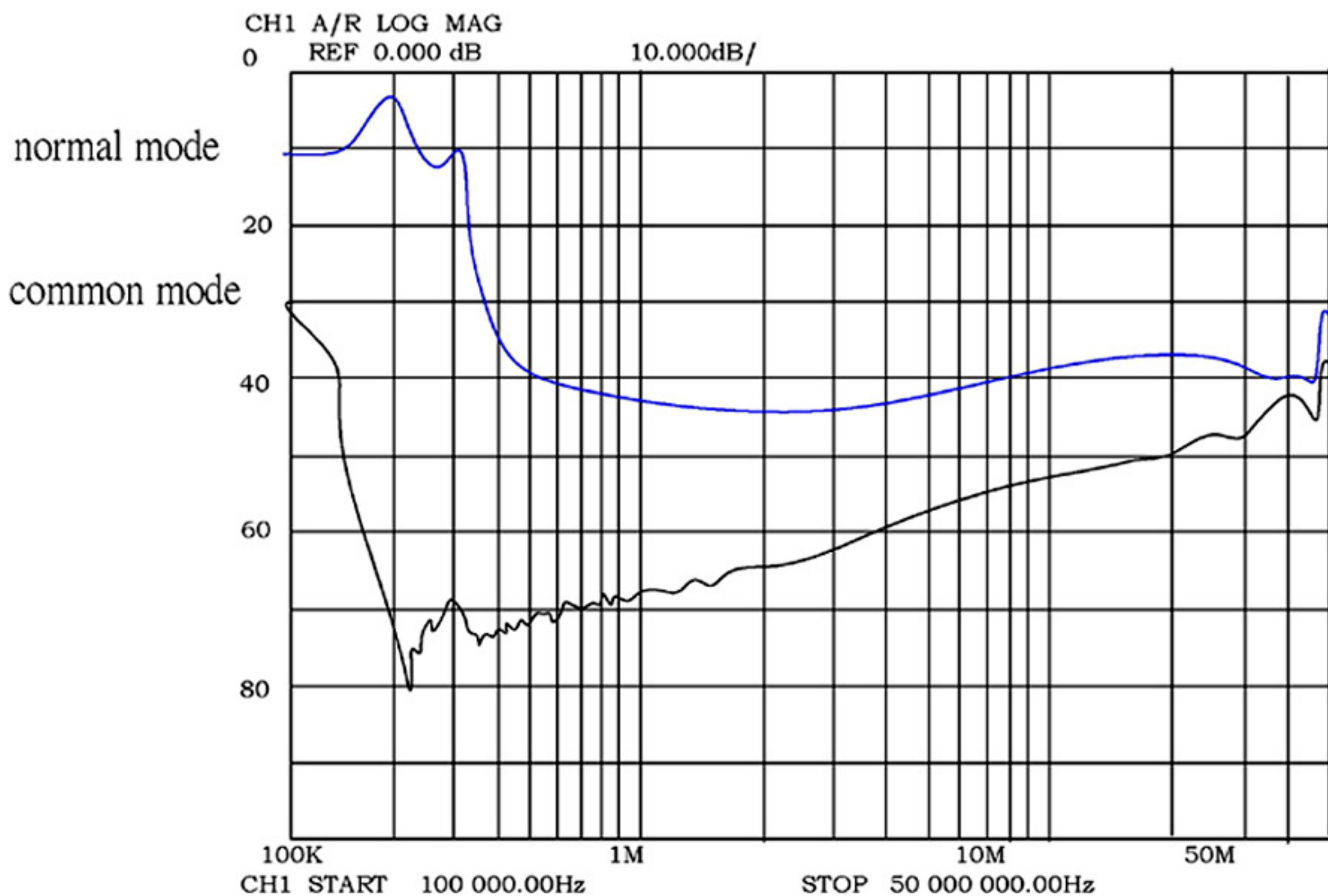
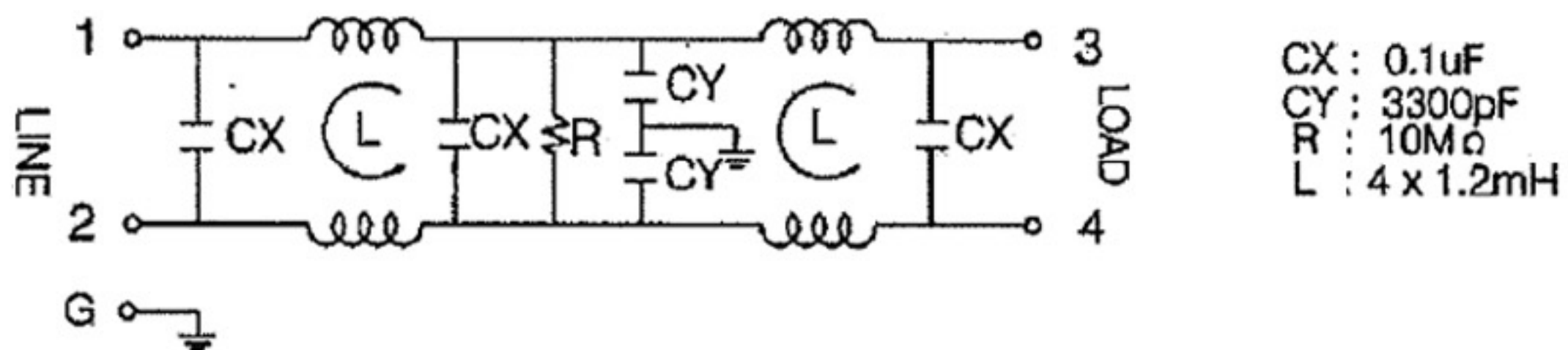
SPECIFICATION FOR APPROVAL

PART NAME	EMI FILTER	SAMPLE NO	FTA-0072
MODEL	YE10T1L2	SAMPLE DATE	AUG.23.2004
USED NO		OUR DRAWING NO	YDR-00028a

1. PHYSICAL DIMENSIONS:(mm)



2. SCHEMATIC:



SPECIFICATION FOR APPROVAL

TO:

PART NAME	EMI FILTER	SAMPLE NO	FTA-0072
MODEL	YE10T1L2	SAMPLE DATE	AUG.23.2004
USED NO		OUR DRAWING NO	YDR-00028a

3.ELECTRICAL CHARACTERISTICS:

3-1.RATED VOLTAGE 125/250VAC
3-2.RATED CURRENT 10 A
3-3.OPERATING FREQUENCY..... 50/60Hz
3-4.LEAK CURRENT:EACH LINE TO GROUND
250VAC 50Hz 0.8mA MAX
3-5.HIPOT RATING:(FOR ONE MINUTE)
LINE TO LINE 1450VDC
LINE TO GROUND 1800VAC
3-6.INSULATION RESISTANCE 250VDC/100MOHM MIN
3-7.DIRECT CURRENT RESISTANCE 0.15 OHM MAX
3-8.OPERATING TEMPERATURE -25 TO +85°C

4.SAFETY COMPLIANCE:

UL FILE NO:E134751
CSA FILE NO:LR95210
VDE FILE NO:40008205