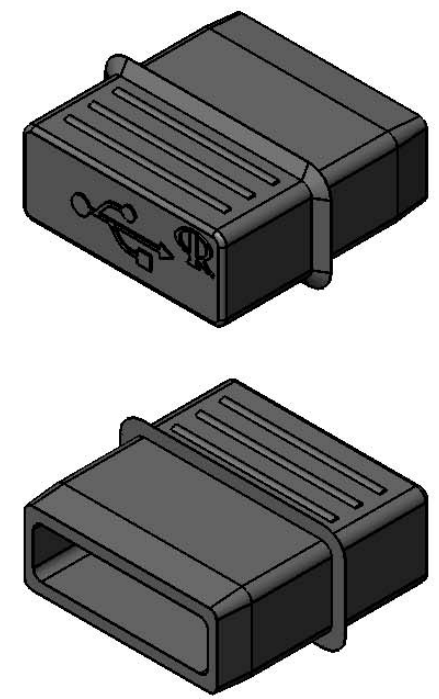
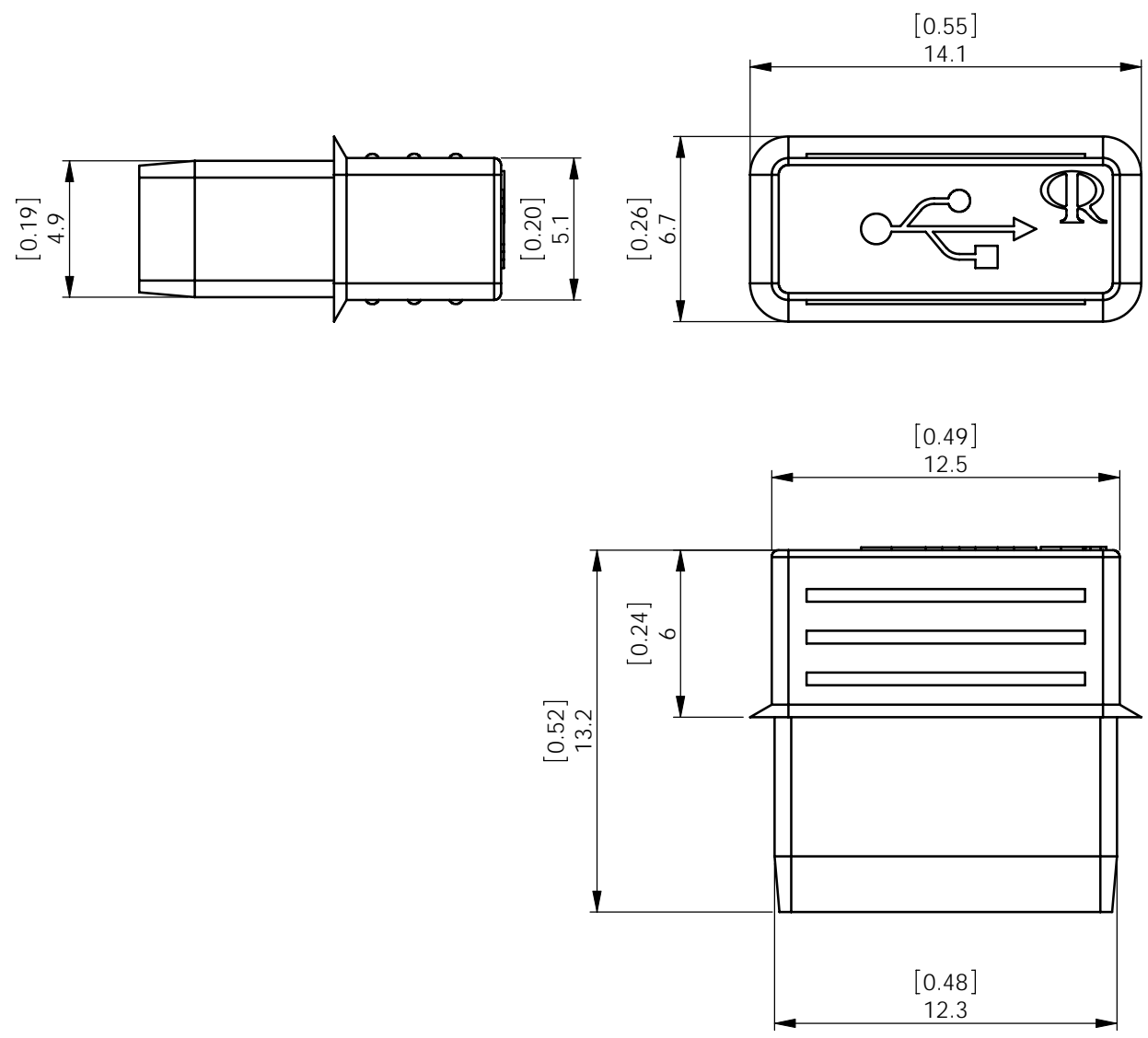


REV.	MODIFICATION.	DATE	DRN
01	Production release	14/07/09	MT



ALTERNATE UNITS FOR REFERENCE ONLY

<p>INFORMATION CONTAINED IN THIS DOCUMENT IS CONFIDENTIAL TO RICHCO INTERNATIONAL Co. Ltd. AND MAY NOT BE DISCLOSED OR REPRODUCED IN WHOLE OR PART WITHOUT THEIR WRITTEN CONSENT.</p>					
<p>RICHCO, INC. WWW.RICHCO-INC.COM</p>			<p>ALL DIMENSIONS IN mm GENERAL TOLERANCES ±0.25 UNLESS OTHERWISE STATED 1 DECIMAL PLACE ± 2 DECIMAL PLACES ± ANGULAR ±1°</p>		<p>THIRD ANGLE</p>
<p>MATERIAL: SILICONE RUBBER 80 SHORE A (RMS-383)</p>				<p>COLOUR: BLACK</p>	
<p>DESCRIPTION: USB CONNECTOR PLUG</p>				<p>PART No: CP-USB-A</p>	
<p>DRG No: 09-064</p>		<p>PROJECT NUMBER: EU09-0006</p>		<p>SHEET SIZE A4</p>	
<p>DRN MT</p>	<p>DATE 15/01/08</p>	<p>CHKD TC</p>	<p>DATE 14/07/09</p>	<p>SCALE NTS</p>	<p>SHEET No. 1 OF 1</p>