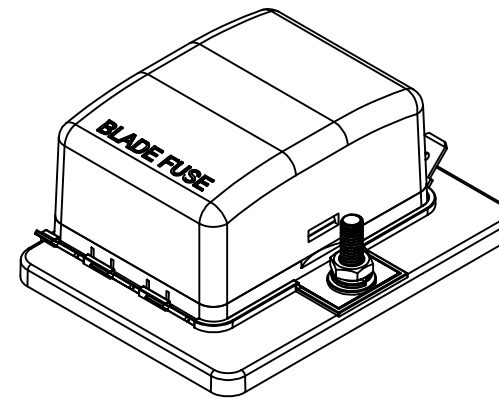
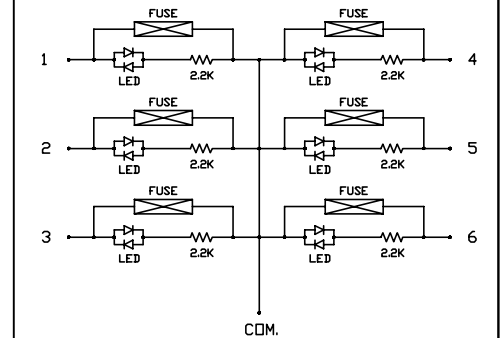
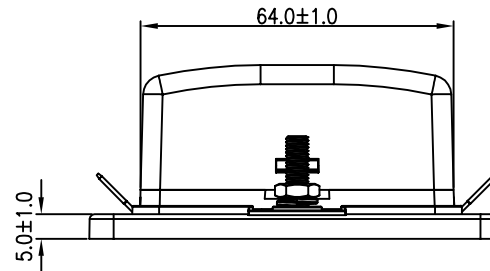


<b>Voltage (Max.)</b>	32 VDC.	<b>Mounting Hole</b>	
<b>Input Terminal Rating</b>	#10-32 threaded studs (100A. max.)	<b>Terminal Dim.</b>	
<b>Output Terminal Rating</b>	30A max per circuit.		
<b>Connection pad option available</b>	Input wire size : #4-6 AWG.	<b>Blade Fuse Dim.</b>	
	Output wire size : #12-16 AWG		
<b>Fuse Spec.</b>	For Blade Fuses Used Only	<b>Circuit Diagram</b>	
<b>Torque Rating</b>	20in-lb (2.25Nm) max.		
<b>Mounting Torque Rating</b>	8in-lb (0.9Nm) max.		
<b>Temperature Rating</b>	-20° C to 85° C		



Material :  
 Cover : PC. (Transparent)  
 Housing , Base : PBT. (Black)  
 Push Button : POM. (White)  
 Terminal : Tin. plating Copper

Notes :  
 1. Rating 100A max. tested by 4 pcs. 25A. load.

				<b>Drawn</b>	<b>Checked</b>	<b>Approved</b>	<b>SCI BOM No.</b>	1310375	<b>Model Name</b>	BLADE FUSE BOX (6P)	
Sep.-22-09'	Frank	Upgrade specified voltage value		Frank Su.		Danny	<b>Customer No.</b>		<b>Model No.</b>	R3-76-01-3L106	<b>REV.</b>
<b>Date</b>	<b>Name</b>	<b>Description</b>	<b>NO</b>	Aug.-18-09'		09/22/'09	<b>Unit</b>	mm			