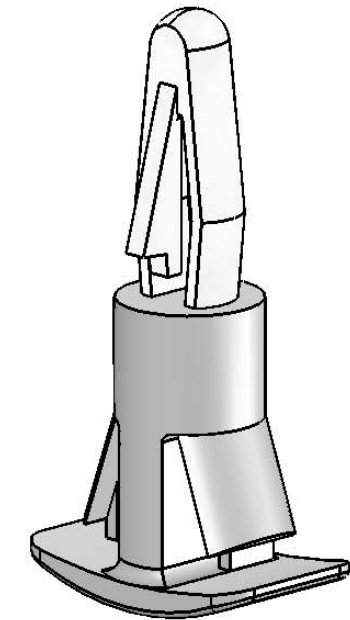
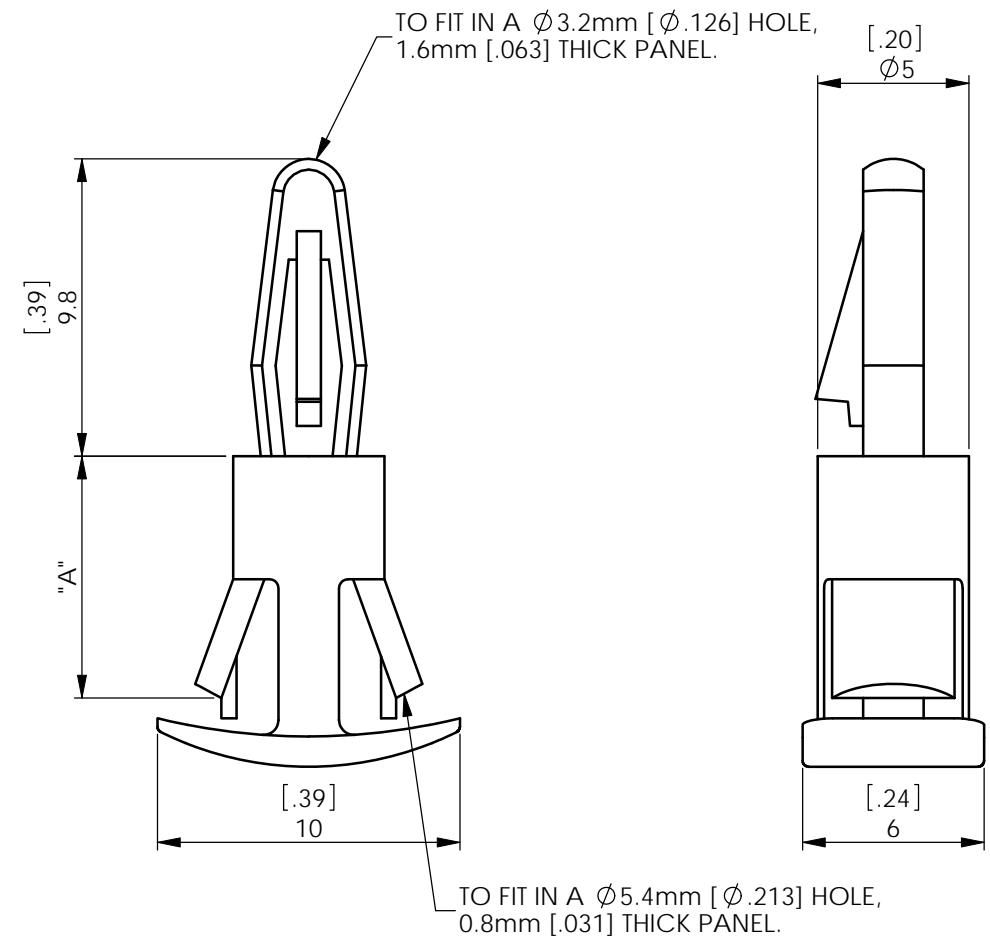


REV.	MODIFICATION.	DATE	DRN
01	Production Release	28/10/08	MT
02	CO-2010504	04/12/08	OW
03	CO-2010928	25/05/10	MT



ALTERNATE UNITS FOR REFERENCE ONLY

MATL: NYLON 6/6 RMS-01* COLOUR: NATURAL	"A" STANDOFF HEIGHT
RLCBSC-5-01	5 [.197]
RLCBSC-6-01	6 [.236]
RLCBSC-8-01	8 [.315]
RLCBSC-10-01	10 [.394]
RLCBSC-12-01	12 [.472]
RLCBSC-14-01	14 [.551]

*AVAILABLE IN UL94 V0 BY SPECIAL ORDER.
TO ORDER REPLACE -01 WITH -19.

INFORMATION CONTAINED IN THIS DOCUMENT IS CONFIDENTIAL TO RICHCO INTERNATIONAL Co. Ltd. AND MAY NOT BE DISCLOSED OR REPRODUCED IN WHOLE OR PART WITHOUT THEIR WRITTEN CONSENT.

RICHCO, INC.
WWW.RICHCO-INC.COM

ALL DIMENSIONS IN mm
GENERAL TOLERANCES ± 0.25
UNLESS OTHERWISE STATED
1 DECIMAL PLACE ± 0.25
2 DECIMAL PLACES ± 0.10
ANGULAR $\pm 1^\circ$

THIRD ANGLE

MATERIAL: NYLON 6/6 UL94-V2 (RMS-01)	COLOUR: NATURAL
---	--------------------

DESCRIPTION: REVERSE LOCKING CIRCUIT BOARD SUPPORT	PART No: SEE TABLE
---	-----------------------

DRG No: 08-107	NPR No: GB08-0058	Mass:(g) 0.2-0.4	SHEET SIZE A4
-------------------	----------------------	---------------------	------------------

DRN MT	DATE 09/09/08	CHKD JK	DATE 15/09/08	SCALE NTS	SHEET No. 1 OF 1
-----------	------------------	------------	------------------	--------------	---------------------