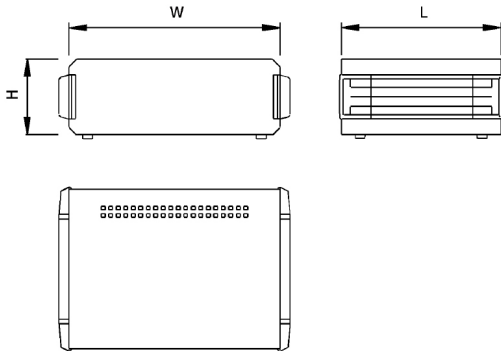


DESKTOP & INSTRUMENT CASES

Desktop Instrument Cases

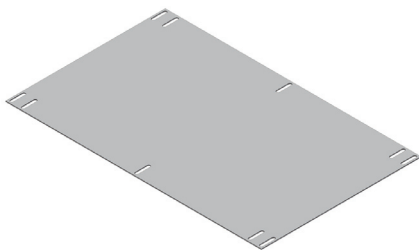
Extensive range of high quality instrument cases for test, measurement, display and control applications. Functional push-fit construction designed for quick and easy assembly.

- Screwless push-fit assembly via 8x lock pins
- Horizontal PCB guides in side profiles
- Ventilation slots in lid and base
- Lid and base can be dismantled independently from each other
- 4x non-slip feet as standard (CDIC00001-4)
- 2x non-slip feet, 2x tilting feet and front handles as standard (CDIC00005-7)



Assembly Plate

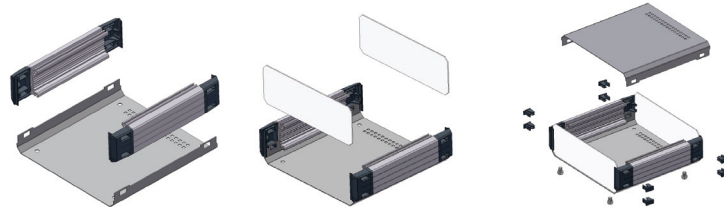
- The assembly panel is easily fixed to the enclosure using M3 screws and nuts
- 1 mm thick steel, zinc coated



SPECIFICATION

Material	High impact ABS Lid & base 1mm thick steel, epoxy coated, textured Side profiles extruded 6063 aluminium, matt silver anodised Brackets & tilting feet	
Material sizes 1-4	CDIC00001-4	Front/rear panels 1mm thick 5050 aluminium, silver anodised
Material sizes 5-7	CDIC00005-7	Front/rear panels 2mm thick 5050 aluminium, silver anodised
Standard unit sizes 1-4	CDIC00001-4	Lid & base 2x front/rear panels 2x aluminium side profiles 4x brackets 8x lock pins 4x non-slip feet
Standard unit sizes 5-7	CDIC00005-7	Lid & base 2x front/rear panels 2x aluminium side profiles 2x rear brackets 2x front brackets with handle 2x non-slip feet 2x non-slip tilting feet 8 x locking pins

DARK GREY	LENGTH	WIDTH	HEIGHT
CDIC00001	140mm	150mm	70mm
CDIC00002	200mm	200mm	70mm
CDIC00003	170mm	225mm	80mm
CDIC00004	200mm	250mm	90mm
CDIC00005	220mm	300mm	100mm
CDIC00006	260mm	350mm	120mm
CDIC00007	300mm	400mm	130mm



DARK GREY	LENGTH	WIDTH
CDICMP002	143mm	192mm
CDICMP003	113mm	217mm
CDICMP004	143mm	242mm
CDICMP005	170mm	286.5mm
CDICMP006	210mm	336.5mm
CDICMP007	250mm	386.5mm

UNIVERSAL ENCLOSURES

HAND HELD CASES

HEAVY DUTY ENCLOSURES

DIN RAIL BOXES

INTERFACE SUPPORTS

CONTROL STATIONS

DIECAST & METAL BOXES

DESKTOP & INSTRUMENT CASES

POTTING BOXES

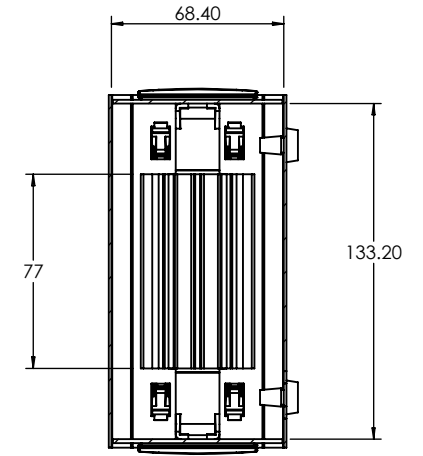
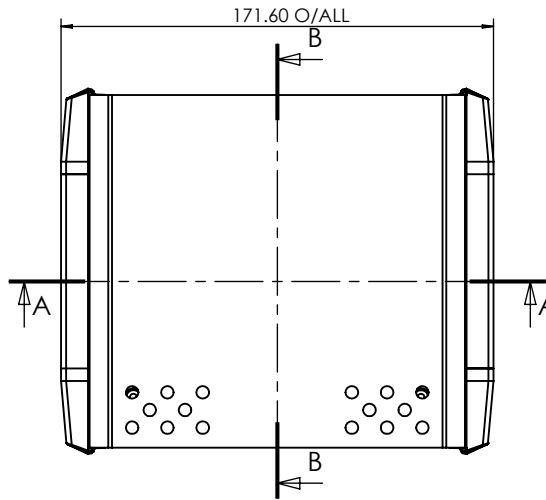
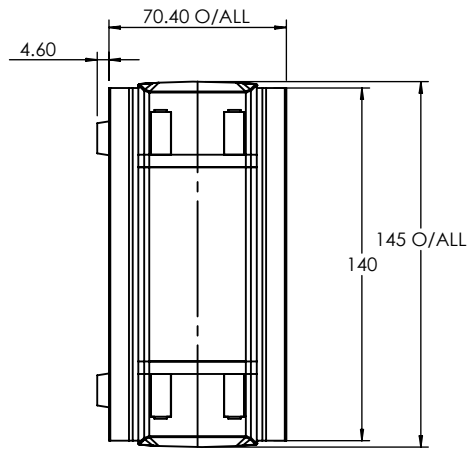
19" ENCLOSURES

19" CABINETS

DEVELOPMENT BOARDS

CUSTOM SIZED ENCLOSURES

CUSTOM SERVICES

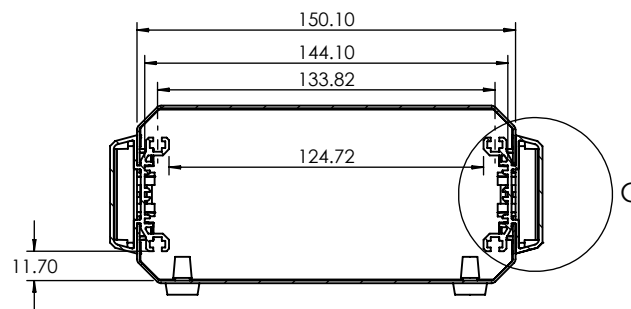
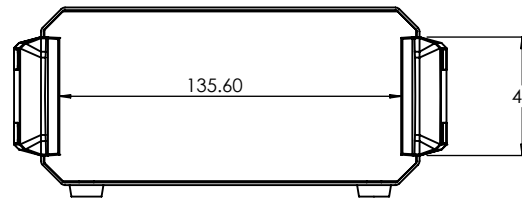


SECTION B-B

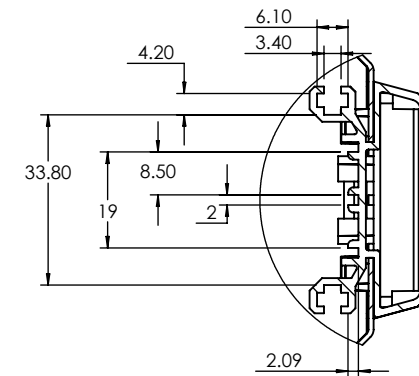
OVERALL ASSEMBLY DIMENSIONS:

EXTERNAL - 221.5 x 205 x 70.4

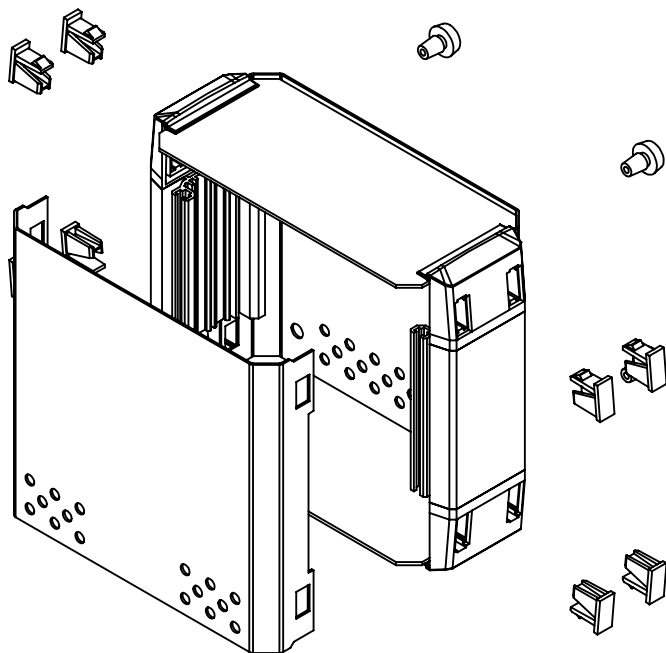
INTERNAL - 198 x 193 x 68.4



SECTION A-A



DETAIL C
SCALE 2 : 3



CAMDENBOSS
ELECTRONICS & ENCLOSURES
JAMES CARTER RD, MILDENHALL, SUFFOLK. IP28 7DE
TEL: 01638 716101 FAX: 01638 716554
EMAIL: Sales@CamdenBoss.com
WEB: www.CamdenBoss.com

UNLESS OTHERWISE SPECIFIED:
DIMENSIONS ARE IN MILLIMETERS

DO NOT SCALE DRAWING

REVISION. 0

GENERAL TOLERANCES +/- 0.2

TITLE:

GNL ASSEMBLY DRG FOR
CDIC00001 INSTRUMENT CASE

FINISH.

MATERIAL.

VAR

DWG NO.

CDIC00001

A4

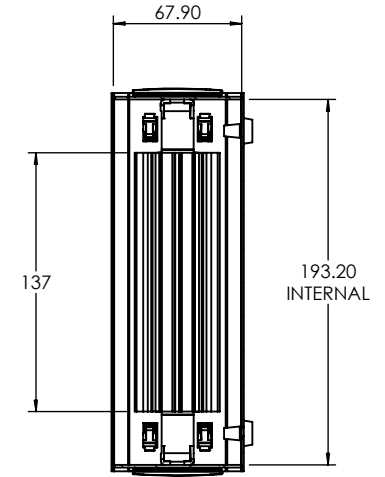
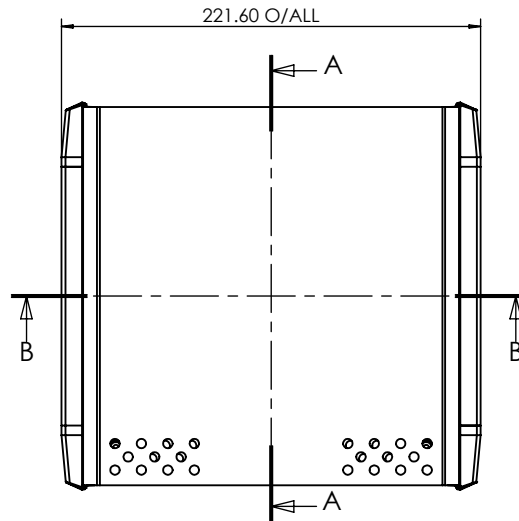
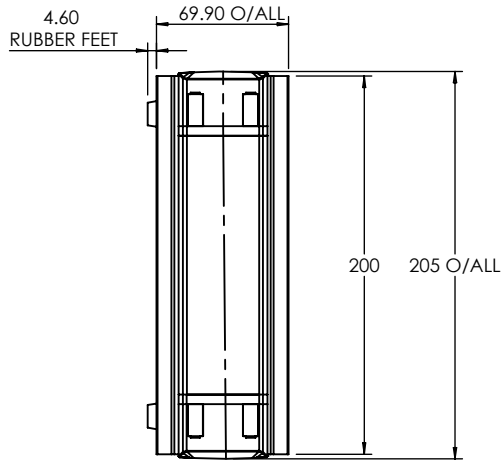
	NAME	SIGNED	DATE
DRAWN	IAN PAGANO	I.P.	18/02/13
CHKD	-	-	-

PROJECTION.



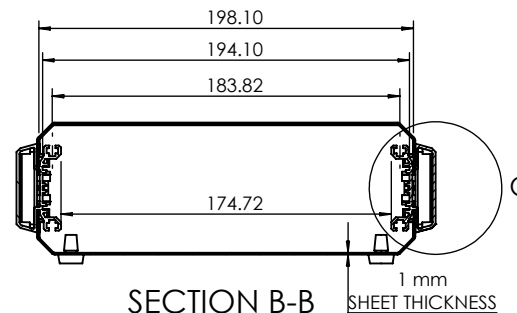
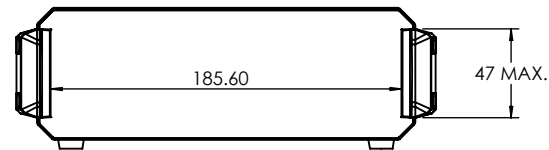
SCALE: 1 : 2

SHEET 1 OF 1

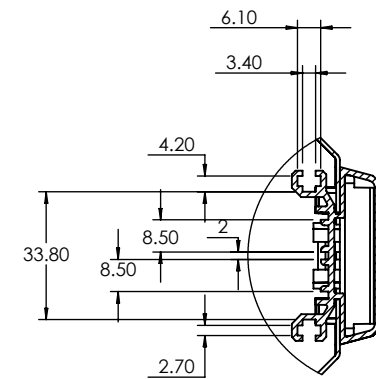


SECTION A-A
SCALE 1 : 4

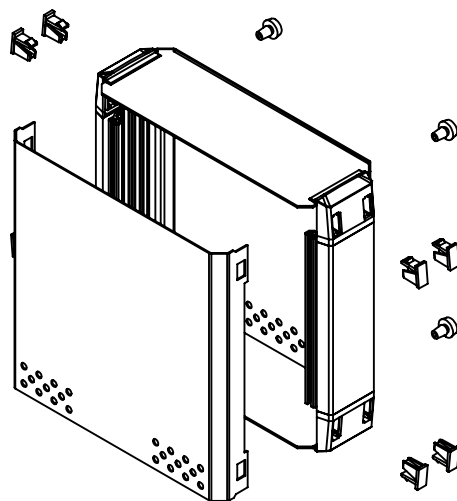
OVERALL ASSEMBLY DIMENTIONS:
EXTERNAL - 221.5 x 205 x 70.4
INTERNAL - 198 x 193 x 68.4



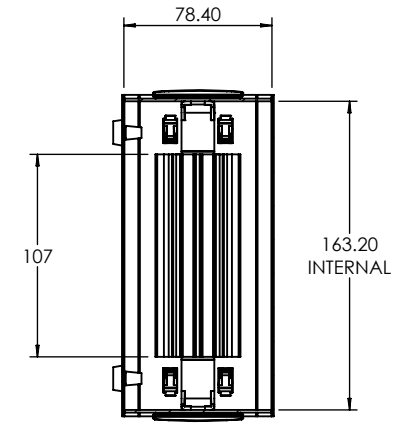
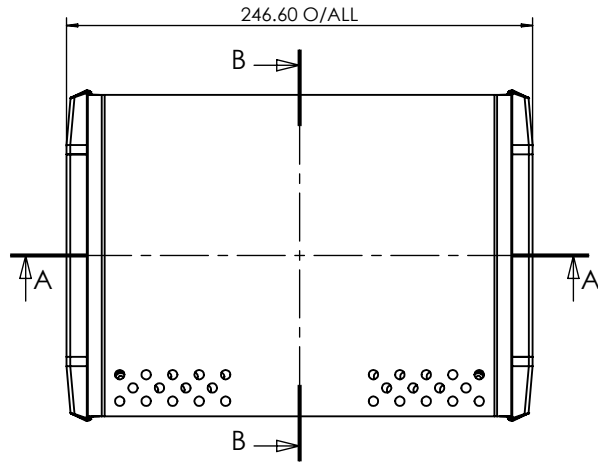
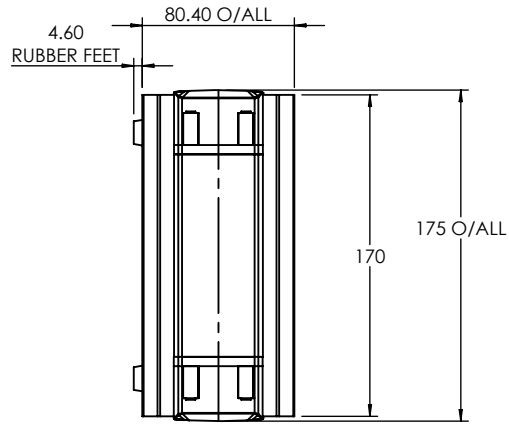
SECTION B-B
SCALE 1 : 4



DETAIL C
SCALE 1 : 2



<p>JAMES CARTER RD, MILDENHALL, SUFFOLK. IP28 7DE TEL: 01638 716101 FAX: 01638 716554 EMAIL: Sales@CamdenBoss.com WEB: www.CamdenBoss.com</p>				UNLESS OTHERWISE SPECIFIED: DIMENSIONS ARE IN MILLIMETERS	DO NOT SCALE DRAWING	REVISION. ○
				GENERAL TOLERANCES +/- 0.2	TITLE: GNL ASSEMBLY DRG FOR CDIC00002 INSTRUMENTS CASE	
	NAME	SIGNED	DATE	FINISH. ---	MATERIAL. VAR	DWG NO. CDIC00002
DRAWN	IAN PAGANO	I.P.	18/02/13			A4
CHKD	-	-	-	PROJECTION.	SCALE: 1 : 2	SHEET 1 OF 1

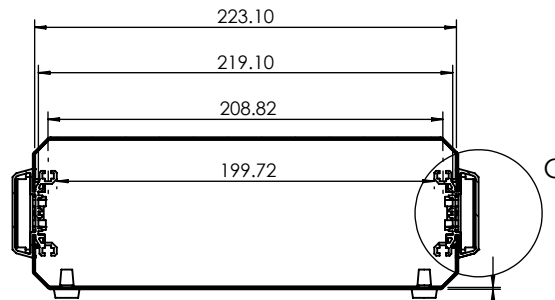
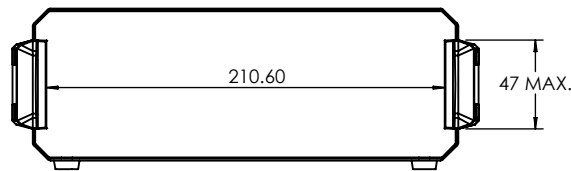


SECTION B-B
SCALE 1 : 4

OVERALL ASSEMBLY DIMENSION:

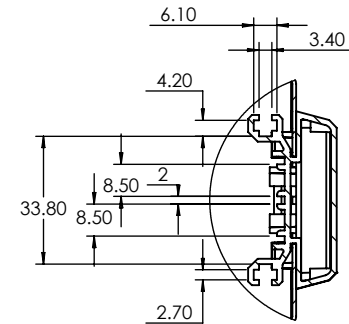
EXTERNAL - 246.6 x 175 x 80.4

INTERNAL - 222.4 x 163 x 78.4

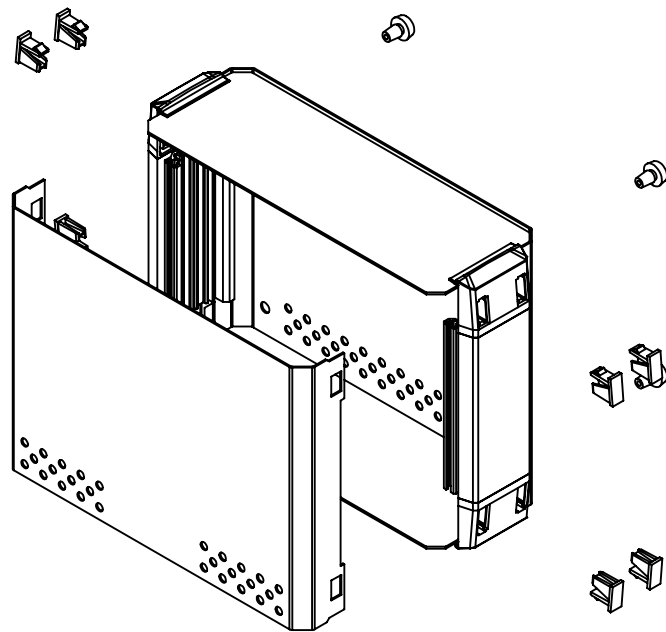


SECTION A-A
SCALE 1 : 4

1
SHEET THICKNESS



DETAIL C
SCALE 1 : 2



CAMDENBOSS
ELECTRONICS & ENCLOSURES

JAMES CARTER RD, MILDENHALL, SUFFOLK. IP28 7DE
TEL: 01638 716101 FAX: 01638 716554
EMAIL: Sales@CamdenBoss.com
WEB: www.CamdenBoss.com

UNLESS OTHERWISE SPECIFIED:
DIMENSIONS ARE IN MILLIMETERS

GENERAL TOLERANCES +/- 0.2

FINISH. ---

MATERIAL. VAR

PROJECTION.

DO NOT SCALE DRAWING

REVISION.

TITLE:

GNL ASSEMBLY DRG FOR
CDIC00003 INSTRUMENT CASE

DWG NO.

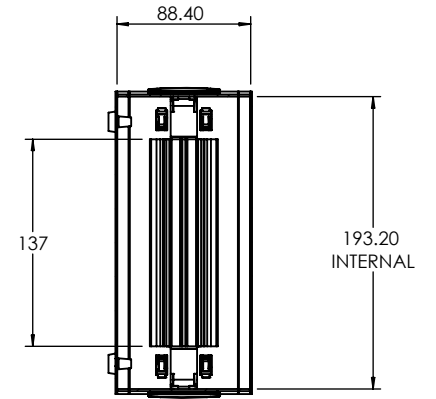
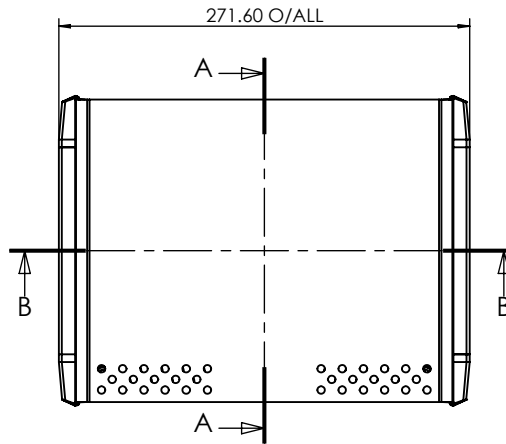
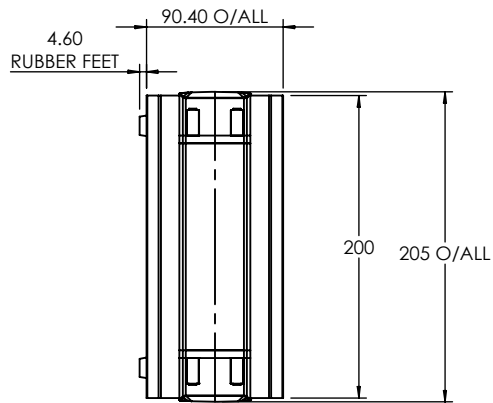
CDIC00003

A4

SCALE: 1 : 4

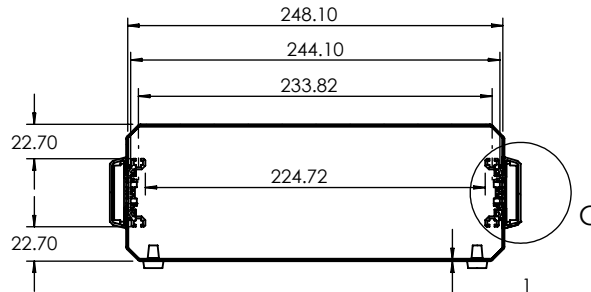
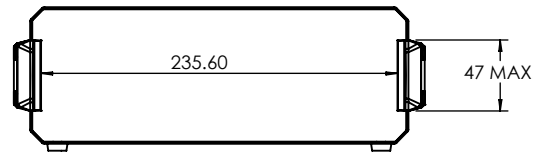
SHEET 1 OF 1

	NAME	SIGNED	DATE
DRAWN	IAN PAGANO	I.P.	18/02/13
CHKD	-	-	-

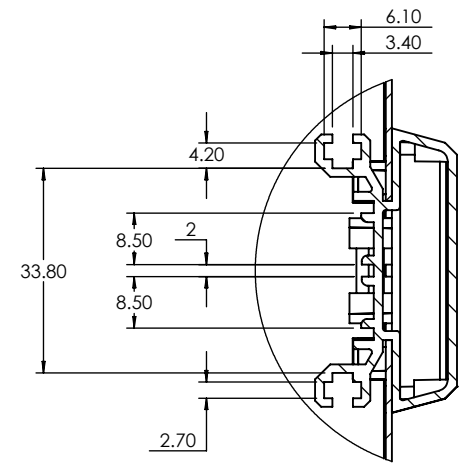


SECTION A-A

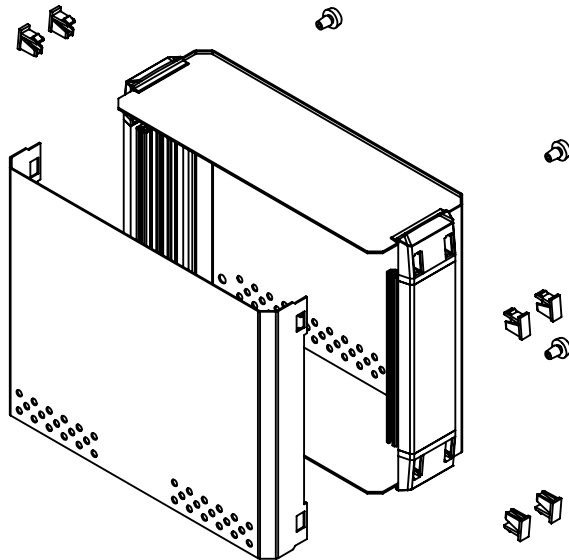
OVERALL ASSEMBLY DIMENTIONS:
 EXTERNAL - 271.6 x 205 x 90.4
 INTERNAL - 248.1 x 193 x 88.4



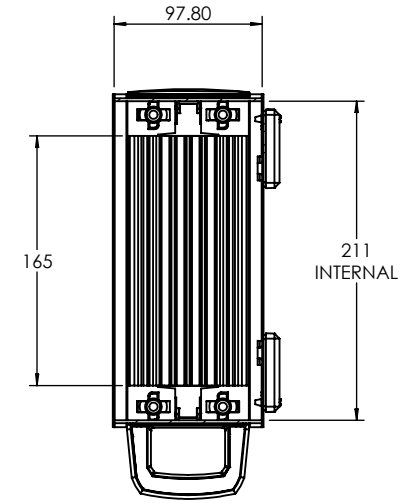
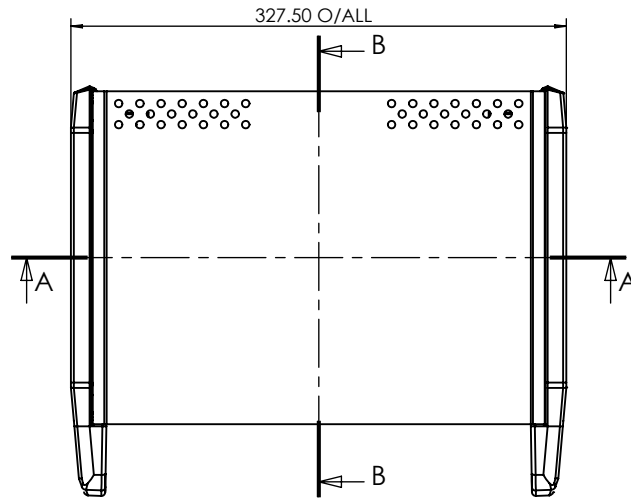
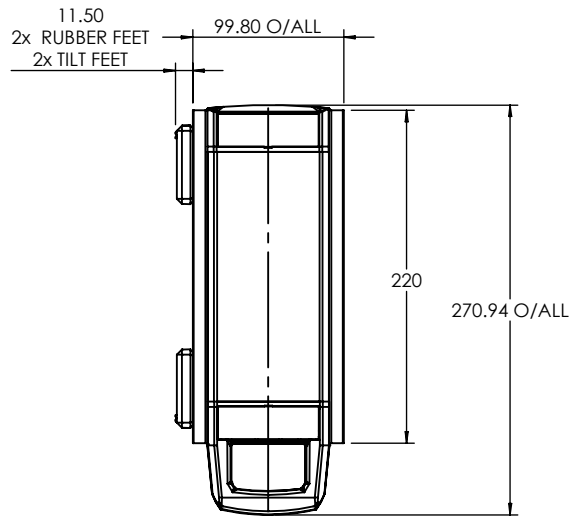
SECTION B-B



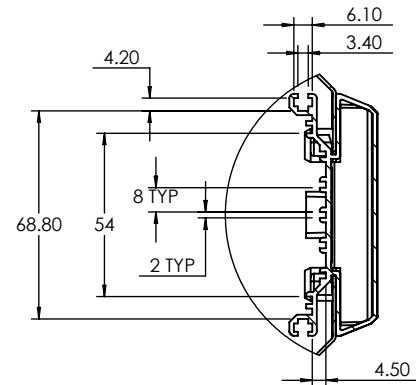
DETAIL C
 SCALE 4 : 5



 JAMES CARTER RD, MILDENHALL, SUFFOLK. IP28 7DE TEL: 01638 716101 FAX: 01638 716554 EMAIL: Sales@CamdenBoss.com WEB: www.CamdenBoss.com				UNLESS OTHERWISE SPECIFIED: DIMENSIONS ARE IN MILLIMETERS	DO NOT SCALE DRAWING	REVISION. ○
				GENERAL TOLERANCES +/- 0.2	TITLE: GNL ASSEMBLY DRG FOR CDIC00004 INSTRUMENT CASE	
	NAME	SIGNED	DATE	MATERIAL. VAR	DWG NO. CDIC00004	A4
DRAWN	IAN PAGANO	I.P.	18/02/13	FINISH. ---	SCALE: 1 : 2	SHEET 1 OF 1
CHK'D	-	-	-	PROJECTION.		

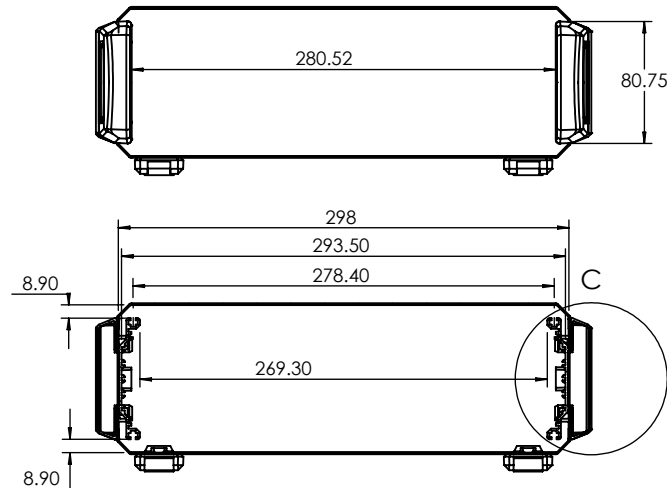


SECTION B-B

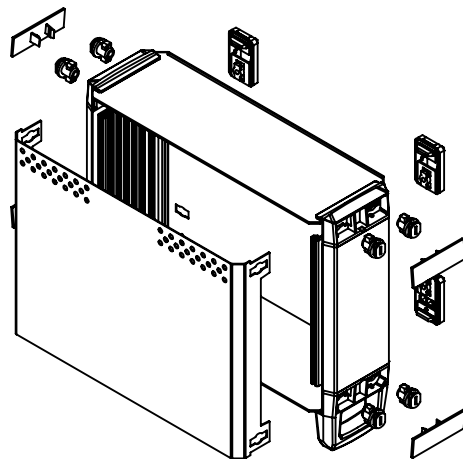


DETAIL C
SCALE 2 : 5

OVERALL ASSEMBLY DIMENSIONS:
EXTERNAL - 327.5 x 270.8 x 99.8
INTERNAL - 298 x 211 x 97.8



SECTION A-A



CAMDENBOSS
ELECTRONICS & ENCLOSURES
JAMES CARTER RD, MILDENHALL, SUFFOLK. IP28 7DE
TEL: 01638 716101 FAX: 01638 716554
EMAIL: Sales@CamdenBoss.com
WEB: www.CamdenBoss.com

UNLESS OTHERWISE SPECIFIED:
DIMENSIONS ARE IN MILLIMETERS

GENERAL TOLERANCES +/- 0.2

FINISH. ---

MATERIAL. VAR

PROJECTION.

DO NOT SCALE DRAWING

REVISION.

TITLE: GNL ASSEMBLY DRG FOR
110 SERIES - INSTRUMENTS CASE

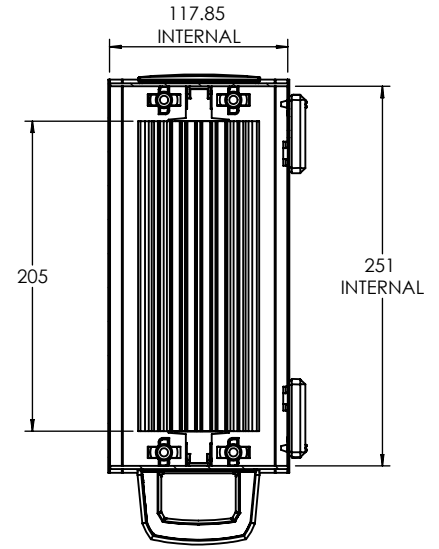
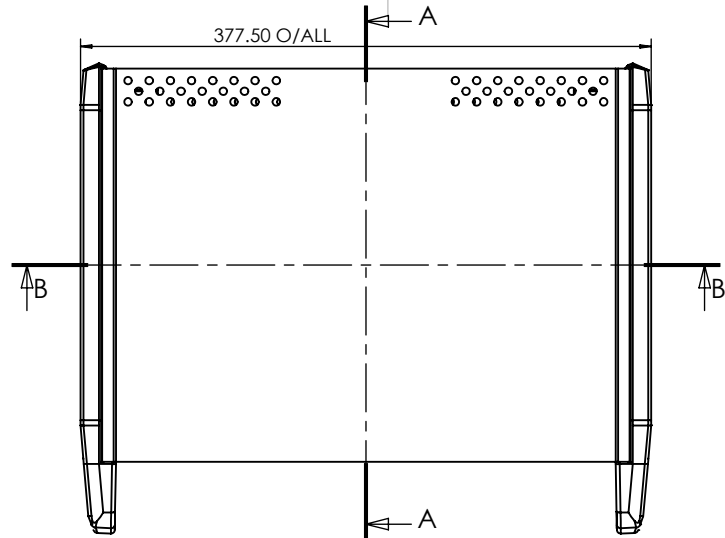
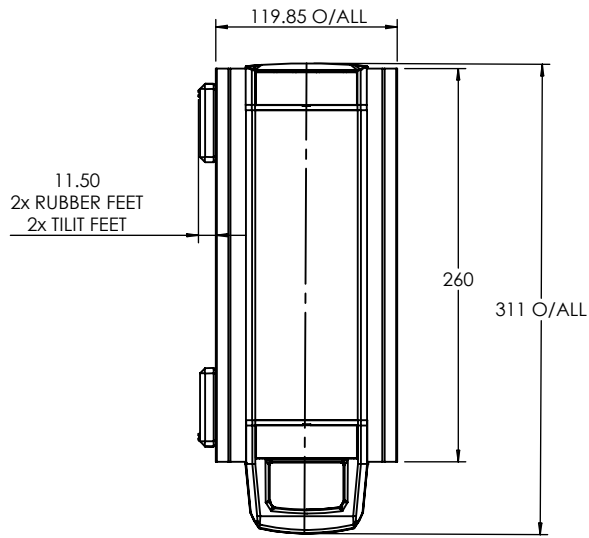
DWG NO. CDIC00005

A4

	NAME	SIGNED	DATE
DRAWN	IAN PAGANO	I.P.	18/02/13
CHKD	-	-	-

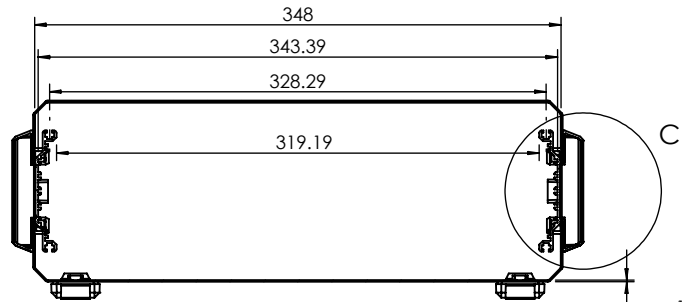
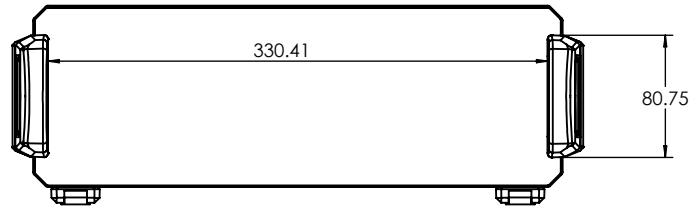
SCALE: 1 : 2

SHEET 1 OF 1



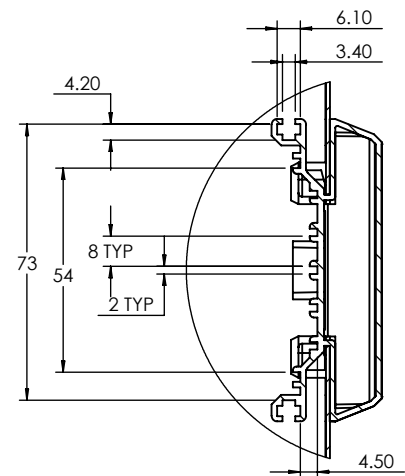
SECTION A-A
SCALE 1 : 5

OVERALL ASSEMBLY DIMENTIONS:
EXTERNAL - 377.5 x 311 x 119.85
INTERNAL - 348 x 251 x 117.8

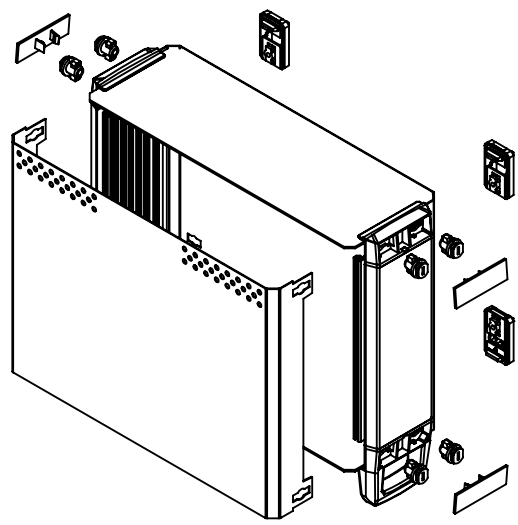


SECTION B-B
SCALE 1 : 5

1 mm
SHEET THICKNESS



DETAIL C
SCALE 1 : 2



ISO VIEW
1:7

CAMDENBOSS
ELECTRONICS & ENCLOSURES
JAMES CARTER RD, MILDENHALL, SUFFOLK. IP28 7DE
TEL: 01638 716101 FAX: 01638 716554
EMAIL: Sales@CamdenBoss.com
WEB: www.CamdenBoss.com

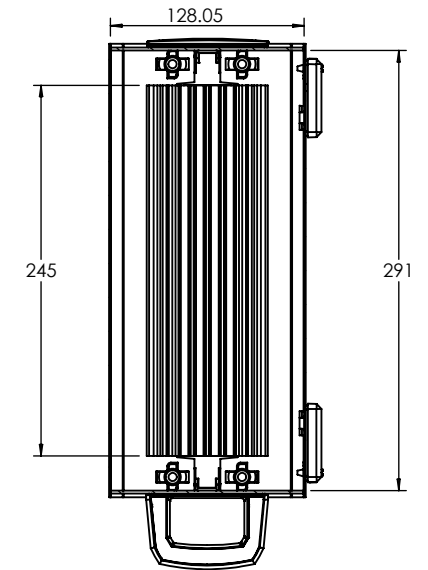
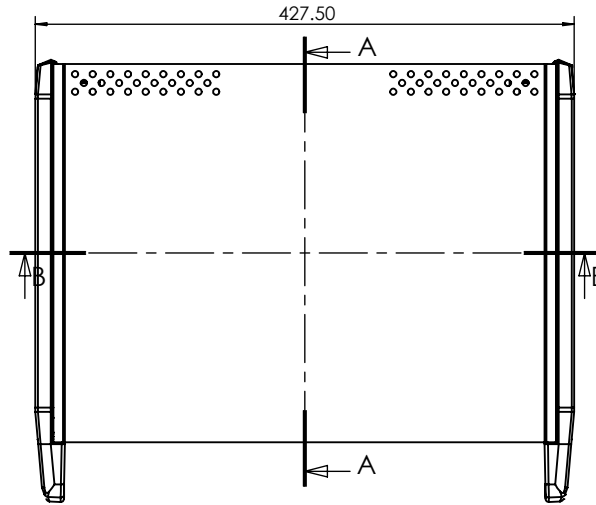
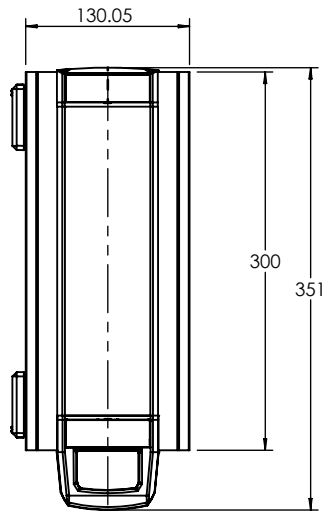
UNLESS OTHERWISE SPECIFIED:
DIMENSIONS ARE IN MILLIMETERS
GENERAL TOLERANCES +/- 0.2
FINISH: ---

DO NOT SCALE DRAWING REVISION: ○
TITLE: GNL ASSEMBLY DRG FOR 110 SERIES - INSTRUMENT CASE

	NAME	SIGNED	DATE
DRAWN	IAN PAGANO	I.P.	18/02/13
CHKD	-	-	-

MATERIAL: VAR
PROJECTION:

DWG NO. CDIC00006 A4
SCALE: 1 : 2 SHEET 1 OF 1

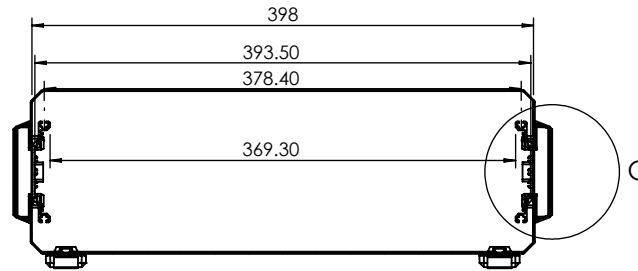
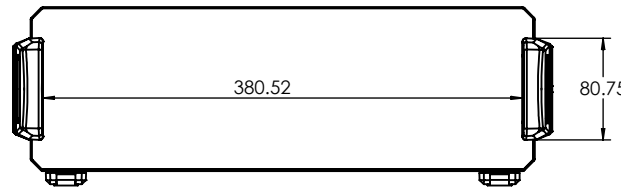


SECTION A-A
SCALE 1 : 5

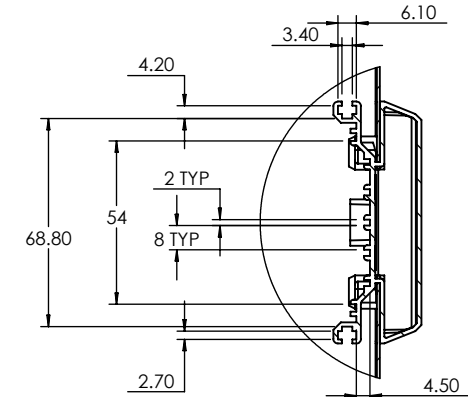
OVERALL ASSEMBLY DIMENSIONS:

EXTERNAL - 427.5 x 351 x 130

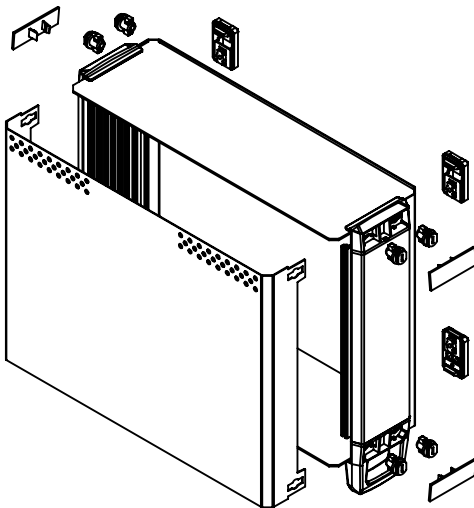
INTERNAL - 398 x 291 x 128



SECTION B-B
SCALE 1 : 6



DETAIL C
SCALE 2 : 5



CAMDENBOSS
ELECTRONICS & ENCLOSURES

JAMES CARTER RD, MILDENHALL, SUFFOLK. IP28 7DE
TEL: 01638 716101 FAX: 01638 716554
EMAIL: Sales@CamdenBoss.com
WEB: www.CamdenBoss.com

UNLESS OTHERWISE SPECIFIED:
DIMENSIONS ARE IN MILLIMETERS

GENERAL TOLERANCES +/- 0.2

FINISH. --- --

MATERIAL. VAR

PROJECTION.

DO NOT SCALE DRAWING

REVISION.

TITLE: GNL ASSEMBLY DRG FOR
110 SERIES - INSTRUMENT CASE

DWG NO. CDIC00007

A4

	NAME	SIGNED	DATE
DRAWN	IAN PAGANO	I.P.	21/02/13
CHKD	-	-	-

SCALE: 1 : 2

SHEET 1 OF 1