

HAND HELD CASES

62 Series Pock Boxes

Contemporary range of small robust hand-held boxes with bevelled and rounded edges

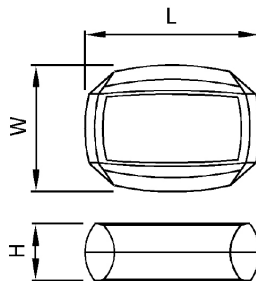
- Moulded in high impact ABS
- Snap-fit assembly
- Recesses in lid and base for membrane keypads or overlays
- Excellent properties for machining
- Key-ring lug style available
- Optional EPDM gasket for IP65 seal



SPECIFICATION

Material	Lid and base high impact ABS
Operating Temperature	Resistant to temperatures of up to 85°C
Protection class	IP62 as standard IP65 with gasket option
Standard colours	Light grey similar to RAL 7035 Black similar to RAL 9004
Standard unit includes	Lid & base
Options	IP65 gasket 3 & 6 button membrane keypad

BLACK	LIGHT GREY	LENGTH	WIDTH	HEIGHT	STYLE
CHH621BLK	CHH621GRY	55mm	40mm	18mm	-
CHH622BLK	CHH622GRY	60mm	40mm	18mm	key ring lug
CHH623BLK	CHH623GRY	70mm	50mm	20mm	-

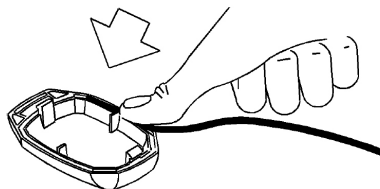


62-IP Gasket

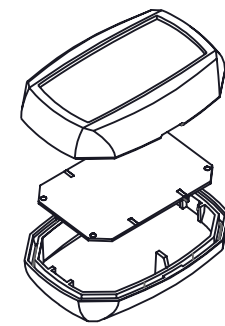
- EPDM rubber gasket
- IP65 protection
- Operating temperature -20°C to +85°C



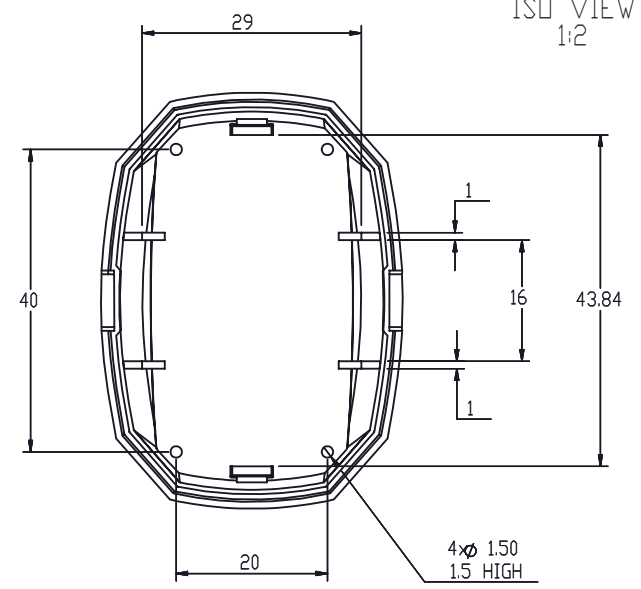
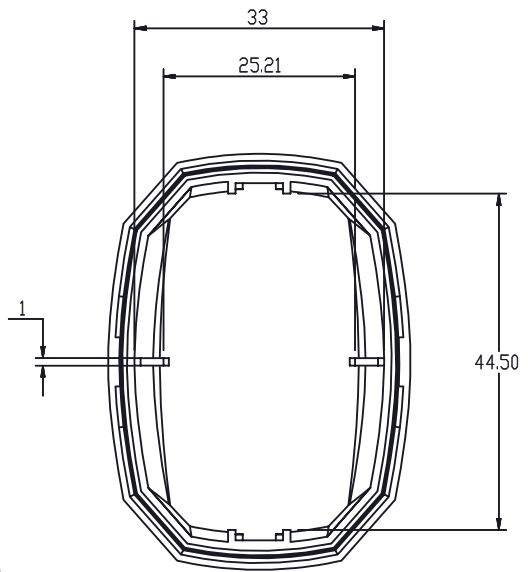
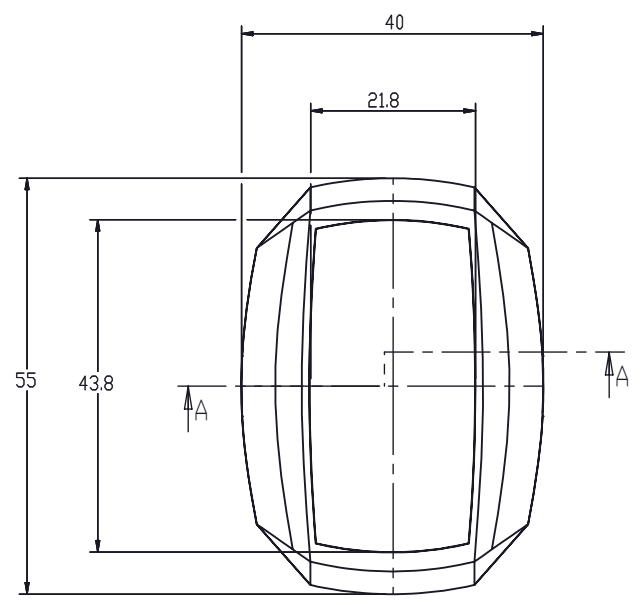
TYPE NO.	DESCRIPTION
CHH62GASK	31-IP Gasket



OVERALL ASSEMBLY DIMENSIONS:
 EXTERNAL - 55 x 40 x 18
 INTERNAL - 43.8 x 33 max (PCB 29) x 10.6



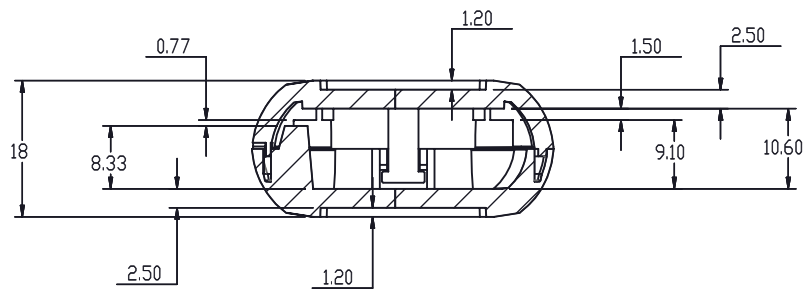
ISO VIEW
1:2



ASSEMBLY

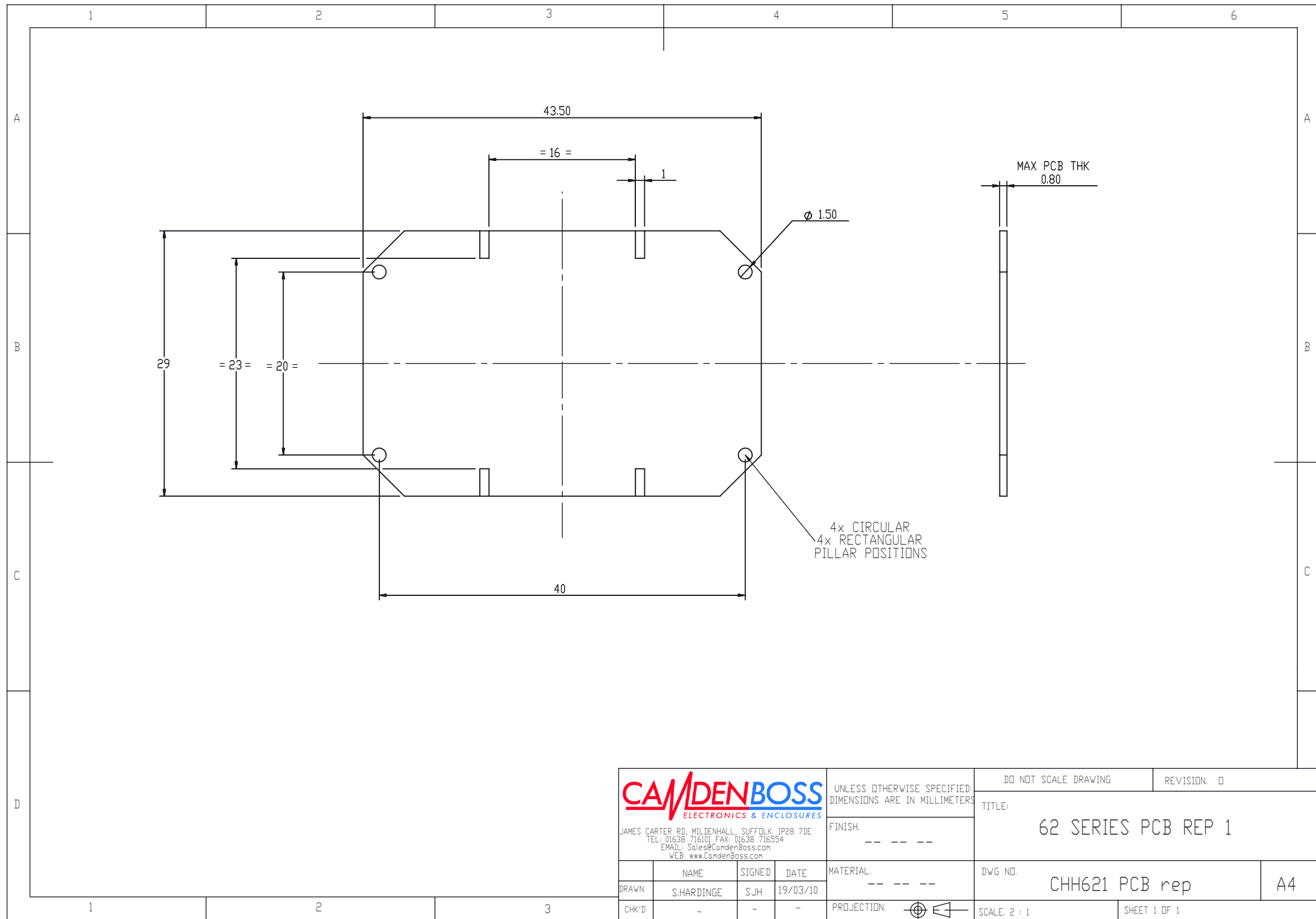
LID

BASE

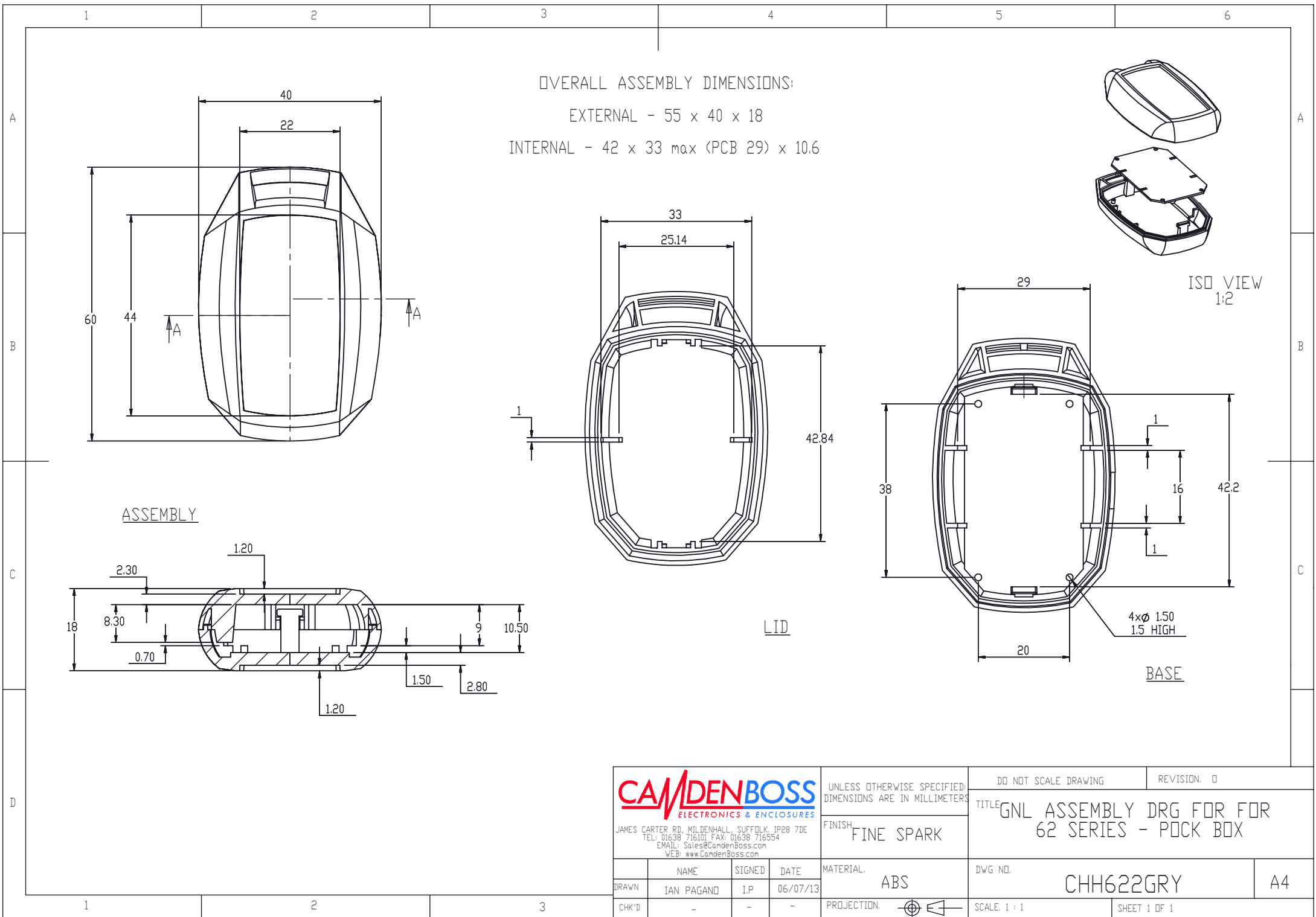


 UNLESS OTHERWISE SPECIFIED: DIMENSIONS ARE IN MILLIMETERS		DO NOT SCALE DRAWING	REVISION: 0
		TITLE: GNL ASSEMBLY DRG FOR 62 SERIES - POCK BOX	
JAMES CARTER RD, MILDENHALL, SUFFOLK, IP28 7DE TEL: 01638 716101 FAX: 01638 716554 EMAIL: Sales@CamdenBoss.com WEB: www.CamdenBoss.com		FINISH: FINE SPARK	DWG NO. CHH621GRY
DRAWN IAN PAGANO	SIGNED I.P.	DATE 06/07/13	MATERIAL: ABS
CHK'D -	-	-	PROJECTION:
		SCALE: 1 : 2	SHEET 1 OF 1

A4



			UNLESS OTHERWISE SPECIFIED: DIMENSIONS ARE IN MILLIMETERS		DO NOT SCALE DRAWING	REVISION: 0
			FINISH: - - - - -		TITLE: 62 SERIES PCB REP 1	
JAMES CARTER RD, MILDENHALL, SUFFOLK, IP28 7DE TEL: 01638 716101 FAX: 01638 716554 EMAIL: Sales@CamdenBoss.com WEB: www.CamdenBoss.com			MATERIAL: - - - - -		DWG NO.	A4
DRAWN	S.HARDINGE	SJH	19/03/10	PROJECTION:	SCALE: 2 : 1	SHEET 1 OF 1
CHK'D	-	-	-			



CAMDENBOSS
 ELECTRONICS & ENCLOSURES
 JAMES CARTER RD, MILDENHALL, SUFFOLK, IP28 7DE
 TEL: 01638 716101 FAX: 01638 716554
 EMAIL: Sales@CamdenBoss.com
 WEB: www.CamdenBoss.com

UNLESS OTHERWISE SPECIFIED:
 DIMENSIONS ARE IN MILLIMETERS

FINISH
 FINE SPARK

DO NOT SCALE DRAWING REVISION: 0

TITLE: GNL ASSEMBLY DRG FOR FOR
 62 SERIES - POCK BOX

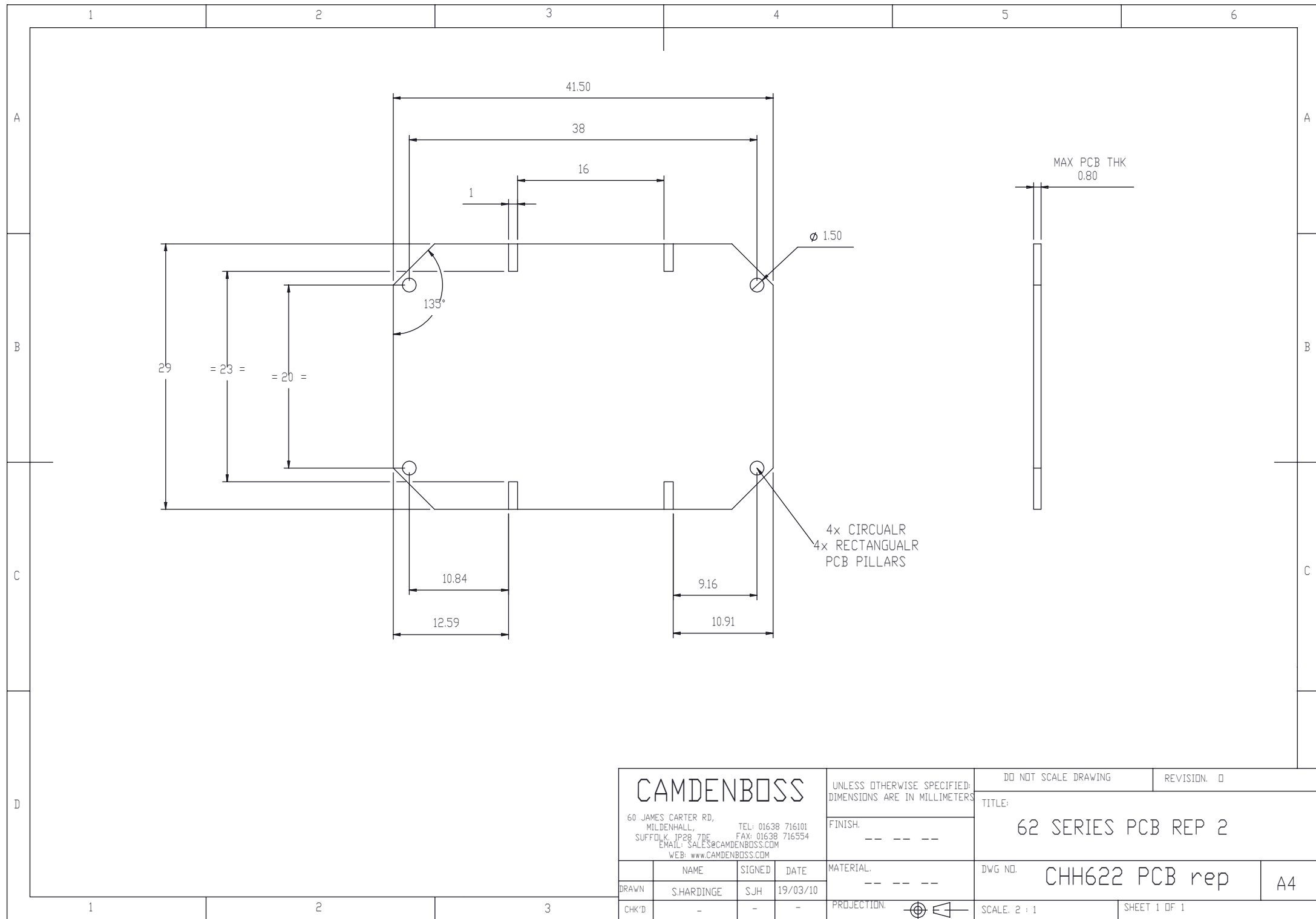
	NAME	SIGNED	DATE
DRAWN	IAN PAGANO	I.P.	06/07/13
CHK'D	-	-	-

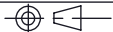
MATERIAL:
 ABS

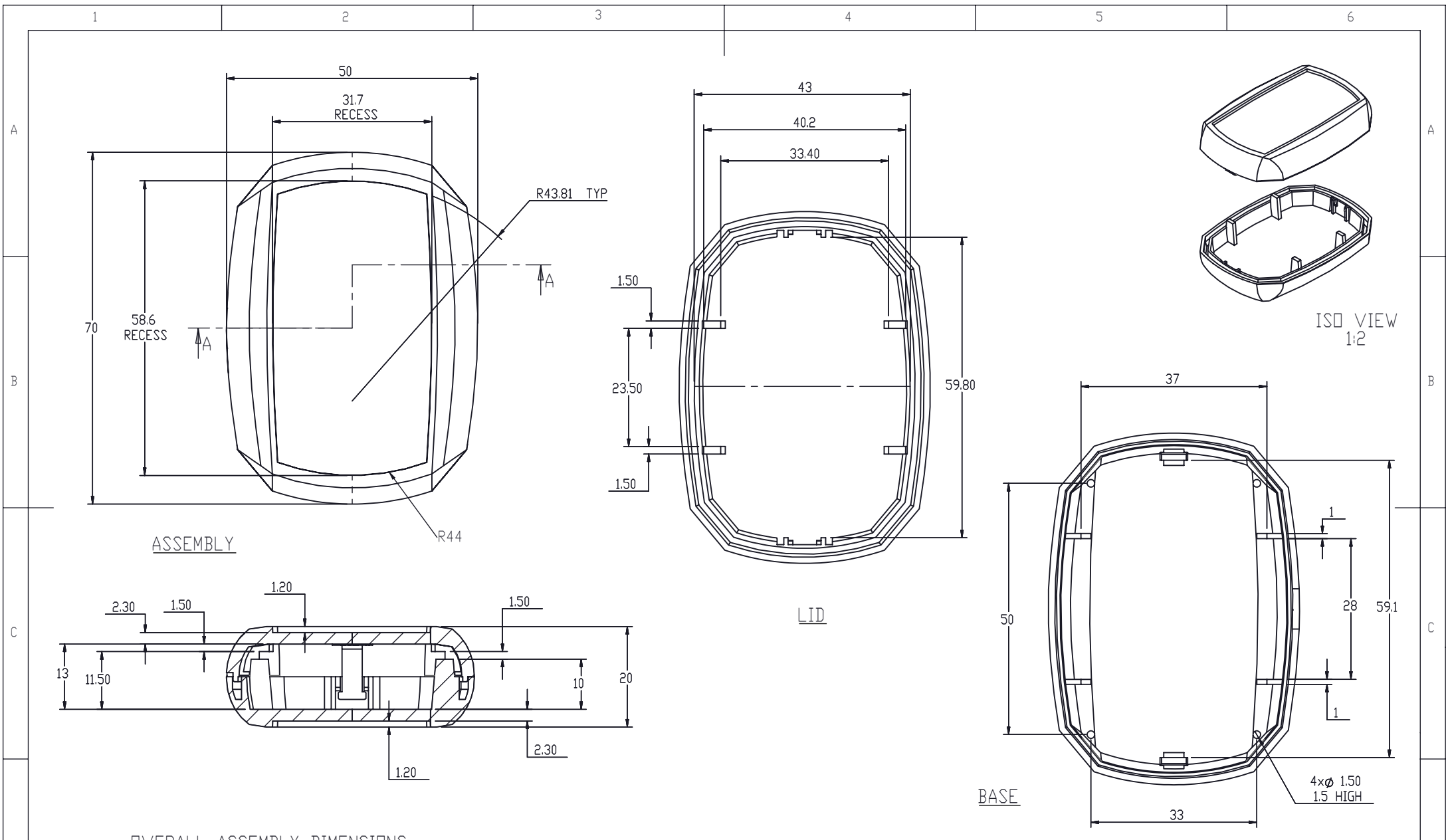
PROJECTION:

DWG NO. CHH622GRY A4

SCALE: 1 : 1 SHEET 1 OF 1

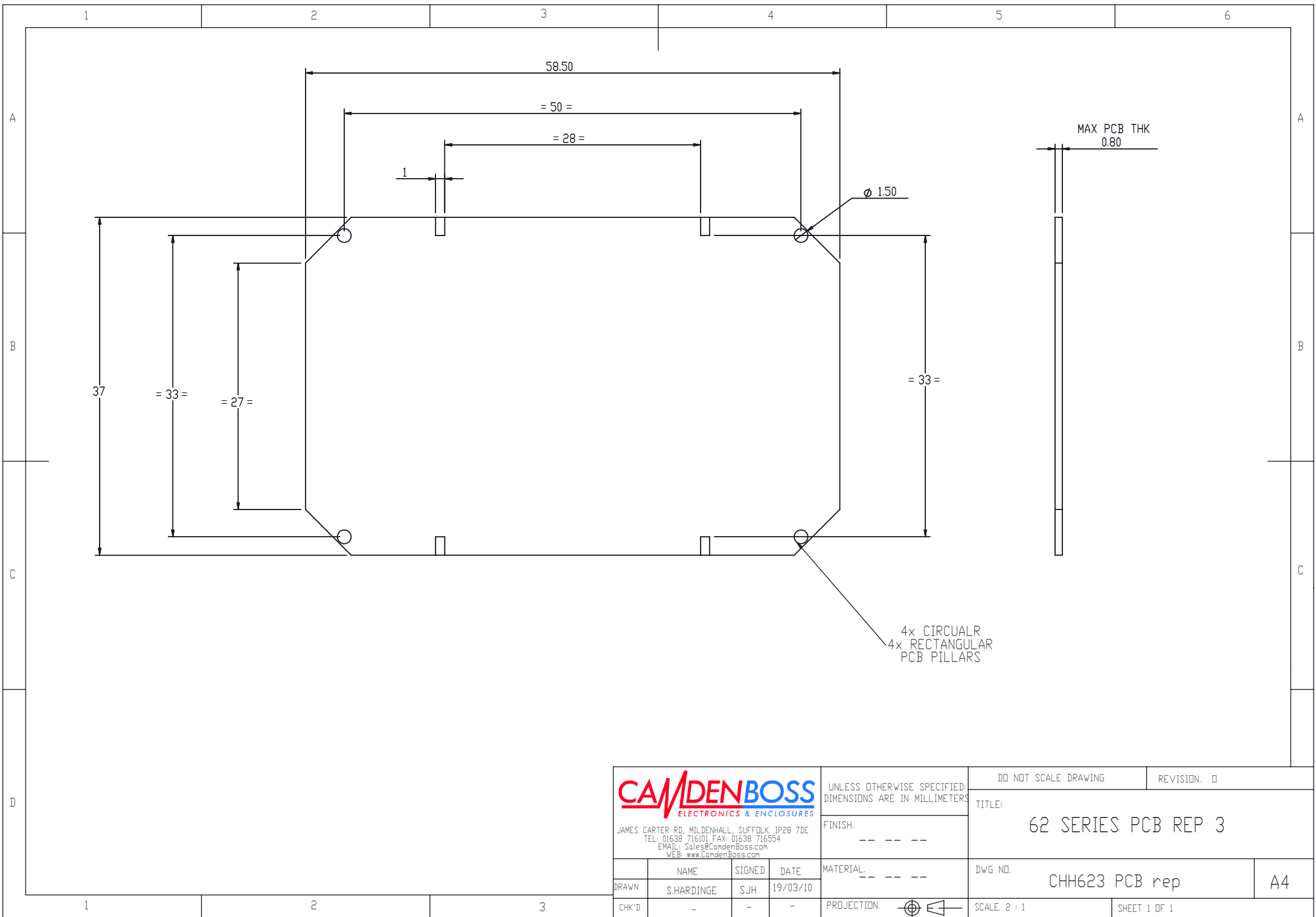


CAMDENBOSS 60 JAMES CARTER RD, MILDENHALL, SUFFOLK IP28 7DE TEL: 01638 716101 FAX: 01638 716554 EMAIL: SALES@CAMDENBOSS.COM WEB: WWW.CAMDENBOSS.COM			UNLESS OTHERWISE SPECIFIED: DIMENSIONS ARE IN MILLIMETERS	DO NOT SCALE DRAWING	REVISION: 0	
			FINISH: ---	TITLE: 62 SERIES PCB REP 2		
DRAWN	NAME S.HARDINGE	SIGNED SJH	DATE 19/03/10	MATERIAL: ---	DWG NO. CHH622 PCB rep	A4
CHK'D	-	-	-	PROJECTION: 	SCALE: 2 : 1	SHEET 1 OF 1



OVERALL ASSEMBLY DIMENSIONS:
 EXTERNAL - 70 x 50 x 20
 INTERNAL - 59 x 43 max (PCB 37) x 13

 JAMES CARTER RD, MILDENHALL, SUFFOLK, IP28 7DE TEL: 01638 716101 FAX: 01638 716554 EMAIL: Sales@CamdenBoss.com WEB: www.CamdenBoss.com		UNLESS OTHERWISE SPECIFIED: DIMENSIONS ARE IN MILLIMETERS	DO NOT SCALE DRAWING	REVISION: 0		
		FINISH: FINE SPARK	TITLE: GNL ASSEMBLY DRG FOR 62 SERIES - POCK BOX			
DRAWN	IAN PAGANO	I.P.	06/08/013	MATERIAL: ABS	DWG NO. CHH623GRY	A4
CHK'D	-	-	-	PROJECTION:	SCALE: 1 : 1	SHEET 1 OF 1



CAMDENBOSS
ELECTRONICS & ENCLOSURES

JAMES CARTER RD, MILDENHALL, SUFFOLK. IP28 7DE
TEL: 01638 716101 FAX: 01638 716554
EMAIL: Sales@CamdenBoss.com
WEB: www.CamdenBoss.com

UNLESS OTHERWISE SPECIFIED:
DIMENSIONS ARE IN MILLIMETERS

DO NOT SCALE DRAWING

REVISION: 0

FINISH:
- - - - -

TITLE:
62 SERIES PCB REP 3

	NAME	SIGNED	DATE
DRAWN	S.HARDINGE	SJH	19/03/10

MATERIAL:
- - - - -

DWG NO.
CHH623 PCB rep

A4

CHK'D	-	-	-
-------	---	---	---

PROJECTION:

SCALE: 2 : 1

SHEET 1 OF 1