

UNIVERSAL ENCLOSURES

UNIVERSAL ENCLOSURES

1100 Series Stylish ABS Cases

1101 ABS Lid

Aesthetic electronic enclosures with solid ABS lid, designed for a broad range of applications.

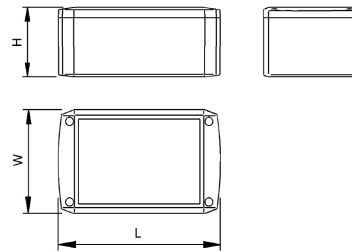
- Lid and base moulded in ABS- UL94-V0
- Lid mounted by four M3 machine screws
- Rubber plugs (included) hidden screw heads
- Bevelled edges and curved side walls
- 1.2mm membrane keypad recesses in lid and base
- Polished finish for ease of cleaning and stylish appearance
- Deep profile for maximum internal volume
- Plastic standoffs in base for mounting of PCBs
- Excellent properties for machining



SPECIFICATION

Materials	Lid & base high impact ABS-UL94-V0 Screw covers rubber
Operating temperature	Resistant to temperatures up to 85°C
Protection class	IP54
Standard colours	Light grey similar to RAL 7035
Standard unit includes:	Lid and Base 4 x M3 machine screws 4 x rubber screw covers

LIGHT GREY	LENGTH	WIDTH	HEIGHT
CSACST001	90mm	50mm	35mm
CSACST002	110mm	60mm	40mm
CSACST003	125mm	75mm	50mm
CSACST004	155mm	95mm	60mm
CSACST005	190mm	115mm	75mm
CSACST006	220mm	140mm	90mm



1102 Transparent Lid

Electronic enclosures featuring a transparent lid, designed for applications that require visible electronics. High impact polycarbonate smoked effect lid.

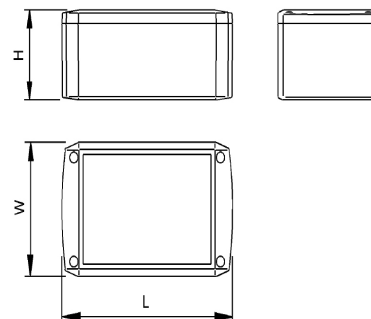
- Box moulded in ABS, UL94-V0
- Lid moulded in transparent, Polycarbonate, UL94-V0
- Lid mounted by four M3 machines screws
- Rubber plugs (included) hidden screw heads
- Bevelled edges and curved side walls
- 1.2mm membrane keypad recesses in lid and base
- Polished finish for ease of cleaning and stylish appearance
- Deep profile for maximum internal volume
- Pillars in base for mounting of PCBs
- Excellent properties for machining



SPECIFICATION

Materials	Lid High Impact PC, UL94-V0 Base High Impact ABS, UL94-V0 Screw covers rubber
Operating temperature	Base resistant to temperatures up to 85°C Lid resistant to temperatures up to 120°C
Protection class	IP54
Standard colours	Light grey similar to RAL 7035
Standard unit includes:	Lid and Base 4 x M3 machine screws 4 x rubber screw covers

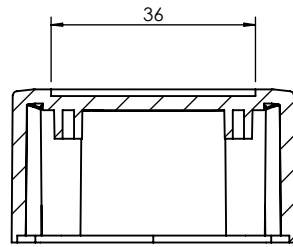
LIGHT GREY	LENGTH	WIDTH	HEIGHT
CSACTT001	90mm	50mm	35mm
CSACTT002	110mm	60mm	40mm
CSACTT003	125mm	75mm	50mm
CSACTT004	155mm	95mm	60mm
CSACTT005	190mm	115mm	75mm
CSACTT006	220mm	140mm	90mm



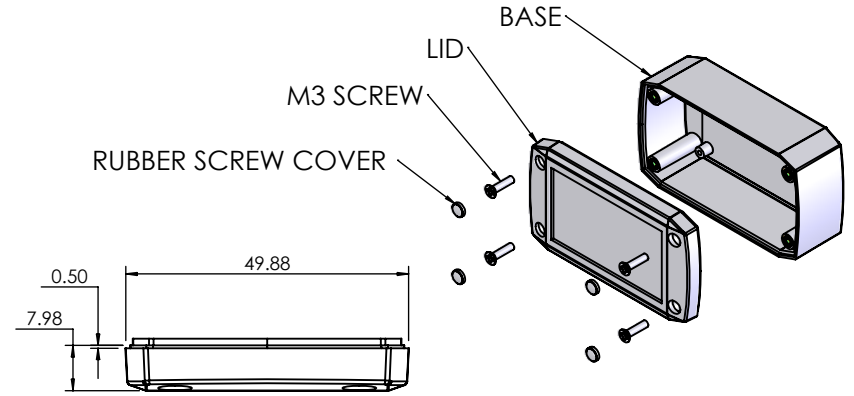
OVERALL ASSEMBLY DIMENSIONS:

EXTERNAL - 90 x 50 x 35

INTERNAL - 85 x 45 x 27.5



SECTION A-A

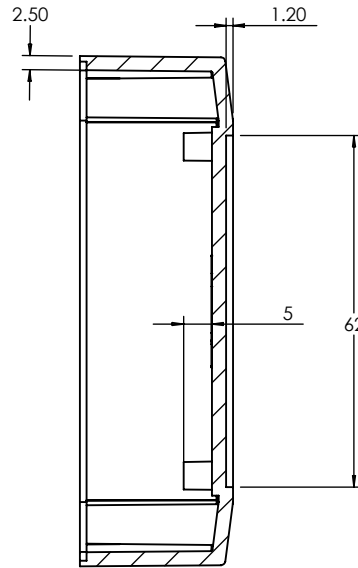
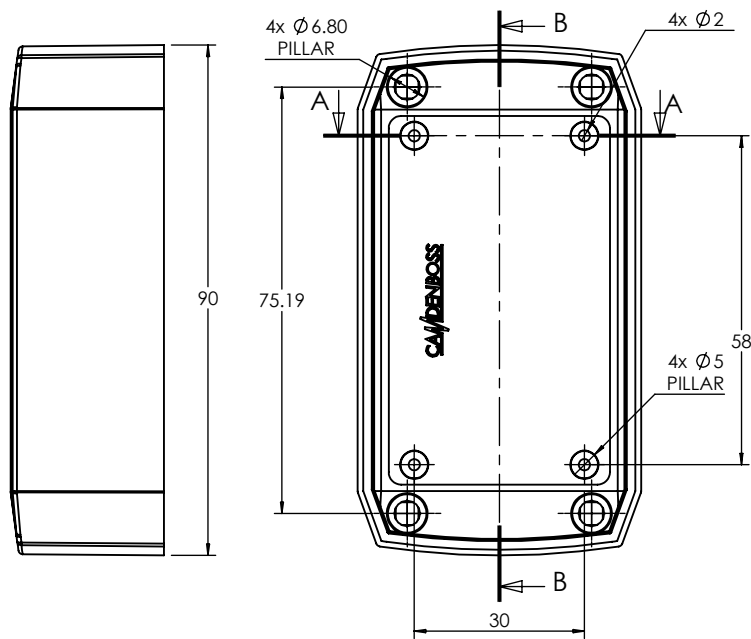


A

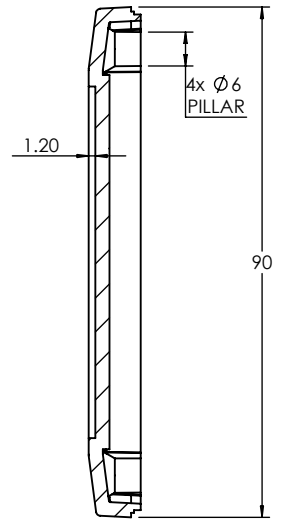
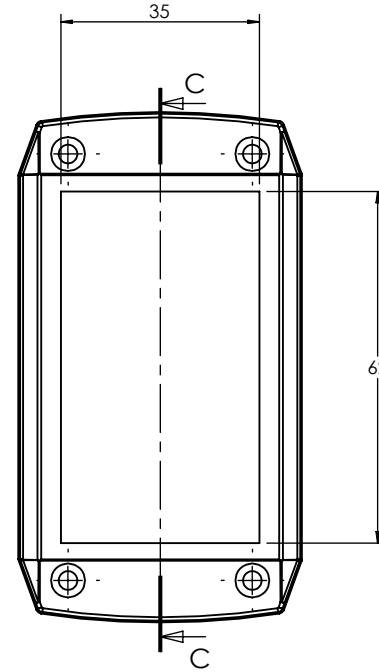
A

B

B



SECTION B-B

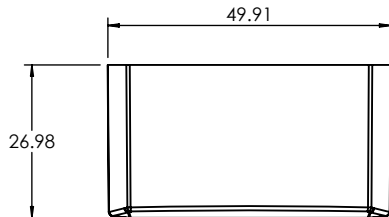


SECTION C-C

C

C

BASE



LID

D

<p>JAMES CARTER RD, MILDENHALL, SUFFOLK, IP28 7DE TEL: 01638 716101 FAX: 01638 716554 EMAIL: Sales@CamdenBoss.com WEB: www.CamdenBoss.com</p>				UNLESS OTHERWISE SPECIFIED: DIMENSIONS ARE IN MILLIMETERS		DO NOT SCALE DRAWING		REVISION. 0	
				FINISH. SMOOTH		TITLE: GNL ASSEMBLY DRG FOR 1101 SERIES - CSACST001			
DRAWN IAN PAGANO		SIGNED I.P.	DATE 06/07/13	MATERIAL. ABS		DWG NO. CSACST001		A4	
CHKD -		-	-	PROJECTION.		SCALE: 3 : 4		SHEET 1 OF 1	

1

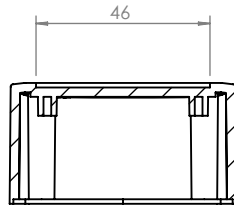
2

3

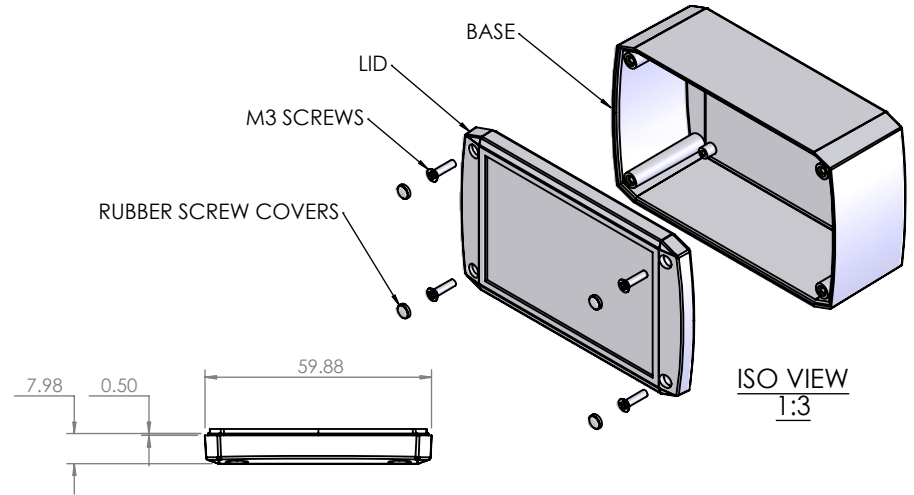
OVERALL ASSEMBLY DIMENSIONS:

EXTERNAL - 110 x 60 x 40

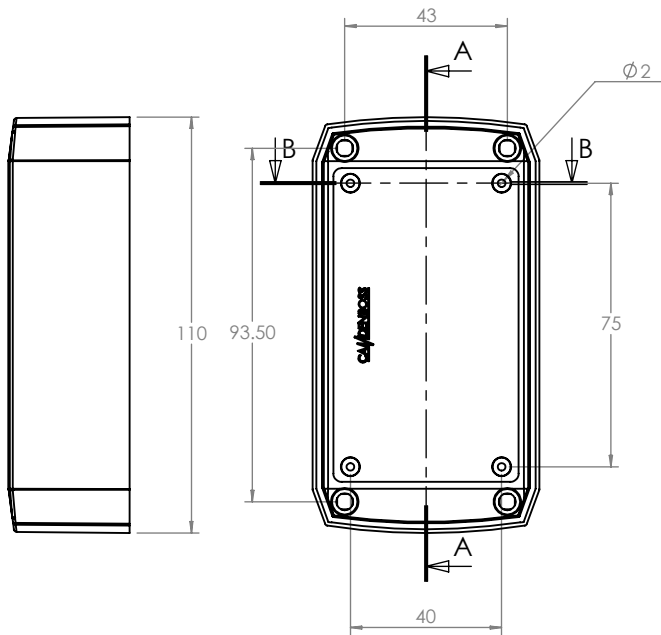
INTERNAL - 105 x 55 x 32.5



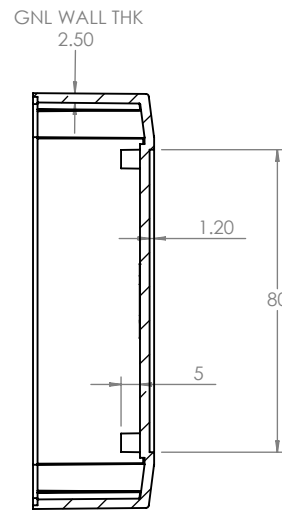
SECTION B-B



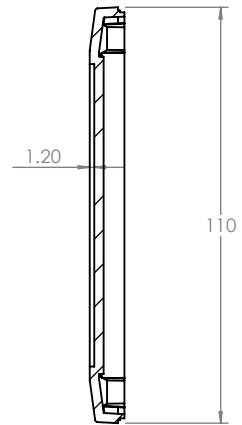
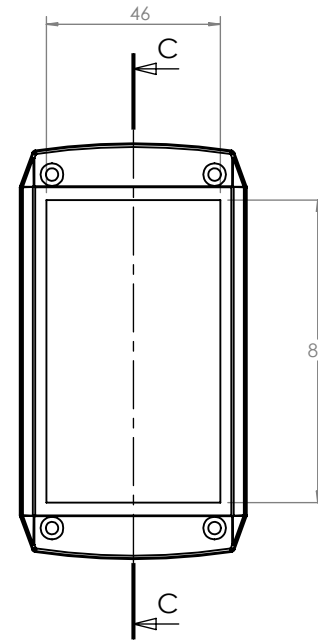
ISO VIEW
1:3



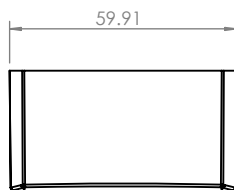
BASE



SECTION A-A



SECTION C-C LID



CAMDENBOSS
ELECTRONICS & ENCLOSURES

JAMES CARTER RD, MILDENHALL, SUFFOLK. IP28 7DE
TEL: 01638 716101 FAX: 01638 716554
EMAIL: Sales@CamdenBoss.com
WEB: www.CamdenBoss.com

UNLESS OTHERWISE SPECIFIED:
DIMENSIONS ARE IN MILLIMETERS

FINISH:
SMOOTH

MATERIAL:
ABS

PROJECTION:

DO NOT SCALE DRAWING

REVISION: 0

TITLE: GNL ASSEMBLY DRG FOR
1101 SERIES - CSACST002

DWG NO.

CSACST002

A4

SCALE: 1:2

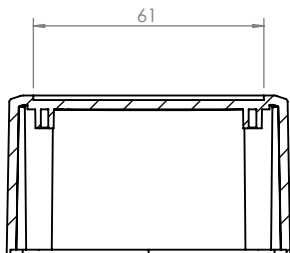
SHEET 1 OF 1

	NAME	SIGNED	DATE
DRAWN	IAN PAGANO	I.P.	17/06/13
CHKD	-	-	-

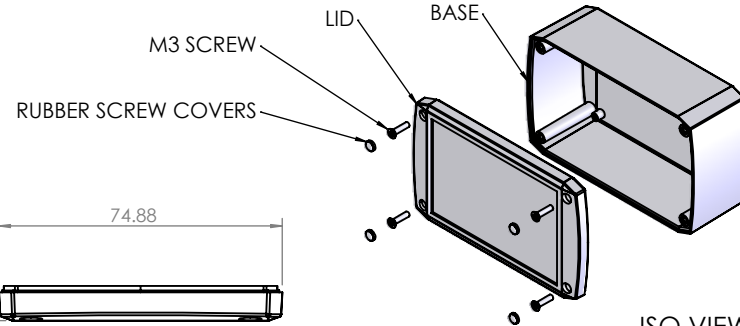
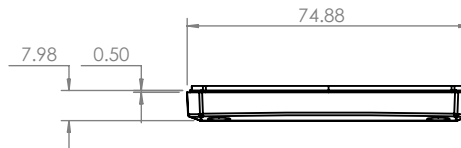
OVERALL ASSEMBLY DIMENSIONS:

EXTERNAL - 125 x 75 x 50

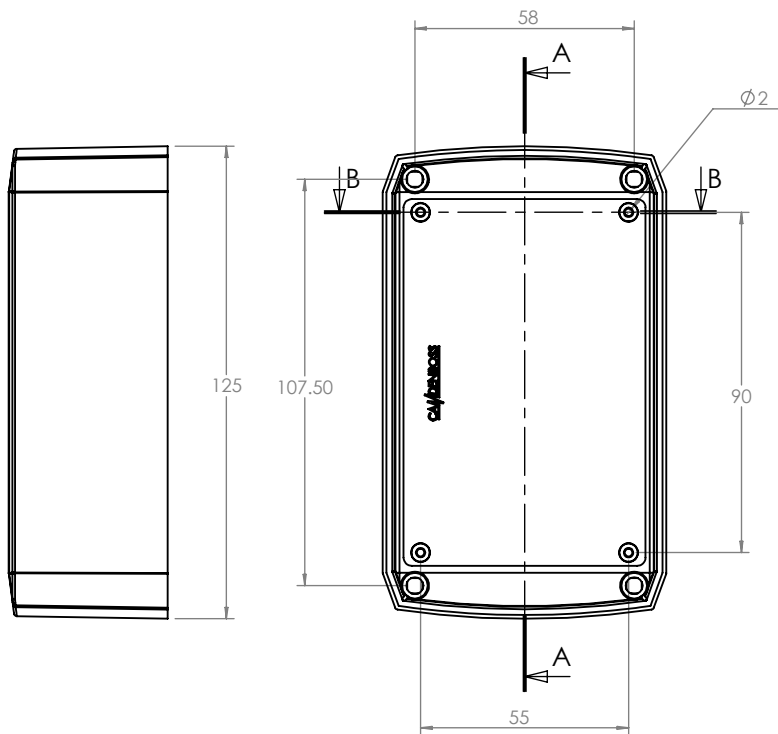
INTERNAL - 120 x 70 x 42.5



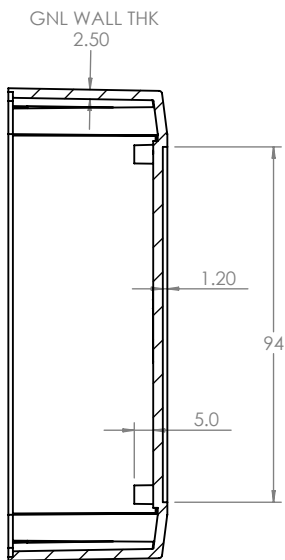
SECTION B-B



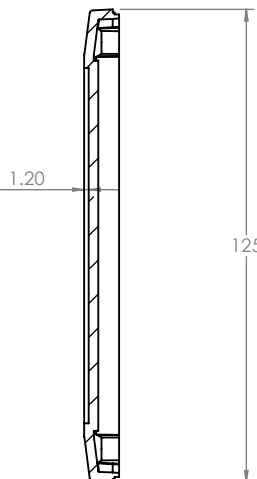
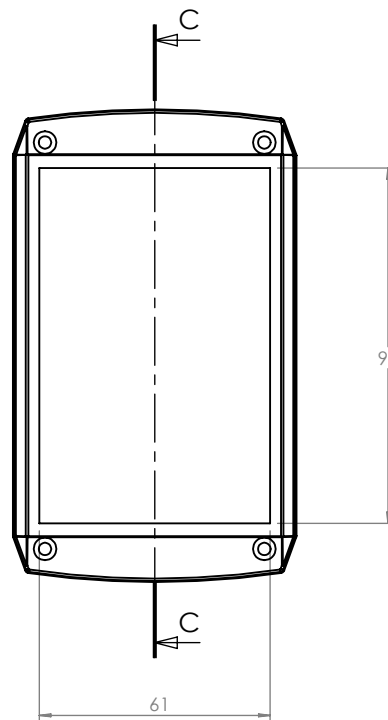
ISO VIEW 1:4



BASE

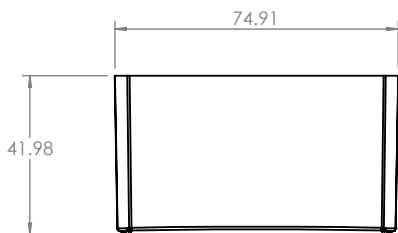


SECTION A-A



SECTION C-C

LID

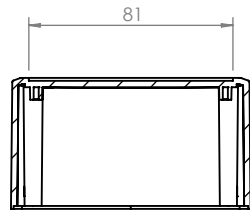


<p>UNLESS OTHERWISE SPECIFIED: DIMENSIONS ARE IN MILLIMETERS</p>				DO NOT SCALE DRAWING	REVISION: 0
				TITLE: GNL ASSEMBLY DRG FOR 1101 SERIES - CSACST003	
FINISH: SMOOTH MATERIAL: ABS				DWG NO. CSACST003	A4
DRAWN	IAN PAGANO	SIGNED	I.P.	DATE	06/07/13
CHKD	-	-	-	PROJECTION:	
				SCALE: 1:2	SHEET 1 OF 1

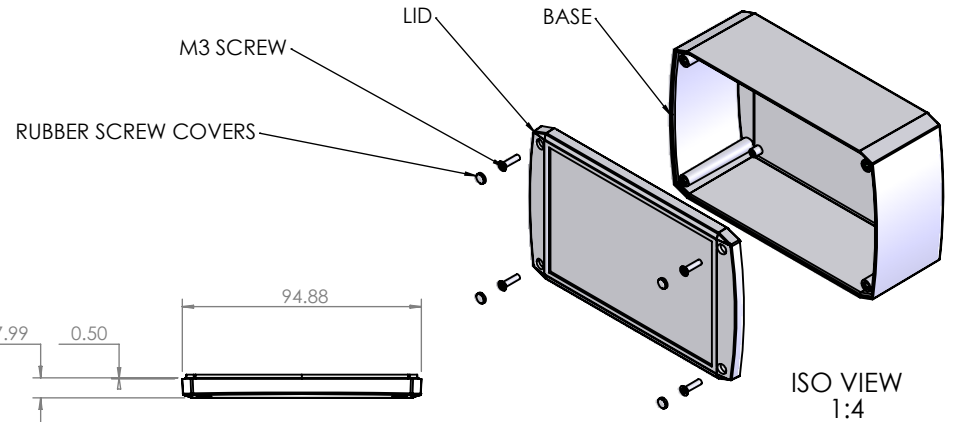
OVERALL ASSEMBLY DIMENSIONS:

EXTERNAL - 155 x 95 x 60

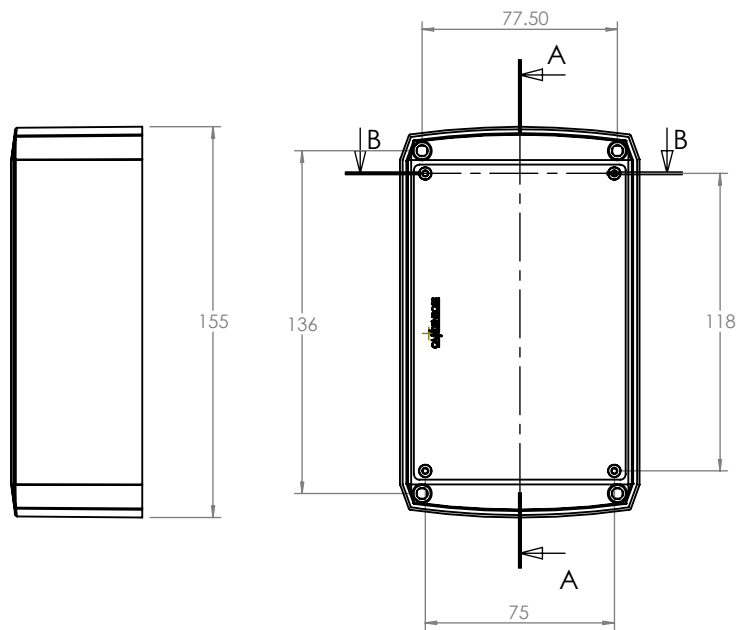
INTERNAL - 150 x 90 x 52.5



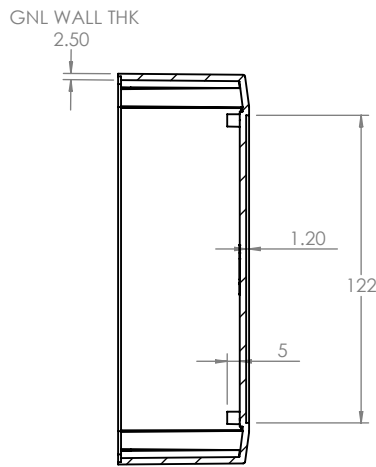
SECTION B-B



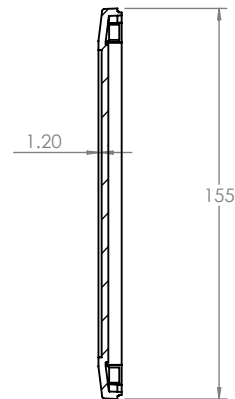
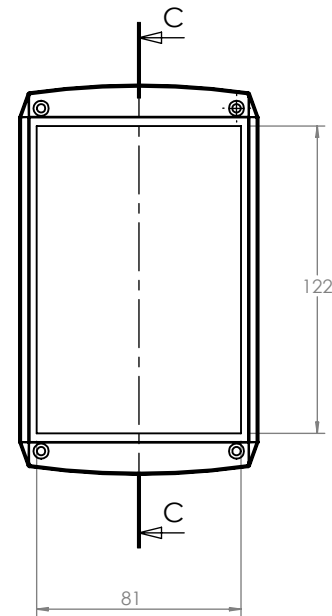
ISO VIEW 1:4



BASE

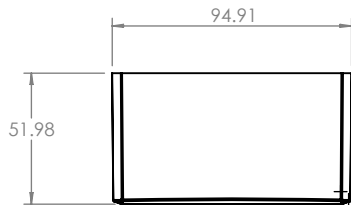


SECTION A-A



SECTION C-C

LID

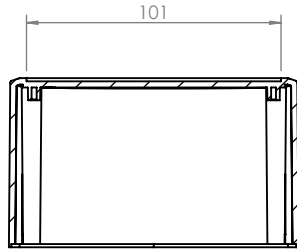


<p>JAMES CARTER RD, MILDENHALL, SUFFOLK. IP28 7DE TEL: 01638 716101 FAX: 01638 716554 EMAIL: Sales@CamdenBoss.com WEB: www.CamdenBoss.com</p>				UNLESS OTHERWISE SPECIFIED: DIMENSIONS ARE IN MILLIMETERS		DO NOT SCALE DRAWING		REVISION. 0		
				FINISH. SMOOTH		TITLE: GNL ASSEMBLY DRG FOR 1101 SERIES - CSACST004				
DRAWN IAN PAGANO		SIGNED I.P.		DATE 06/07/13		MATERIAL. ABS		DWG NO. CSACST004		A4
CHKD -		-		-		PROJECTION.		SCALE. 1 : 3		SHEET 1 OF 1

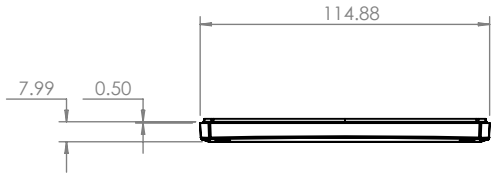
OVERALL ASSEMBLY DIMENSIONS:

EXTERNAL - 190 x 155 x 75

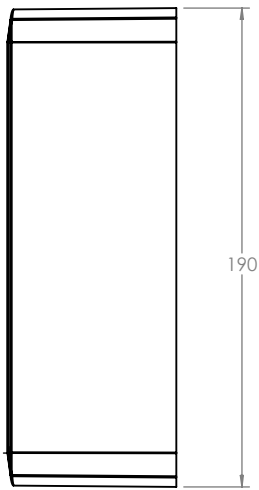
INTERNAL - 185 x 150 x 67.5



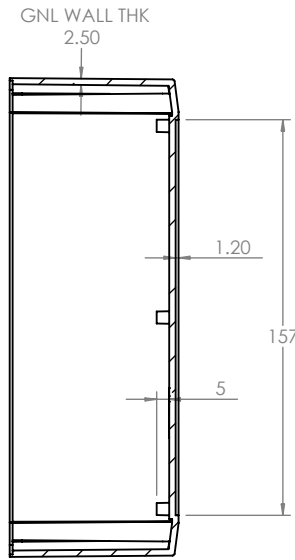
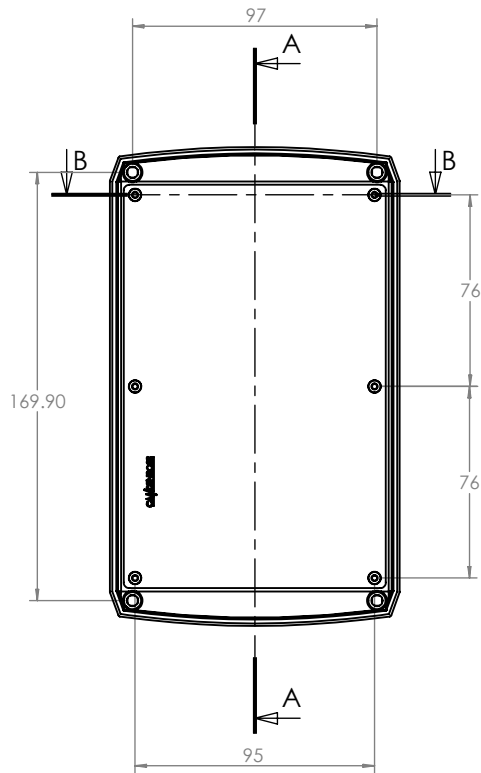
SECTION B-B



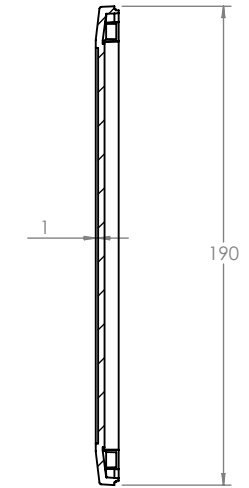
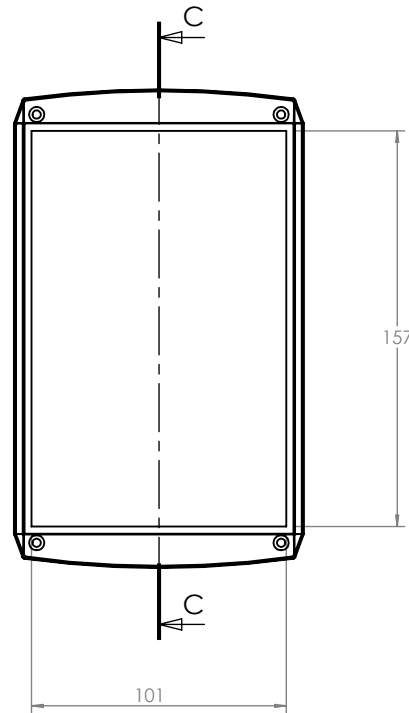
ISO VIEW
1:5



BASE

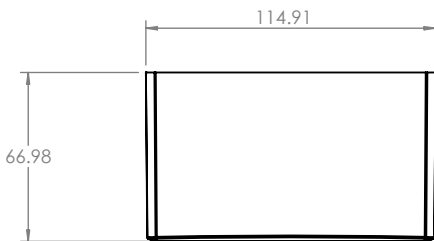


SECTION A-A



SECTION C-C

LID



CAMDENBOSS
ELECTRONICS & ENCLOSURES

JAMES CARTER RD, MILDENHALL, SUFFOLK. IP28 7DE
TEL: 01638 716101 FAX: 01638 716554
EMAIL: Sales@CamdenBoss.com
WEB: www.CamdenBoss.com

UNLESS OTHERWISE SPECIFIED:
DIMENSIONS ARE IN MILLIMETERS

GENERAL TOLERANCES +/- 0.2

FINISH. SMOOTH

MATERIAL. ABS

PROJECTION.

DO NOT SCALE DRAWING

REVISION.

TITLE: GENERAL DIMENSION DRAWING
FOR 1100 SERIES SIZE 4

DWG NO.

CSACST005

A4

SCALE: 1:2

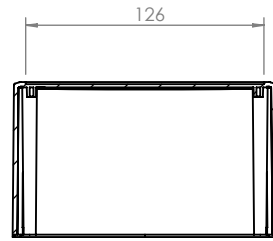
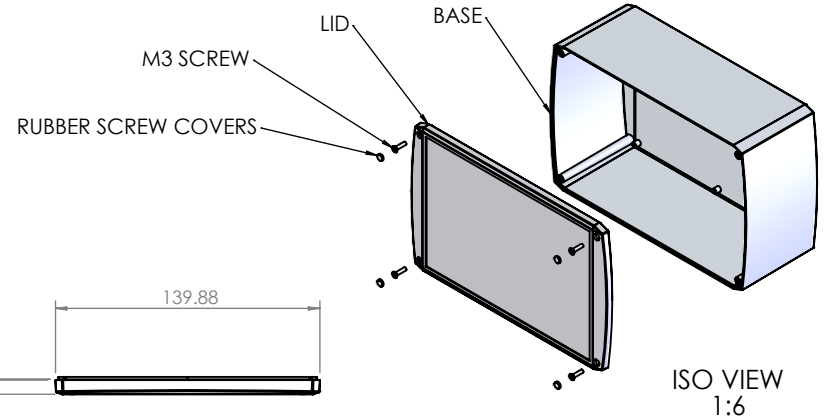
SHEET 1 OF 1

	NAME	SIGNED	DATE
DRAWN	IAN PAGANO	I.P.	22/07/13
CHKD	-	-	-

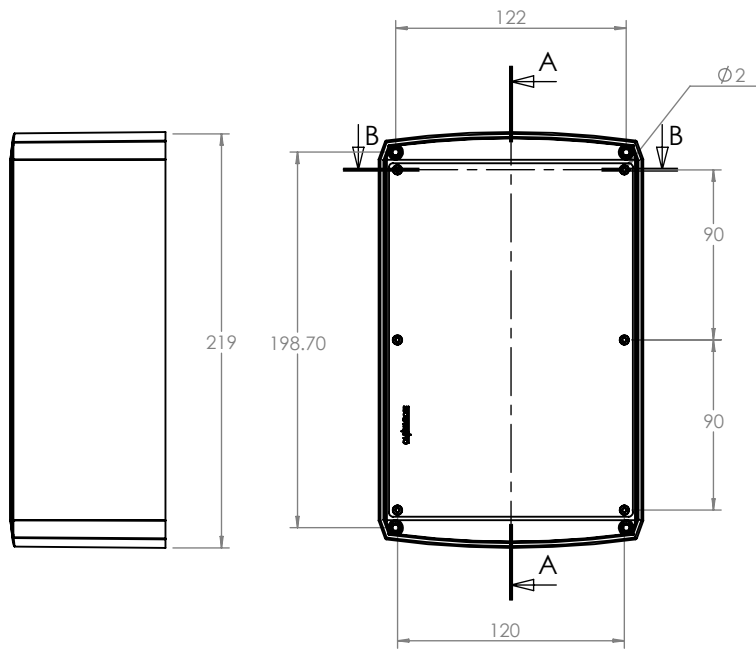
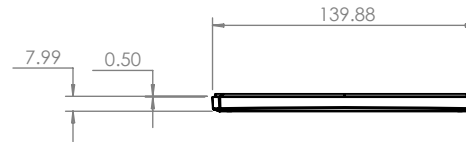
OVERALL ASSEMBLY DIMENSIONS:

EXTERNAL - 220 x 140 x 90

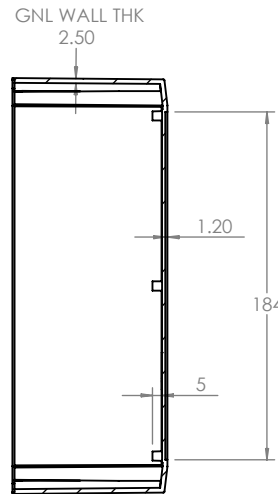
INTERNAL - 215 x 135 x 82.5



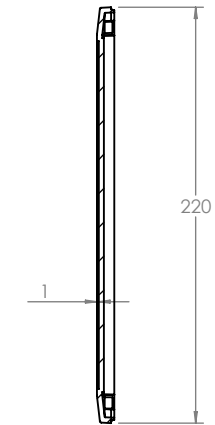
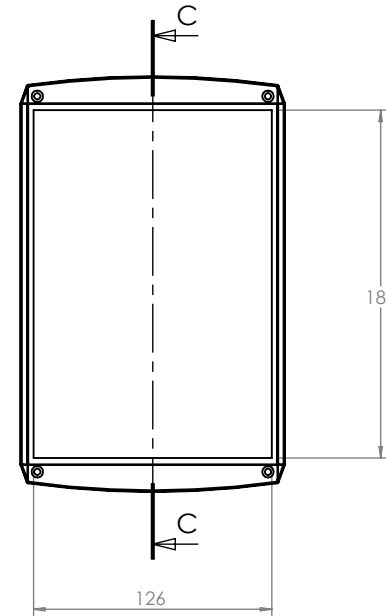
SECTION B-B



BASE

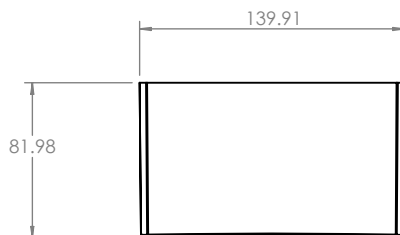


SECTION A-A



SECTION C-C

LID



<p>UNLESS OTHERWISE SPECIFIED: DIMENSIONS ARE IN MILLIMETERS</p>				DO NOT SCALE DRAWING	REVISION: 0
				TITLE: GNL ASSEMBLY DRG FOR 1101 SERIES - CSACST006	
FINISH: SMOOTH				DWG NO.	CSACST006
MATERIAL: ABS				SCALE: 1 : 4	SHEET 1 OF 1
DRAWN	NAME: IAN PAGANO	SIGNED: I.P.	DATE: 06/08/13	A4	
CHKD	-	-	-	PROJECTION:	