

# UNIVERSAL ENCLOSURES

UNIVERSAL ENCLOSURES

## 1100 Series Stylish ABS Cases

### 1101 ABS Lid

Aesthetic electronic enclosures with solid ABS lid, designed for a broad range of applications.

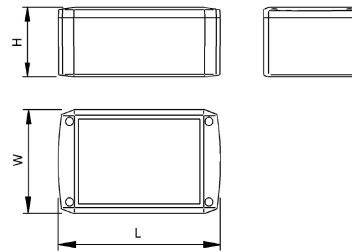
- Lid and base moulded in ABS- UL94-V0
- Lid mounted by four M3 machine screws
- Rubber plugs (included) hidden screw heads
- Bevelled edges and curved side walls
- 1.2mm membrane keypad recesses in lid and base
- Polished finish for ease of cleaning and stylish appearance
- Deep profile for maximum internal volume
- Plastic standoffs in base for mounting of PCBs
- Excellent properties for machining



#### SPECIFICATION

Materials	Lid & base high impact ABS-UL94-V0 Screw covers rubber
Operating temperature	Resistant to temperatures up to 85°C
Protection class	IP54
Standard colours	Light grey similar to RAL 7035
Standard unit includes:	Lid and Base 4 x M3 machine screws 4 x rubber screw covers

LIGHT GREY	LENGTH	WIDTH	HEIGHT
CSACST001	90mm	50mm	35mm
CSACST002	110mm	60mm	40mm
CSACST003	125mm	75mm	50mm
CSACST004	155mm	95mm	60mm
CSACST005	190mm	115mm	75mm
CSACST006	220mm	140mm	90mm



### 1102 Transparent Lid

Electronic enclosures featuring a transparent lid, designed for applications that require visible electronics. High impact polycarbonate smoked effect lid.

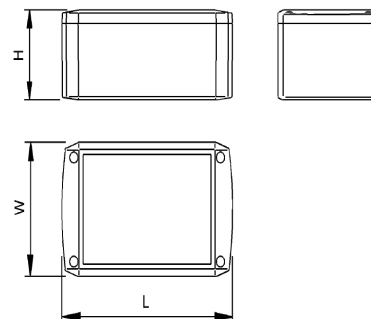
- Box moulded in ABS, UL94-V0
- Lid moulded in transparent, Polycarbonate, UL94-V0
- Lid mounted by four M3 machines screws
- Rubber plugs (included) hidden screw heads
- Bevelled edges and curved side walls
- 1.2mm membrane keypad recesses in lid and base
- Polished finish for ease of cleaning and stylish appearance
- Deep profile for maximum internal volume
- Pillars in base for mounting of PCBs
- Excellent properties for machining



#### SPECIFICATION

Materials	Lid High Impact PC, UL94-V0 Base High Impact ABS, UL94-V0 Screw covers rubber
Operating temperature	Base resistant to temperatures up to 85°C Lid resistant to temperatures up to 120°C
Protection class	IP54
Standard colours	Light grey similar to RAL 7035
Standard unit includes:	Lid and Base 4 x M3 machine screws 4 x rubber screw covers

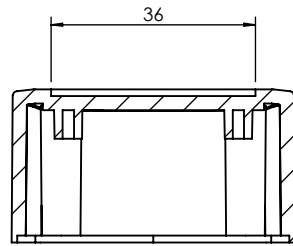
LIGHT GREY	LENGTH	WIDTH	HEIGHT
CSACTT001	90mm	50mm	35mm
CSACTT002	110mm	60mm	40mm
CSACTT003	125mm	75mm	50mm
CSACTT004	155mm	95mm	60mm
CSACTT005	190mm	115mm	75mm
CSACTT006	220mm	140mm	90mm



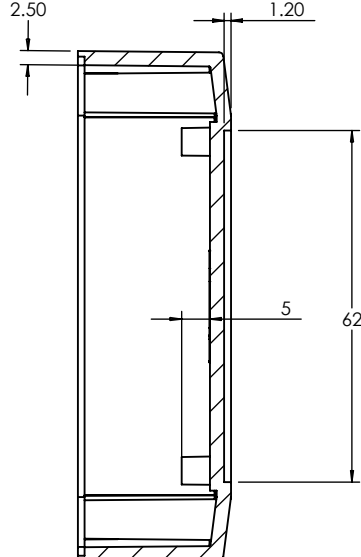
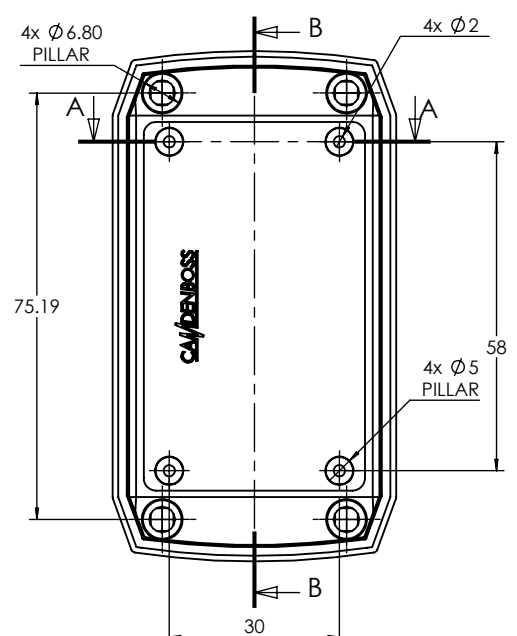
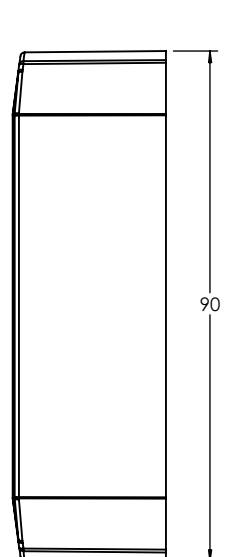
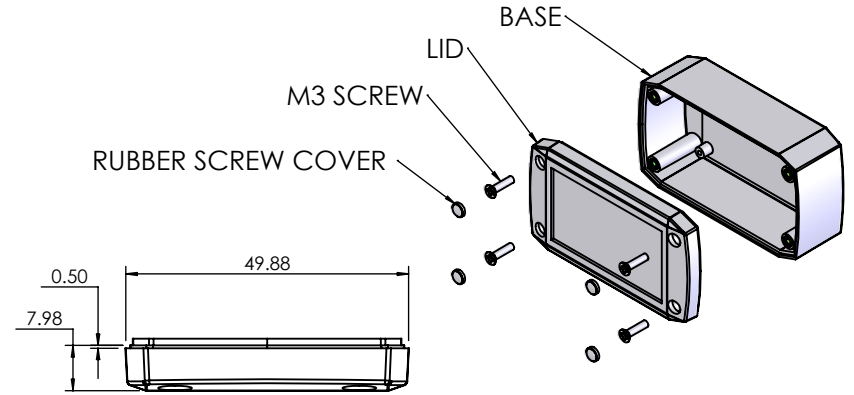
OVERALL ASSEMBLY DIMENSIONS:

EXTERNAL - 90 x 50 x 35

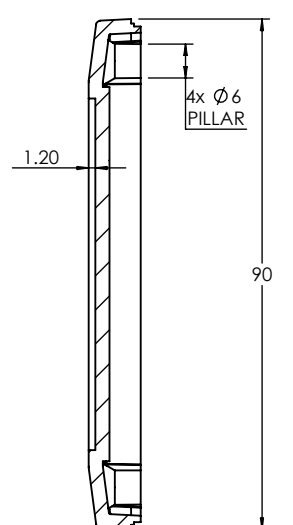
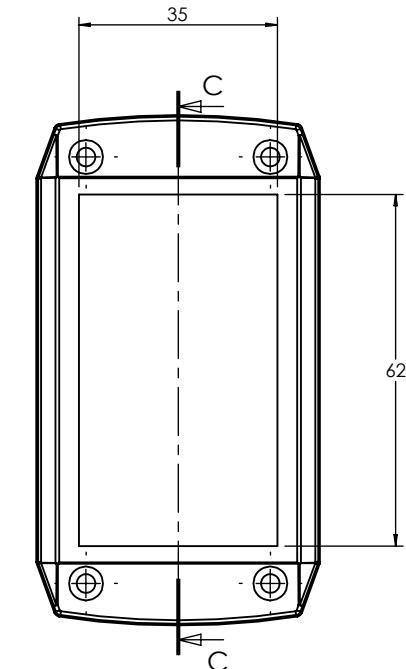
INTERNAL - 85 x 45 x 27.5



SECTION A-A

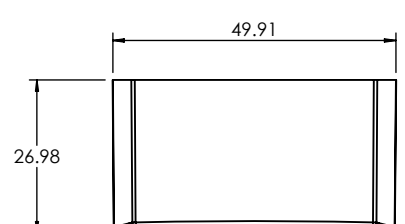


SECTION B-B



SECTION C-C

BASE



LID



JAMES CARTER RD, MILDENHALL, SUFFOLK, IP28 7DE  
 TEL: 01638 716101 FAX: 01638 716554  
 EMAIL: Sales@CamdenBoss.com  
 WEB: www.CamdenBoss.com

UNLESS OTHERWISE SPECIFIED:  
 DIMENSIONS ARE IN MILLIMETERS

FINISH.

SMOOTH

MATERIAL. ABS &  
 POLYCARBONATE

PROJECTION.

DO NOT SCALE DRAWING

REVISION. 0

TITLE:

GNL ASSEMBLY DRG FOR  
 1101 SERIES - CSACT001

DWG NO.

CSACTT001

A4

	NAME	SIGNED	DATE
DRAWN	IAN PAGANO	I.P.	06/08/13
CHKD	-	-	-

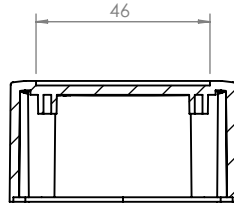
SCALE: 3 : 4

SHEET 1 OF 1

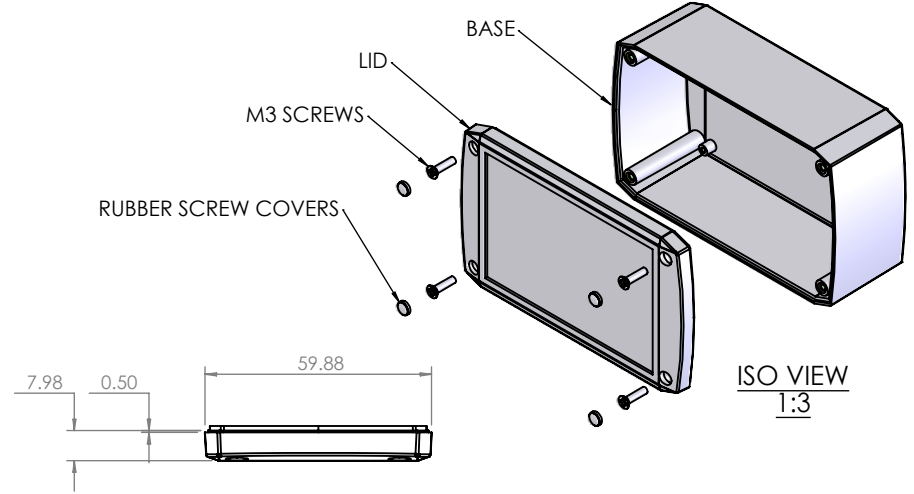
OVERALL ASSEMBLY DIMENSIONS:

EXTERNAL - 110 x 60 x 40

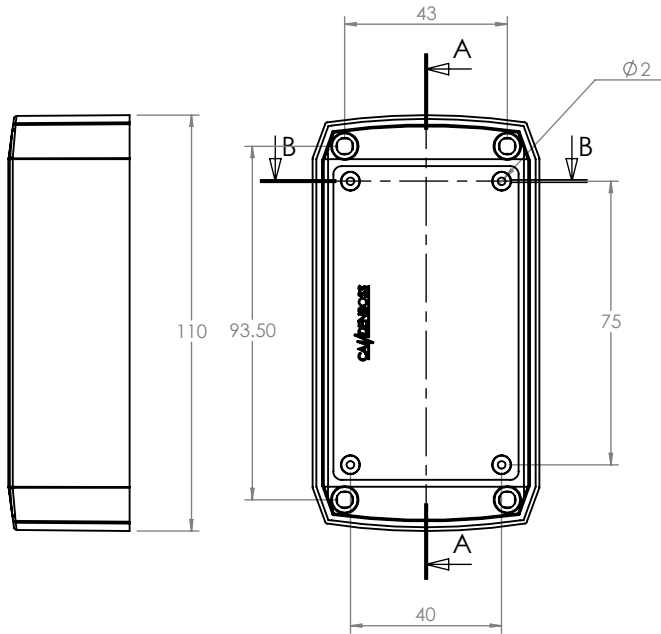
INTERNAL - 105 x 55 x 32.5



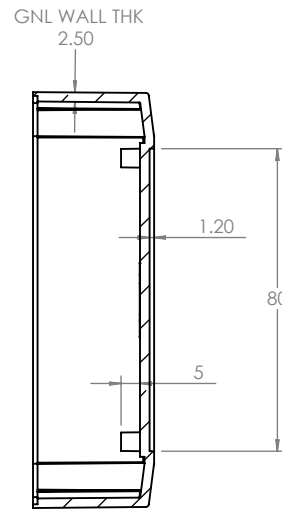
SECTION B-B



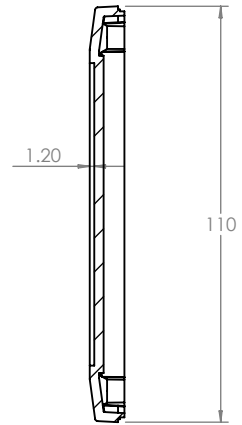
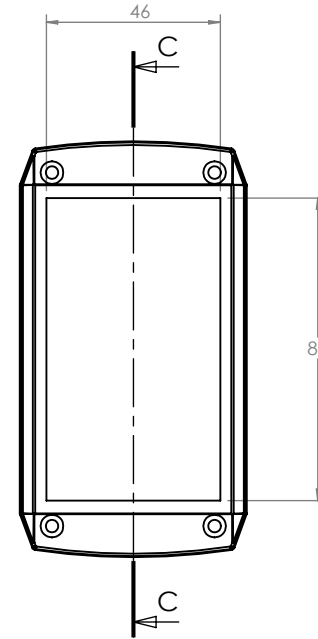
ISO VIEW  
1:3



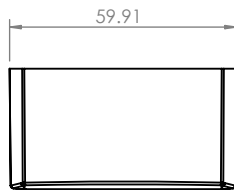
BASE



SECTION A-A



SECTION C-C LID



**CAMDENBOSS**  
ELECTRONICS & ENCLOSURES

JAMES CARTER RD, MILDENHALL, SUFFOLK. IP28 7DE  
TEL: 01638 716101 FAX: 01638 716554  
EMAIL: Sales@CamdenBoss.com  
WEB: www.CamdenBoss.com

UNLESS OTHERWISE SPECIFIED:  
DIMENSIONS ARE IN MILLIMETERS

FINISH:  
SMOOTH

MATERIAL: ABS &  
POLYCARBONATE

PROJECTION:

DO NOT SCALE DRAWING

REVISION: 0

TITLE: GNL ASSEMBLY DRG FOR  
1101 SERIES - CSACT002

DWG NO. CSACTT002

A4

	NAME	SIGNED	DATE
DRAWN	IAN PAGANO	I.P.	17/06/13
CHKD	-	-	-

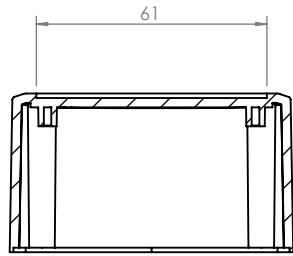
SCALE: 1 : 2

SHEET 1 OF 1

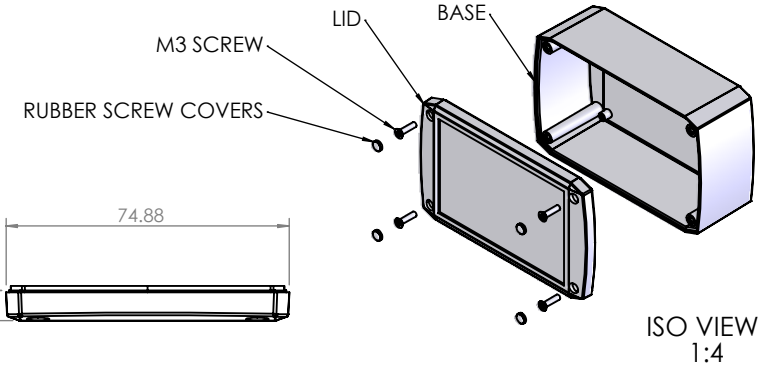
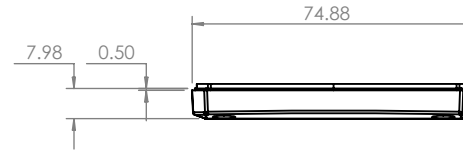
OVERALL ASSEMBLY DIMENSIONS:

EXTERNAL - 125 x 75 x 50

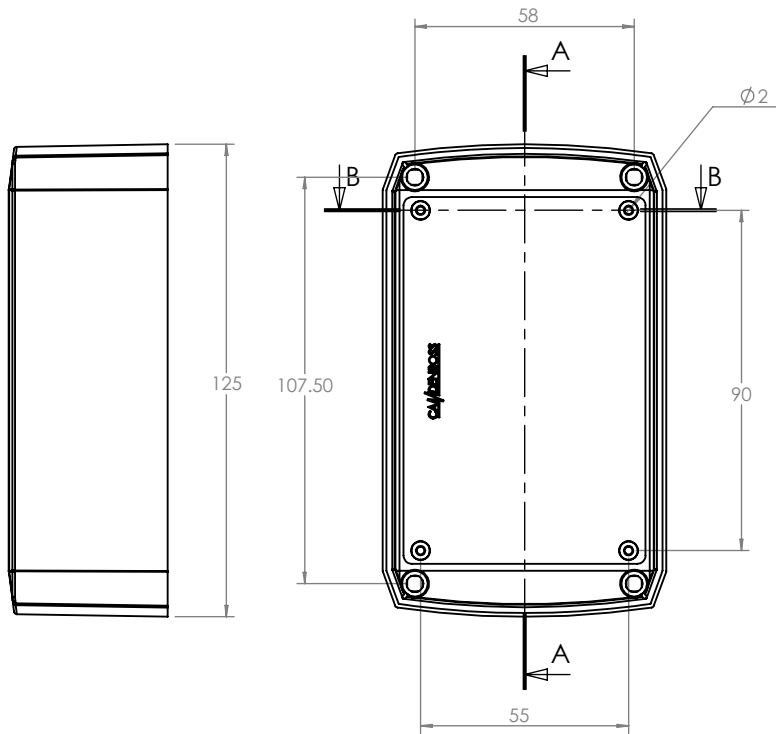
INTERNAL - 120 x 70 x 42.5



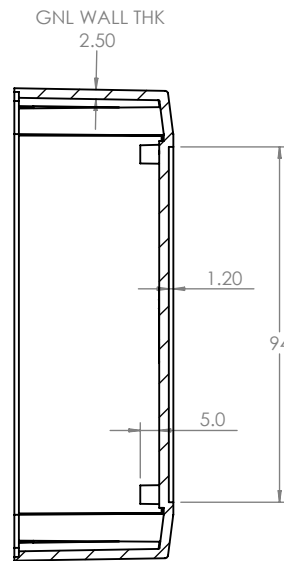
SECTION B-B



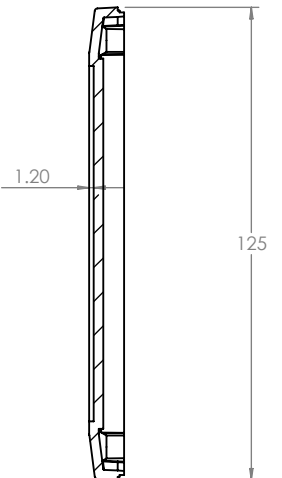
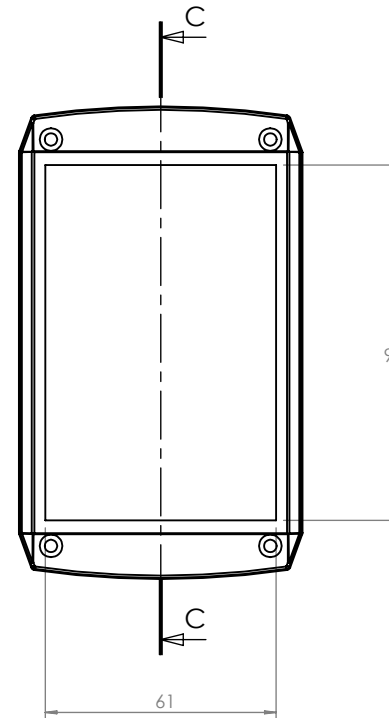
ISO VIEW 1:4



BASE

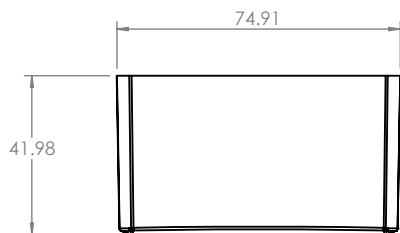


SECTION A-A



SECTION C-C

LID

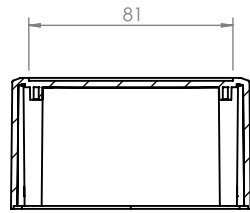


		UNLESS OTHERWISE SPECIFIED: DIMENSIONS ARE IN MILLIMETERS		DO NOT SCALE DRAWING	REVISION: 0
		FINISH: SMOOTH		TITLE: GNL ASSEMBLY DRG FOR 1101 SERIES - CSACTT003	
JAMES CARTER RD, MILDENHALL, SUFFOLK, IP28 7DE TEL: 01638 716101 FAX: 01638 716554 EMAIL: SALES@CAMDENBOSS.COM WEB: WWW.CAMDENBOSS.COM		MATERIAL: ABS & POLYCARBONATE		DWG NO. CSACTT003	A4
DRAWN	IAN PAGANO	SIGNED	I.P.	DATE	06/07/13
CHKD	-	-	-	-	-
PROJECTION:		SCALE: 1:2		SHEET 1 OF 1	

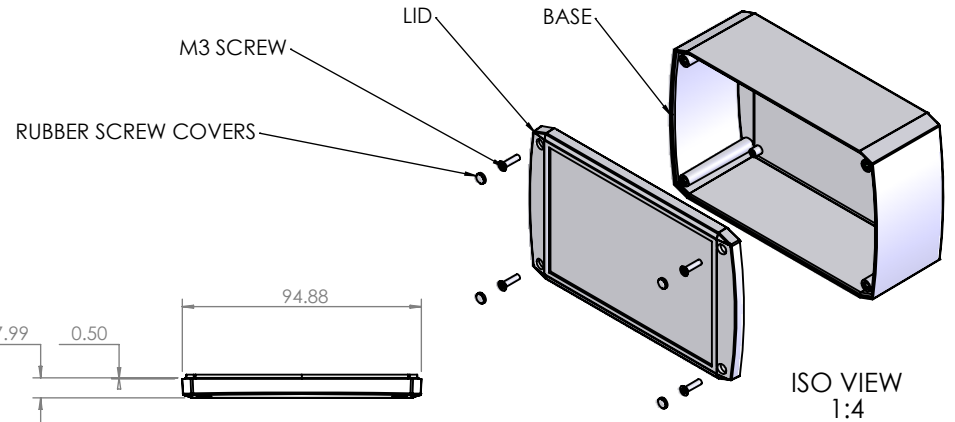
OVERALL ASSEMBLY DIMENSIONS:

EXTERNAL - 155 x 95 x 60

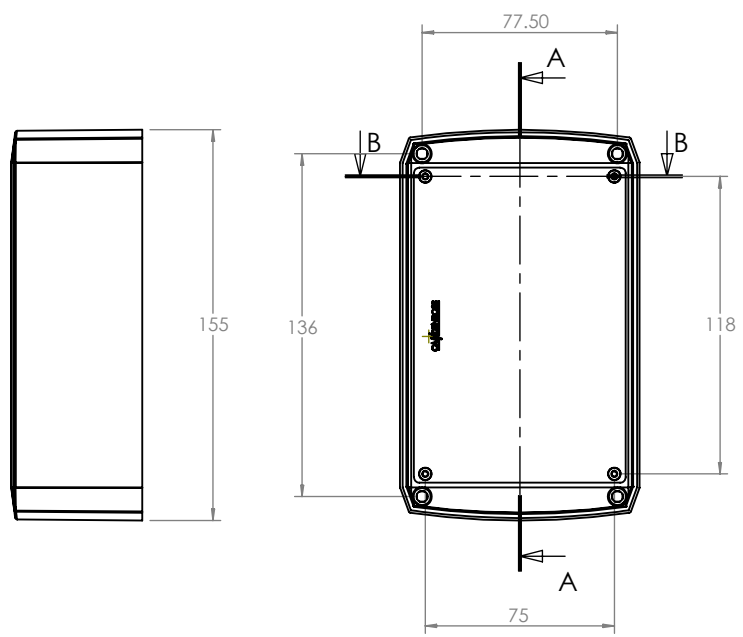
INTERNAL - 150 x 90 x 52.5



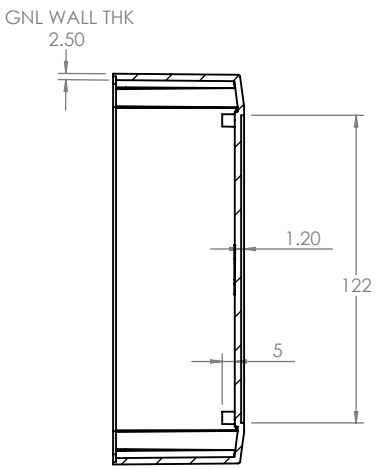
SECTION B-B



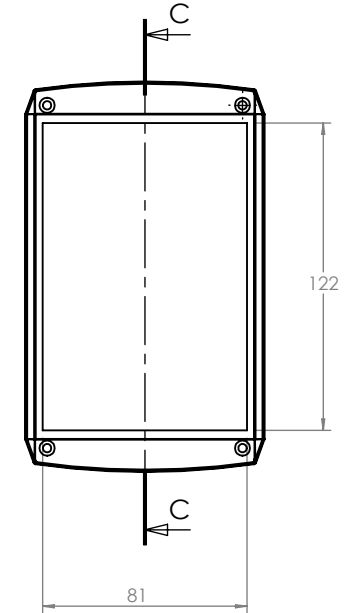
ISO VIEW 1:4



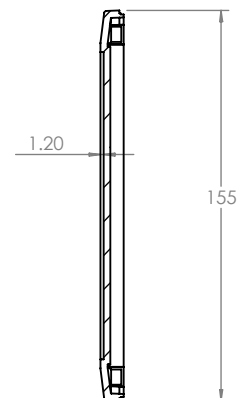
BASE



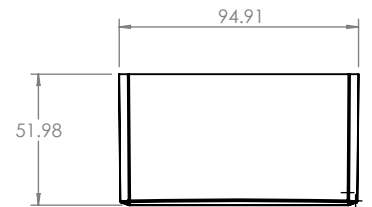
SECTION A-A



SECTION C-C



LID

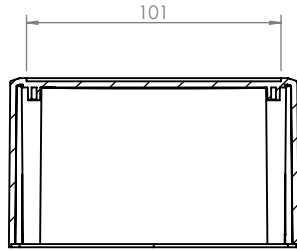


		UNLESS OTHERWISE SPECIFIED: DIMENSIONS ARE IN MILLIMETERS		DO NOT SCALE DRAWING	REVISION. 0
		FINISH. SMOOTH		TITLE: GNL ASSEMBLY DRG FOR 1101 SERIES - CSACT004	
JAMES CARTER RD, MILDENHALL, SUFFOLK. IP28 7DE TEL: 01638 716101 FAX: 01638 716554 EMAIL: Sales@CamdenBoss.com WEB: www.CamdenBoss.com		MATERIAL. ABS & POLYCARBONATE	DWG NO. CSACTT004	A4	
DRAWN	IAN PAGANO	SIGNED	I.P.	DATE	06/07/13
CHKD	-	-	-	-	-
PROJECTION.			SCALE. 1 : 3	SHEET 1 OF 1	

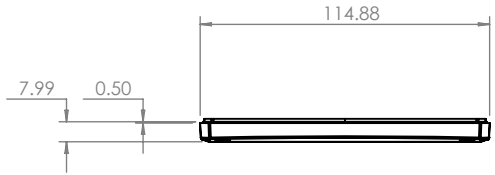
OVERALL ASSEMBLY DIMENSIONS:

EXTERNAL - 190 x 155 x 75

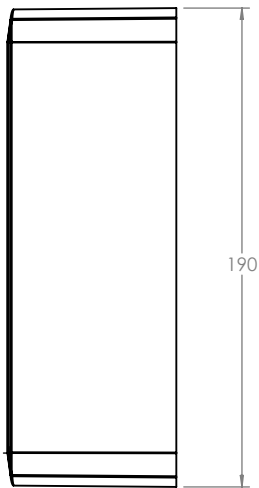
INTERNAL - 185 x 150 x 67.5



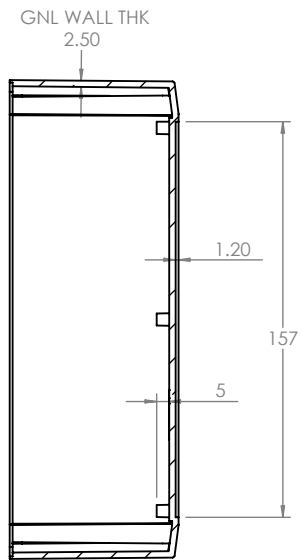
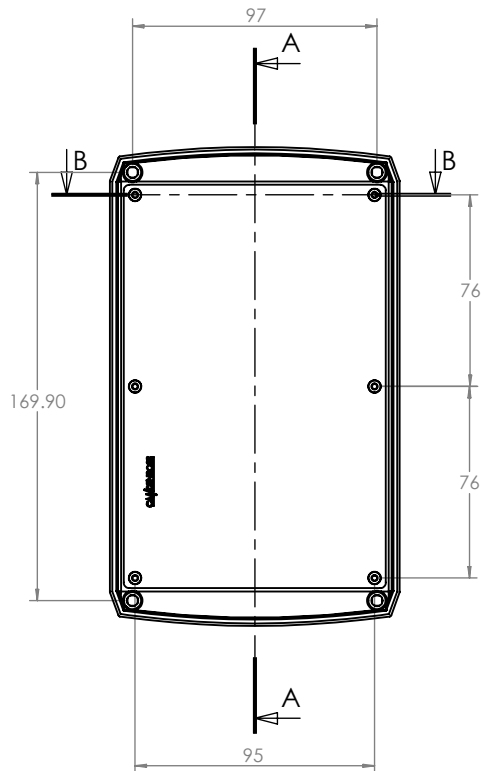
SECTION B-B



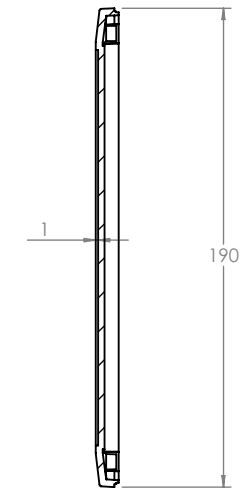
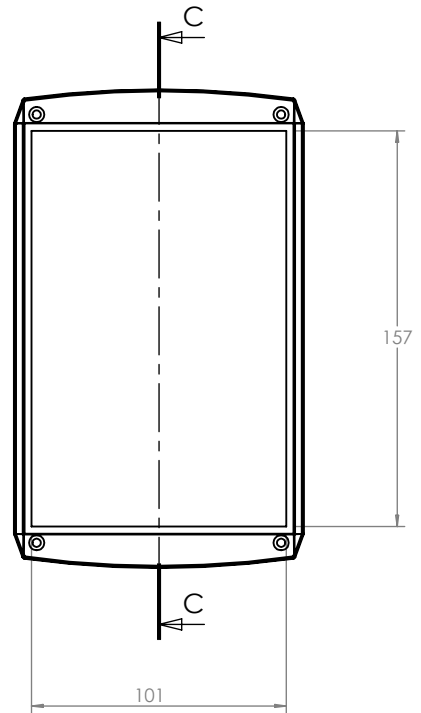
ISO VIEW  
1:5



BASE

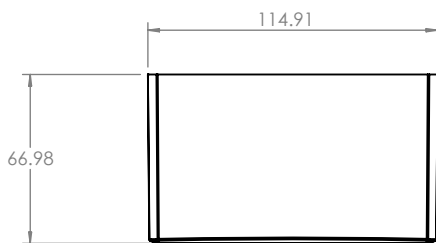


SECTION A-A



SECTION C-C

LID



**CAMDENBOSS**  
ELECTRONICS & ENCLOSURES

JAMES CARTER RD, MILDENHALL, SUFFOLK. IP28 7DE  
TEL: 01638 716101 FAX: 01638 716554  
EMAIL: Sales@CamdenBoss.com  
WEB: www.CamdenBoss.com

UNLESS OTHERWISE SPECIFIED:  
DIMENSIONS ARE IN MILLIMETERS

GENERAL TOLERANCES +/- 0.2

FINISH: SMOOTH

MATERIAL: ABS & POLYCARBONATE

PROJECTION:

DO NOT SCALE DRAWING

REVISION:

TITLE: GENERAL DIMENSION DRAWING FOR 1100 SERIES SIZE 4

	NAME	SIGNED	DATE
DRAWN	IAN PAGANO	I.P.	22/07/13
CHKD	-	-	-

DWG NO. **CSACTT005**

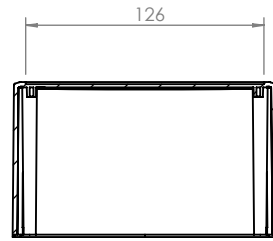
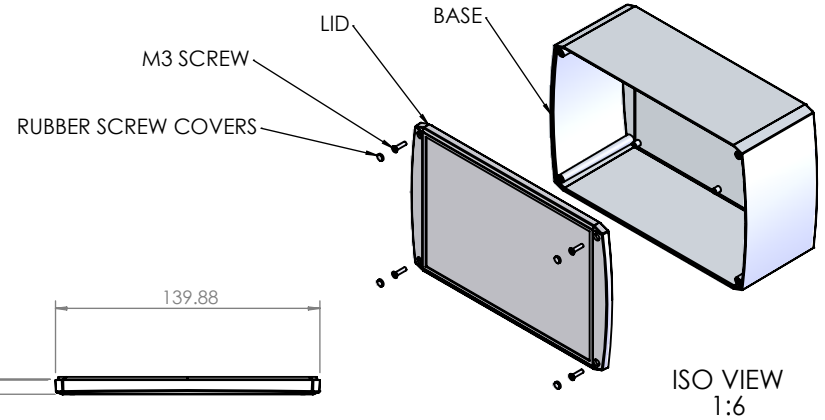
SCALE: 1:2

SHEET 1 OF 1

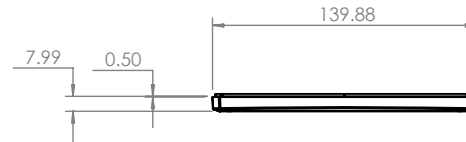
A4

OVERALL ASSEMBLY DIMENSIONS:

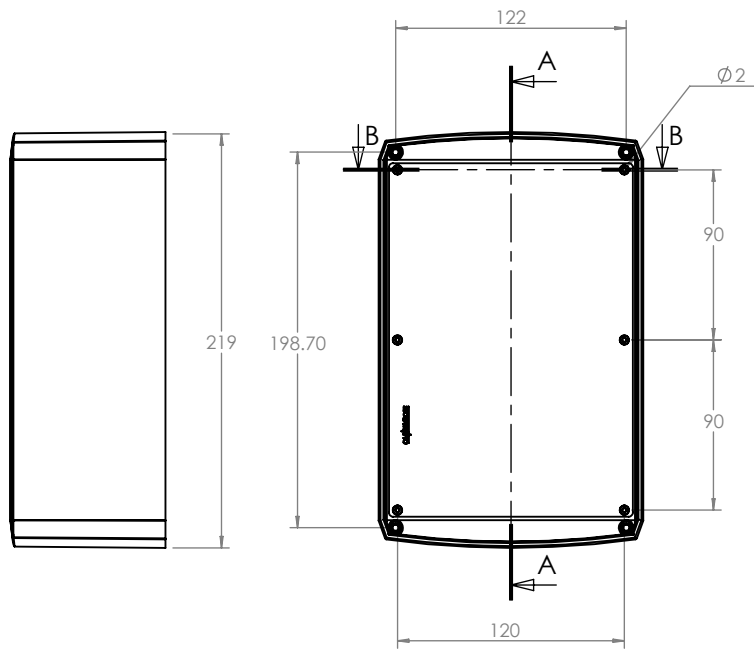
EXTERNAL - 220 x 140 x 90  
INTERNAL - 215 x 135 x 82.5



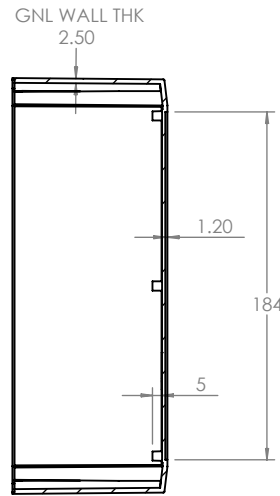
SECTION B-B



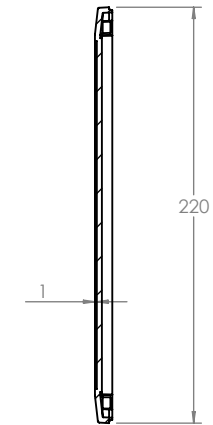
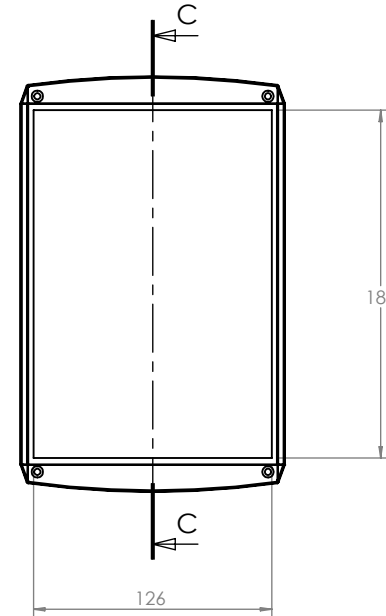
ISO VIEW  
1:6



BASE

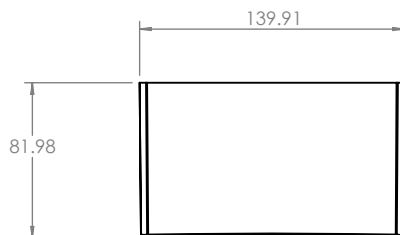


SECTION A-A



SECTION C-C

LID



 JAMES CARTER RD, MILDENHALL, SUFFOLK. IP28 7DE TEL: 01638 716101 FAX: 01638 716554 EMAIL: Sales@CamdenBoss.com WEB: www.CamdenBoss.com		UNLESS OTHERWISE SPECIFIED: DIMENSIONS ARE IN MILLIMETERS		DO NOT SCALE DRAWING	REVISION: 0
		FINISH: <b>SMOOTH</b>		TITLE: <b>GNL ASSEMBLY DRG FOR 1101 SERIES - CSACST006</b>	
DRAWN	NAME IAN PAGANO	SIGNED I.P.	DATE 06/08/13	MATERIAL: <b>ABS &amp; POLYCARBONATE</b>	DWG NO. <b>CSACTT006</b>
CHK'D	-	-	-	PROJECTION:	SCALE: 1 : 4
				SHEET 1 OF 1	