

## CATALOGUE 2007

pcb terminal blocks  
interconnection  
fuses & fuseholders  
batteries  
leds  
miniature switches  
relay bases  
interface modules  
enclosures  
ic & plc sockets  
control products

**CAMDEN**<sup>®</sup>  
electronics ltd

Vertretung für Deutschland:

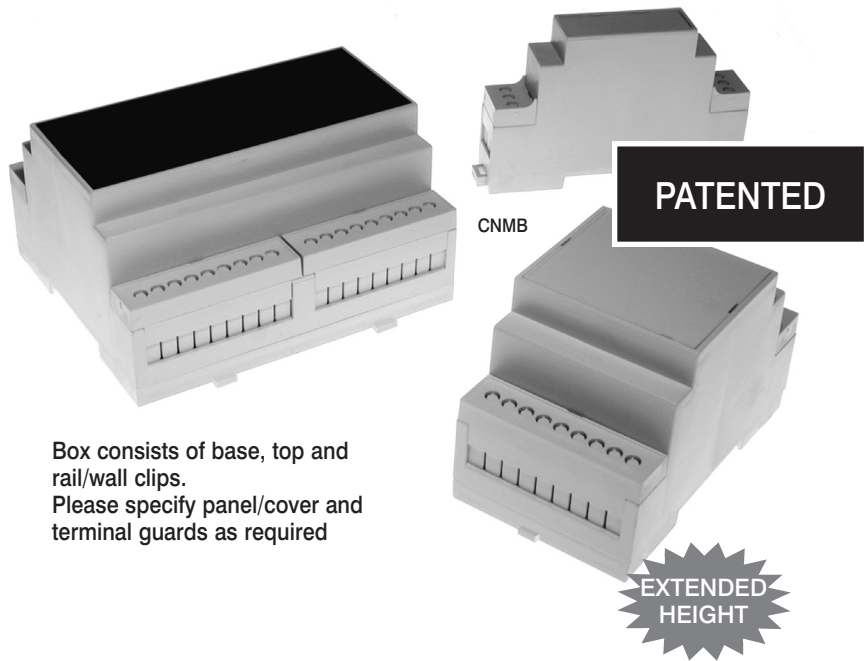
**AXXATRONIC GmbH, Alemannenstrasse 10, 71296 Heimsheim**

Telefon: (0 70 33) 46 66 1 - 0, Fax: (0 70 33) 46 66 1 - 23, [www.axxatronic.de](http://www.axxatronic.de), [info@axxatronic.de](mailto:info@axxatronic.de)

# DIN Rail Standard Height Module Boxes

## Features

- Snap fit kit for easy assembly
- Boxes fit 35mm DIN rail or direct surface mount\*
- Self customised perforated terminal covers as standard
- Snap fit terminal covers for IP20 finger protection
- Can carry up to 3 PCB's horizontally and 2/4 vertically
- Grey, transparent red or clear snap-in covers
- Front panel ideal for screen printing logo's etc
- Moulded in grey UL94-V0 flame retardant PC
- Enclosed base eliminates any need for additional insulation
- Optional adaptor for G rail mounting
- Patent pending



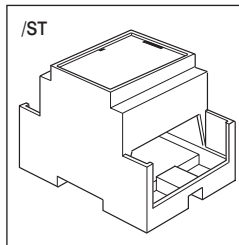
Box consists of base, top and rail/wall clips.  
Please specify panel/cover and terminal guards as required

N.B. CNMB/-/2 = terminal access + covers on both sides of box  
CNMB/-/1 = terminal access + covers on one side only other side closed

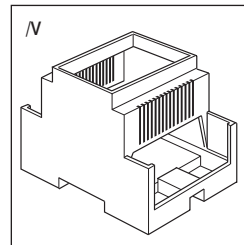
## Optional Special Features

- Customised terminal guards
- Alternative black higher rated RTI material
- Other colours including Black, Green and Blue
- EMC shielded metallic coated boxes

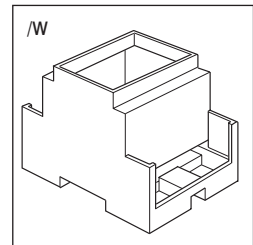
## Box options



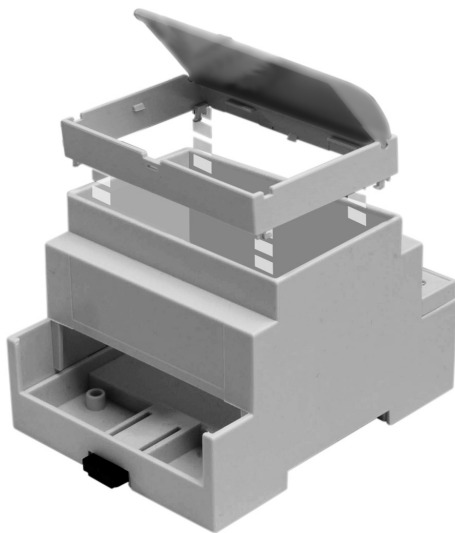
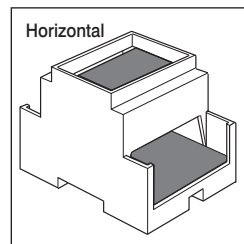
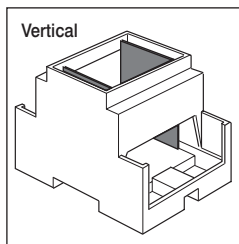
/ST – is a recessed solid top box, usually used for a membrane keypads or with a clear lid to enclose a label  
PCB mounting options



/V – has cooling vents both sides



/W – has extended walls which meet the lower pcb behind the usual positions for the pcb terminals

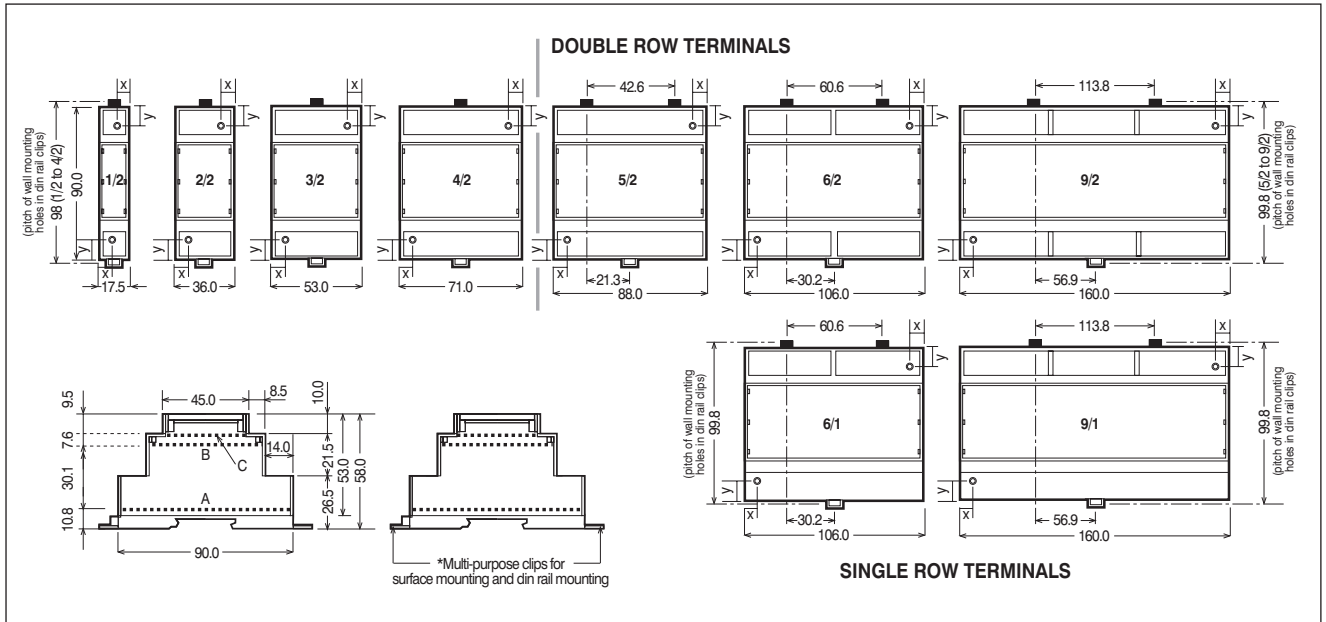


Vertretung für Deutschland:

**AXXATRONIC GmbH, Alemannenstrasse 10, 71296 Heimsheim**

Telefon: (0 70 33) 46 66 1 - 0, Fax: (0 70 33) 46 66 1 - 23, [www.axxatronic.de](http://www.axxatronic.de), [info@axxatronic.de](mailto:info@axxatronic.de)

# DIN Rail Standard Height Module Boxes



## PCB dimensions

Part No	Box size	Box length	A horizontal	B horizontal	C horizontal	E vertical	F vertical
CNMB/1-	1	17.5mm	86.5x14	57x14	41.8x14	34x59.6	40x14.8
CNMB/2-	2	36mm	86.5x33	57x32	42x32	34x59.7	40x33
CNMB/3-	3	53mm	86.5x50	57x49	42x49	34x59.8	40x50
CNMB/4-	4	71mm	86.5x68	57x67	42x67	34x59.9	40x68
CNMB/5-	5	88mm	86.5x84	57x83	42x83	34x59.10	40x84
CNMB/6-	6	106mm	86.5x103	57x102	42x102	34x59.11	40x103
CNMB/9-	9	160mm	86.5x155	57x155.4	42x154	34x59.12	40x155

## Fixing boss dimensions

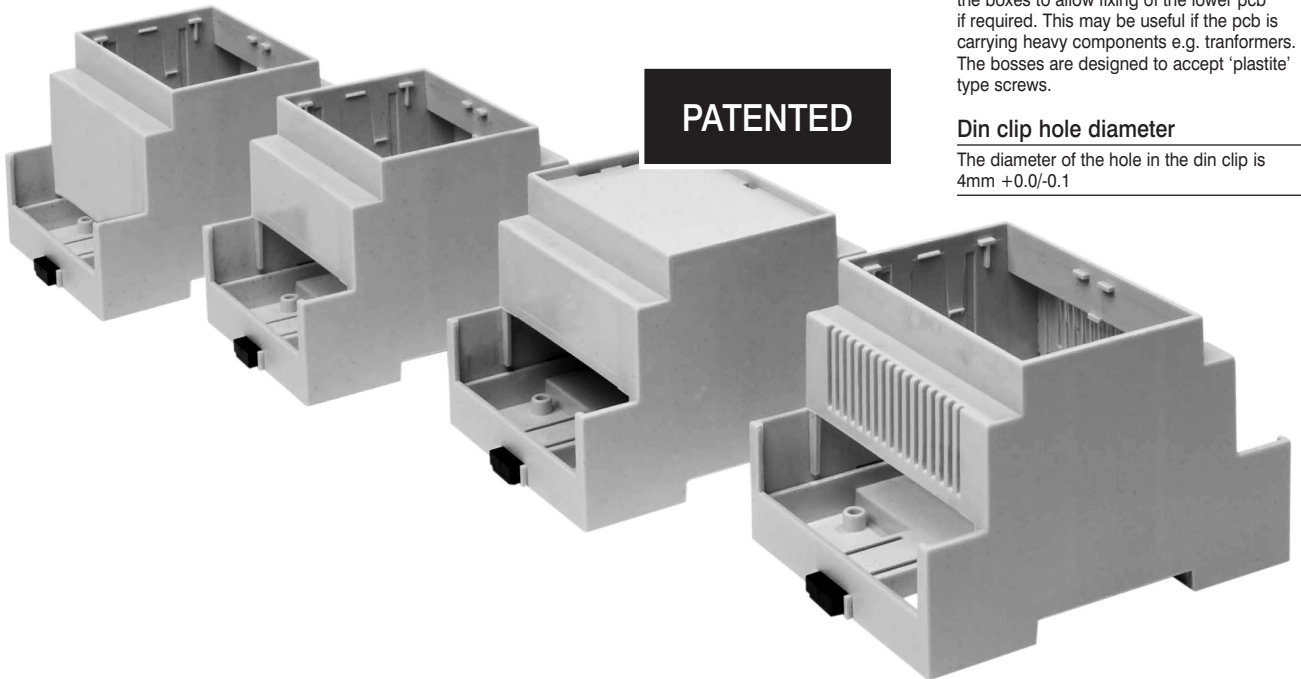
Part No	Box size	x	y
CNMB/1-	1	6.2	18.3
CNMB/2-	2	6.2	18.3
CNMB/3-	3	8.8	18.3
CNMB/4-	4	8.8	18.3
CNMB/5-	5	8.8	18.3
CNMB/6-	6	8.9	18.3
CNMB/9-	9	8.9	18.3

Boss Internal dia = 3mm  
Boss External dia = 5mm

There are two mounting bosses on the base of the boxes to allow fixing of the lower pcb if required. This may be useful if the pcb is carrying heavy components e.g. transformers. The bosses are designed to accept 'plastite' type screws.

## Din clip hole diameter

The diameter of the hole in the din clip is 4mm +0.0/-0.1



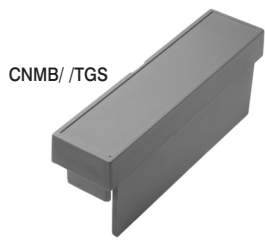
Vertretung für Deutschland:

**AXXATRONIC GmbH, Alemannenstrasse 10, 71296 Heimsheim**

Telefon: (0 70 33) 46 66 1 - 0, Fax: (0 70 33) 46 66 1 - 23, [www.axxatronic.de](http://www.axxatronic.de), [info@axxatronic.de](mailto:info@axxatronic.de)

**CAMDEN**  
E L E C T R O N I C S L T D

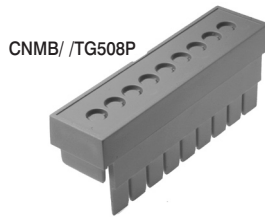
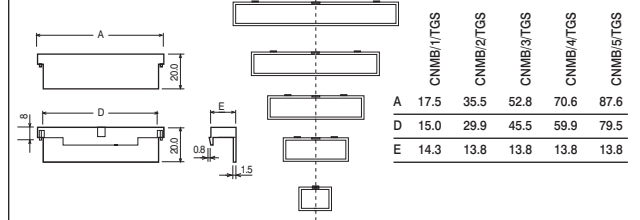
# Terminal Guards



Type No.	
CNMB/1/TGS	Solid
CNMB/2/TGS	Solid
CNMB/3/TGS	Solid
CNMB/4/TGS	Solid
CNMB/5/TGS	Solid

For 6 & 9 size module use  
CNMB/3/TGS

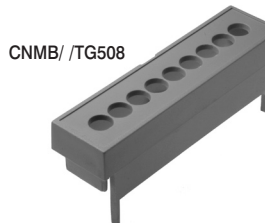
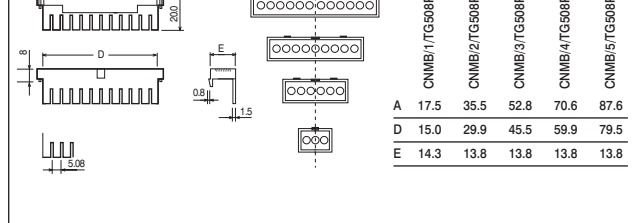
## CNMB/ /TGS series



Type No.	Poles
CNMB/1/TG508P	3
CNMB/2/TG508P	6
CNMB/3/TG508P	9
CNMB/4/TG508P	12
CNMB/5/TG508P	15

For 6 & 9 size module use  
CNMB/3/TG508P

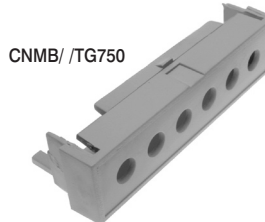
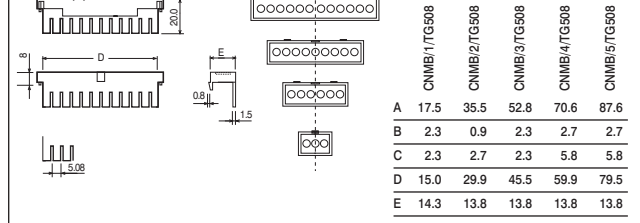
## CNMB/ /TG508P series



Type No.	Poles
CNMB/1/TG508	3
CNMB/2/TG508	6
CNMB/3/TG508	9
CNMB/4/TG508	12
CNMB/5/TG508	15

For 6 & 9 size module use  
CNMB/3/TG508

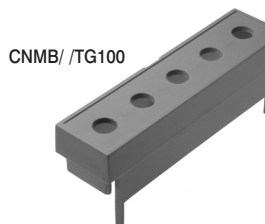
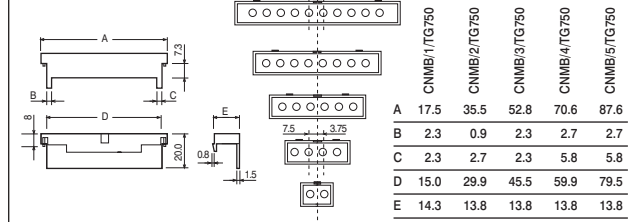
## CNMB/ /TG508 series



Type No.	Poles
CNMB/1/TG750	2
CNMB/2/TG750	4
CNMB/3/TG750	6
CNMB/4/TG750	8
CNMB/5/TG750	10

For 6 & 9 size module use  
CNMB/3/TG750

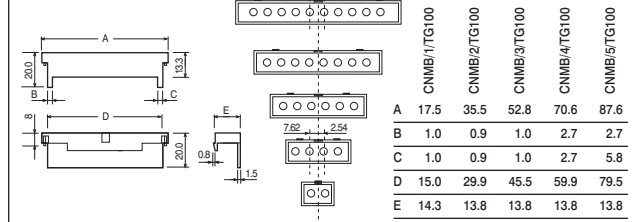
## CNMB/ /TG750 series



Type No.	Poles
CNMB/1/TG100	2
CNMB/2/TG100	3
CNMB/3/TG100	5
CNMB/4/TG100	6
CNMB/5/TG100	7

For 6 & 9 size module use  
CNMB/3/TG100

## CNMB/ /TG100 series



Vertretung für Deutschland:



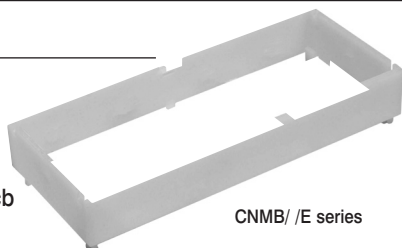
**AXXATRONIC** GmbH, Alemannenstrasse 10, 71296 Heimsheim

Telefon: (0 70 33) 46 66 1 - 0, Fax: (0 70 33) 46 66 1 - 23, [www.axxatronic.de](http://www.axxatronic.de), [info@axxatronic.de](mailto:info@axxatronic.de)

# Extended Height module

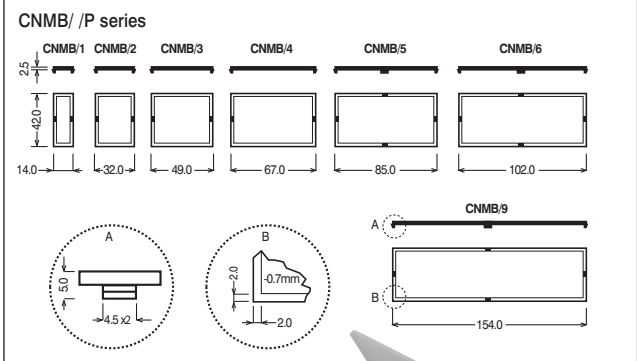
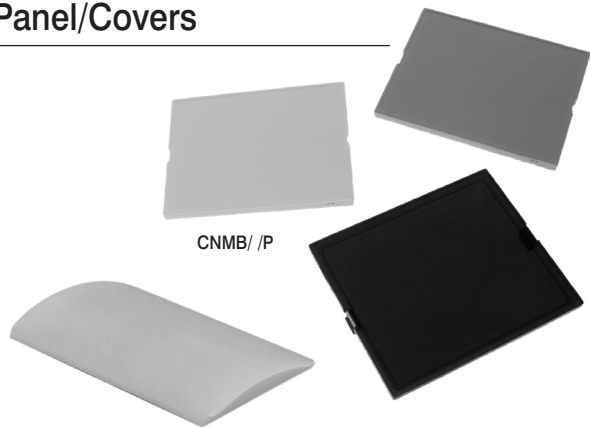
## Features

- 16mm high
- Accepts hinged, curved lid
- Can house an additional horizontal pcb



Type No.	Description	Width
CNMB/2/E	Extended height module	34.7mm
CNMB/3/E	Extended height module	52.0mm
CNMB/4/E	Extended height module	70.0mm
CNMB/5/E	Extended height module	86.5mm
CNMB/6/E	Extended height module	104.5mm
CNMB/9/E	Extended height module	157.7mm

## Panel/Covers

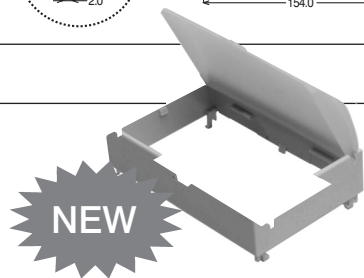


Type No.	Clip on covers
CNMB/1/PR	Red transparent
CNMB/2/PR	Red transparent
CNMB/3/PR	Red transparent
CNMB/4/PR	Red transparent
CNMB/5/PR	Red transparent
CNMB/6/PR	Red transparent
CNMB/9/PR	Red transparent
CNMB/1/PRC	Red transparent curved
CNMB/2/PRC	Red transparent curved
CNMB/3/PRC	Red transparent curved
CNMB/4/PRC	Red transparent curved
CNMB/5/PRC	Red transparent curved
CNMB/6/PRC	Red transparent curved
CNMB/9/PRC	Red transparent curved
CNMB/1/PC	Clear transparent
CNMB/2/PC	Clear transparent
CNMB/3/PC	Clear transparent
CNMB/4/PC	Clear transparent
CNMB/5/PC	Clear transparent
CNMB/6/PC	Clear transparent
CNMB/9/PC	Clear transparent
CNMB/1/PCC	Clear transparent curved
CNMB/2/PCC	Clear transparent curved
CNMB/3/PCC	Clear transparent curved
CNMB/4/PCC	Clear transparent curved
CNMB/5/PCC	Clear transparent curved
CNMB/6/PCC	Clear transparent curved
CNMB/9/PCC	Clear transparent curved

The above fit the standard height boxes

Type No.	Clip on covers
CNMB/1/PS	Smoked transparent
CNMB/2/PS	Smoked transparent
CNMB/3/PS	Smoked transparent
CNMB/4/PS	Smoked transparent
CNMB/5/PS	Smoked transparent
CNMB/6/PS	Smoked transparent
CNMB/9/PS	Smoked transparent
CNMB/1/PSC	Smoked transparent curved
CNMB/2/PSC	Smoked transparent curved
CNMB/3/PSC	Smoked transparent curved
CNMB/4/PSC	Smoked transparent curved
CNMB/5/PSC	Smoked transparent curved
CNMB/6/PSC	Smoked transparent curved
CNMB/9/PSC	Smoked transparent curved
CNMB/1/PG	Grey
CNMB/2/PG	Grey
CNMB/3/PG	Grey
CNMB/4/PG	Grey
CNMB/5/PG	Grey
CNMB/6/PG	Grey
CNMB/9/PG	Grey
CNMB/1/PGC	Grey curved
CNMB/2/PGC	Grey curved
CNMB/3/PGC	Grey curved
CNMB/4/PGC	Grey curved
CNMB/5/PGC	Grey curved
CNMB/6/PGC	Grey curved
CNMB/9/PGC	Grey curved

The above fit the standard height boxes



**NEW**

Hinged covers on extended only

Type No.	Description
CNMB/2/HPCC	Hinged clear curved
CNMB/3/HPCC	Hinged clear curved
CNMB/4/HPCC	Hinged clear curved
CNMB/5/HPCC	Hinged clear curved
CNMB/6/HPCC	Hinged clear curved
CNMB/9/HPCC	Hinged clear curved
CNMB/2/HPRC	Hinged transparent red curved
CNMB/3/HPRC	Hinged transparent red curved
CNMB/4/HPRC	Hinged transparent red curved
CNMB/5/HPRC	Hinged transparent red curved
CNMB/6/HPRC	Hinged transparent red curved
CNMB/9/HPRC	Hinged transparent red curved
CNMB/2/HPGC	Hinged grey curved
CNMB/3/HPGC	Hinged grey curved
CNMB/4/HPGC	Hinged grey curved
CNMB/5/HPGC	Hinged grey curved
CNMB/6/HPGC	Hinged grey curved
CNMB/9/HPGC	Hinged grey curved

Kits available from our distributors  
 Kits consist of base, top panel, terminal ,  
 and clips for rail or wall mounting. Each kit  
 includes 2 perforated terminal covers enabling  
 customisation as required. CNMB/6/kit &  
 CNMB/9/kit are supplied with additional blank  
 terminal guards.

Vertretung für Deutschland:

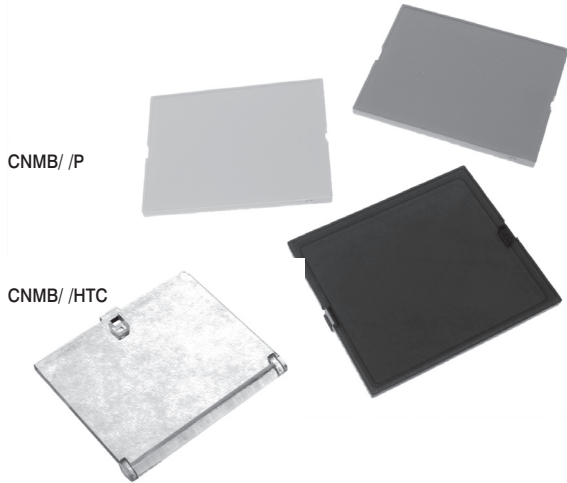
**AXXATRONIC GmbH, Alemannenstrasse 10, 71296 Heimsheim**

Telefon: (0 70 33) 46 66 1 - 0, Fax: (0 70 33) 46 66 1 - 23, [www.axxatronic.de](http://www.axxatronic.de), [info@axxatronic.de](mailto:info@axxatronic.de)

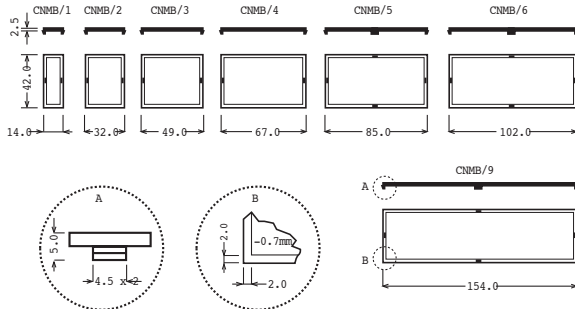


E L E C T R O N I C S L T D

# Panel/Covers



## CNMB/ /P series



## Type No.

CNMB/1/PR	Red transparent cover
CNMB/2/PR	Red transparent cover
CNMB/3/PR	Red transparent cover
CNMB/4/PR	Red transparent cover
CNMB/5/PR	Red transparent cover
CNMB/6/PR	Red transparent cover
CNMB/9/PR	Red transparent cover
CNMB/1/PC	Clear transparent cover
CNMB/2/PC	Clear transparent cover
CNMB/3/PC	Clear transparent cover
CNMB/4/PC	Clear transparent cover
CNMB/5/PC	Clear transparent cover
CNMB/6/PC	Clear transparent cover
CNMB/9/PC	Clear transparent cover
CNMB/1/PS	Smoked transparent cover
CNMB/2/PS	Smoked transparent cover
CNMB/3/PS	Smoked transparent cover
CNMB/4/PS	Smoked transparent cover
CNMB/5/PS	Smoked transparent cover
CNMB/6/PS	Smoked transparent cover
CNMB/9/PS	Smoked transparent cover
CNMB/1/PG	Grey cover
CNMB/2/PG	Grey cover
CNMB/3/PG	Grey cover
CNMB/4/PG	Grey cover
CNMB/5/PG	Grey cover
CNMB/6/PG	Grey cover
CNMB/9/PG	Grey cover