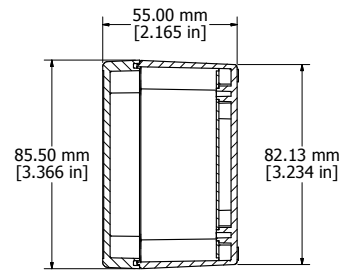
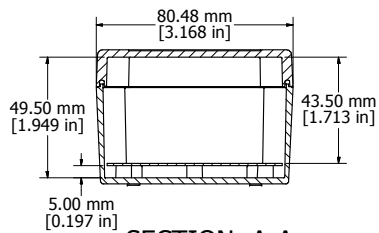
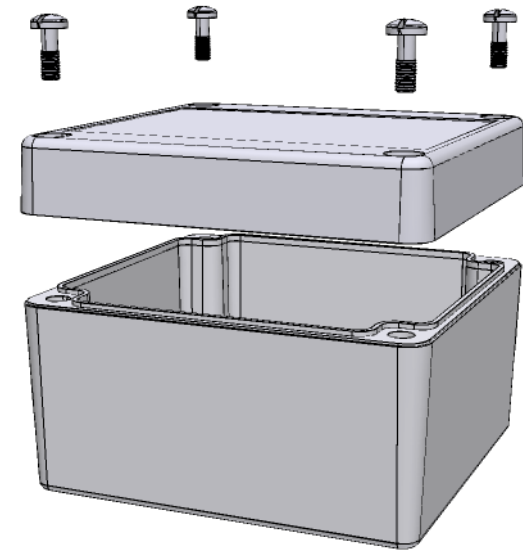


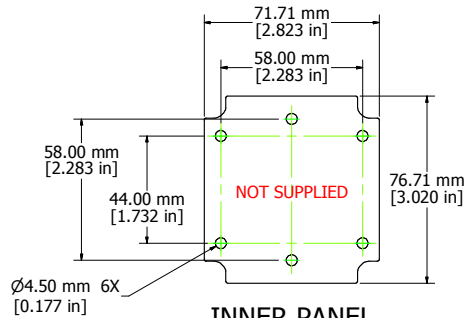
ASSEMBLY - TOP



SECTION B-B

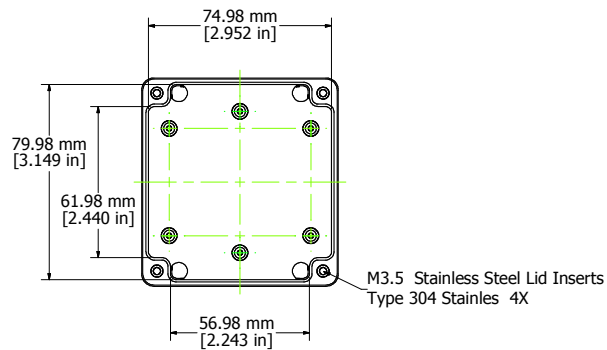


SECTION A-A

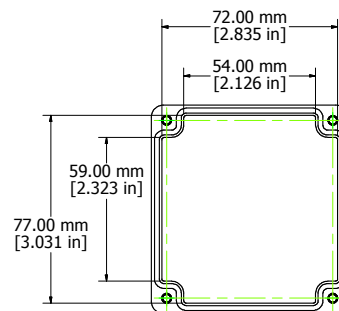


INNER PANEL

Enclosures can be Factory Modified ( Milling, Drilling, Printing etc. )  
 Contact Factory [mjm@hammondmfg.com](mailto:mjm@hammondmfg.com) for quotes  
 Solid models of this enclosure available in STEP or IGES.



BOX - INSIDE



LID - INSIDE

|   |
|---|
| <b>RP1065</b>                                 |
| Material: ABS (UL94-HB), Light Gray Color     |
| Lid Screws: M3.5 x 10, 304 Stainless          |
| Gasket: EDPM Cord.                            |
| Circuit Board Screws Supplied (M3 self tap)   |
| Suggested Lid Screw Torque: 30ozf-in (21cN-m) |



**HAMMOND  
 MANUFACTURING™**

**RP1065**

[www.hammondmfg.com](http://www.hammondmfg.com)