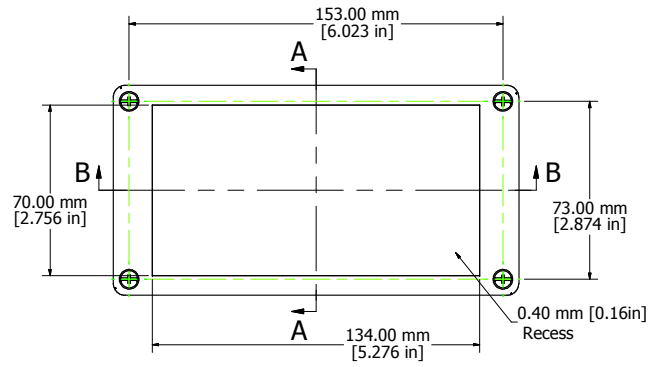
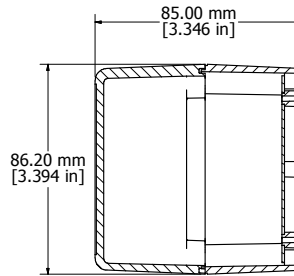


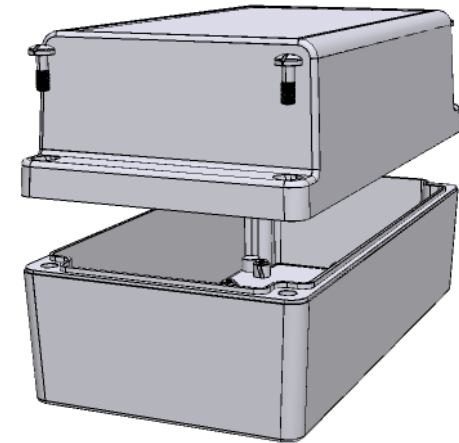
8 | 7 | 6 | 5 | 4 | 3 | 2 | 1



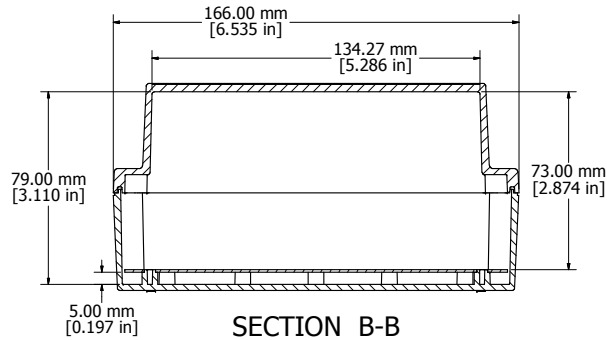
ASSEMBLY - TOP



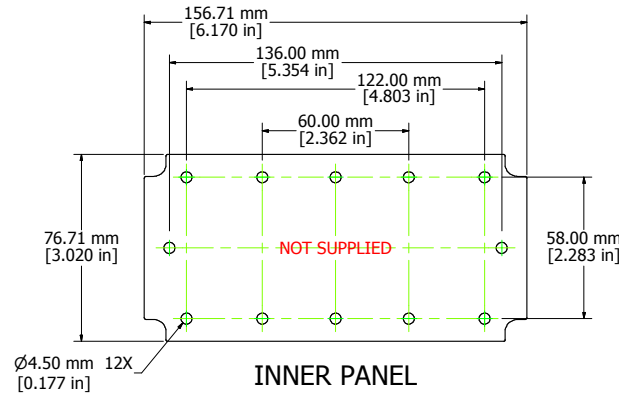
SECTION A-A



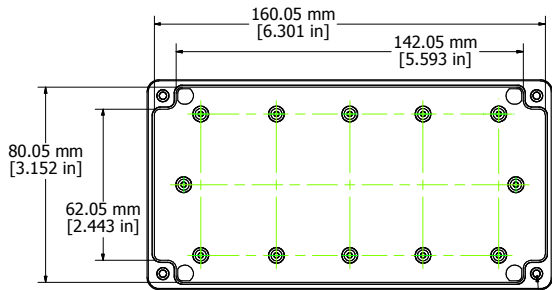
Enclosures can be Factory Modified (Milling, Drilling, Printing etc.)
 Contact Factory mjm@hammondmfg.com for quotes
 Solid models of this enclosure available in STEP or IGES.



SECTION B-B

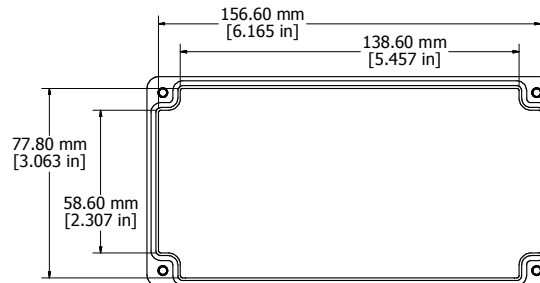


INNER PANEL



BOX - INSIDE

M3.5 Stainless Steel Lid Insert
 Type 304 Stainless 4X



LID - INSIDE

RP1185
Material: ABS (UL94-HB), Light Gray Color
Lid Screws: M3.5 x 10, 304 Stainless
Gasket: EDPM Cord.
Circuit Board Screws, 4 Supplied (M3 self tap)
Suggested Lid Screw Torque: 30 ozf-in (21 cN-m)



**HAMMOND
 MANUFACTURING™**

RP1185

www.hammondmfg.com

8 | 7 | 6 | 5 | 4 | 3 | 2 | 1