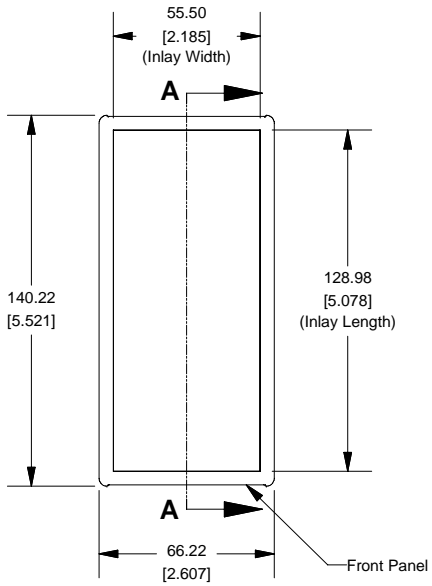
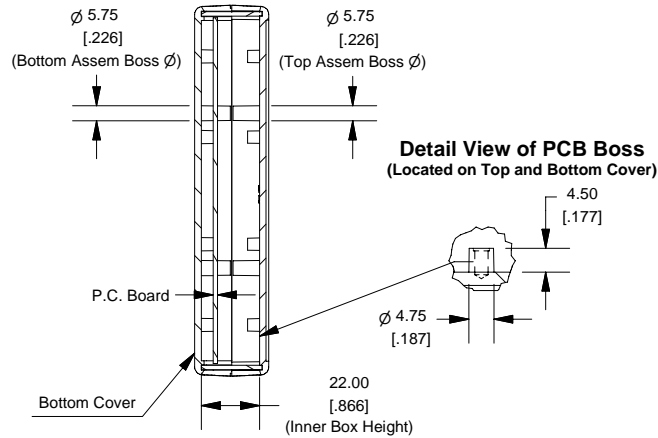


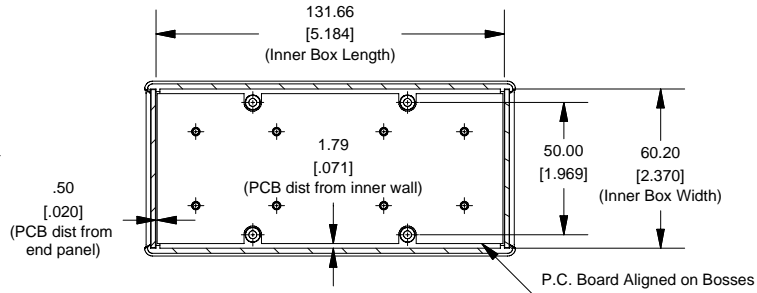
### Top View of Assembly



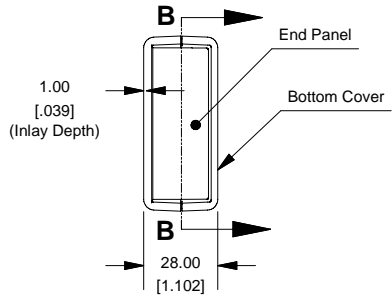
### SECTION A-A (Side View Inside Assembly)



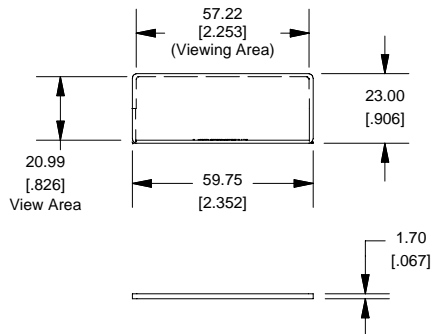
### SECTION B-B (Inside of Bottom Cover)



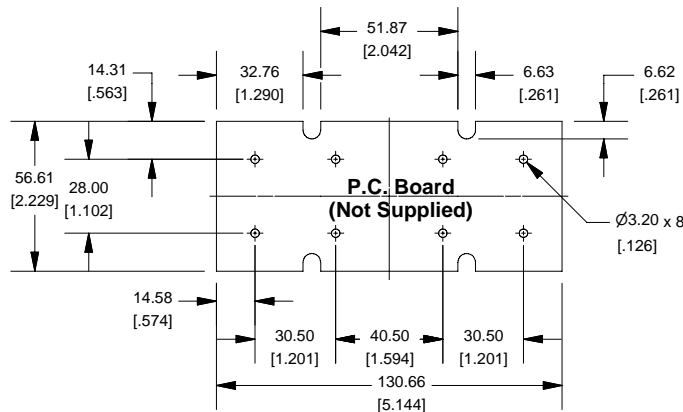
### End View of Assembly



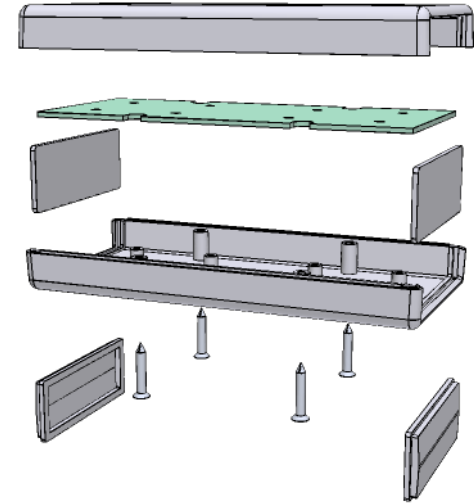
### Front/Rear Panel (Dashed Line Indicates Viewing Area)



### Maximum P.C. Board Size



## Hand Held Instrument (1593X)



Enclosures can be Factory Modified ( Milling, Drilling, Printing etc. )  
Solid models of this enclosure available in STEP or IGES.  
Contact Factory [mjm@hammondmfg.com](mailto:mjm@hammondmfg.com)

#### NOTE

Enclosure molded from GP ABS (UL94-HB) plastic.  
Purchased assembly includes top and bottom cover, front and rear plastic panels (2 types - flat and contoured) and 4 cover screws.

#### PART NUMBERS

1593X Enclosure	
Black Enclosure	1593XBK
Grey Enclosure	1593XGY
ACCESSORIES	
Cover Screws (Pkg 100) [#4 x 3/4" self-tapping oval head (19.1mm)]	1593QS100 (Silver) 1593QS100BK (Black)
P.C. Board Screws [#4 x 1/4" self-tapping (6.4mm)]	1593ATS50 (Pkg 50) 1593ATS100 (Pkg 100)
Belt or Pocket Clip	1599CLIP (Black) 1599CLIPGY (Grey)
Infrared Panels (Pkg 10)	1593DIR10

**HAMMOND  
MANUFACTURING™**

**1593X**

[www.hammondmfg.com](http://www.hammondmfg.com)