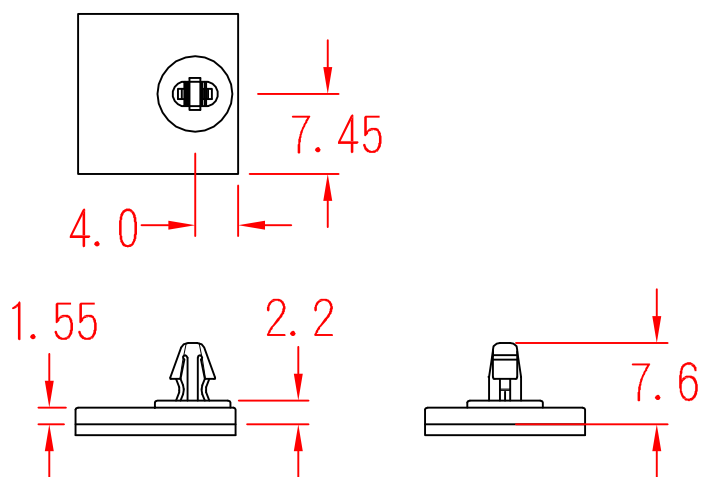


MMS-2



To fit 3.2mm hole
chassis 1.8mm

		MATERIAL UL 94V-2		ITEM NO.	
		NYLON 66		MMS-2	
SCALE		FINISH	NAME		
			PCB SUPPORT		
△	(. .)	TOLERANCE ±0.5mm	△	11-30-2006	REVISIONS K001
				DATE	R.NO.

