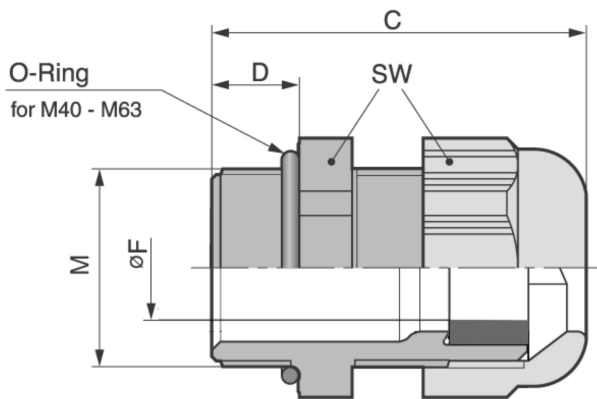
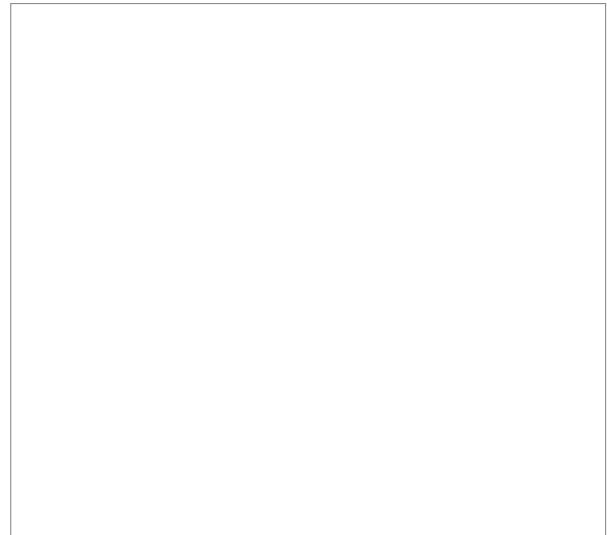
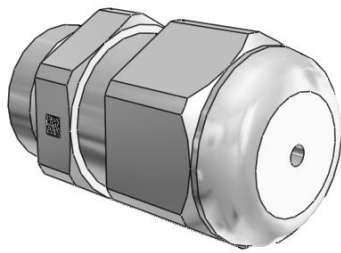


Product Description





Technical Data

ATN	53111310
M	M 16x1,5
FMIN	2
FMAX	7
F	2
SW	19
A	21.1
C	34
D	8
RAL7001	
RAL7035	
RAL9005	X
MATERIAL	Kunststoff