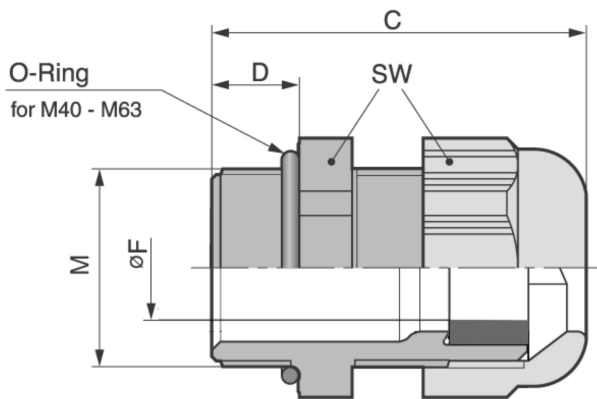
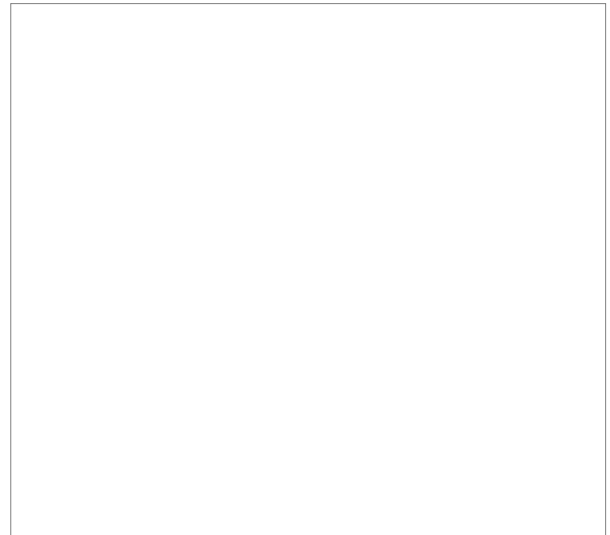
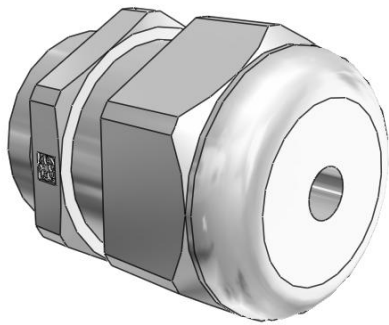


Product Description





Technical Data

| | |
|----------|------------|
| ATN | 53111340 |
| M | M 32x1,5 |
| FMIN | 7 |
| FMAX | 15 |
| F | 7 |
| SW | 36 |
| A | 40.3 |
| C | 47 |
| D | 10 |
| RAL7001 | |
| RAL7035 | |
| RAL9005 | X |
| MATERIAL | Kunststoff |