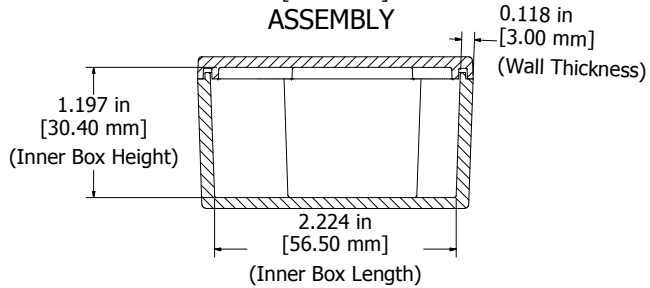
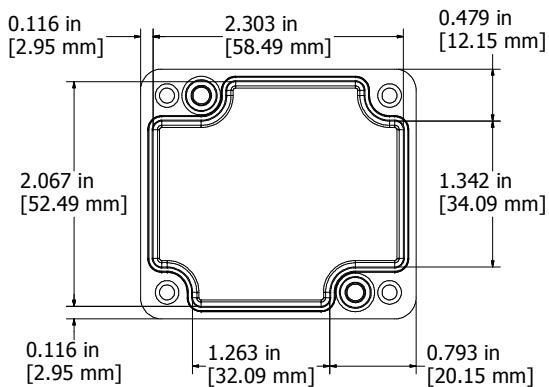


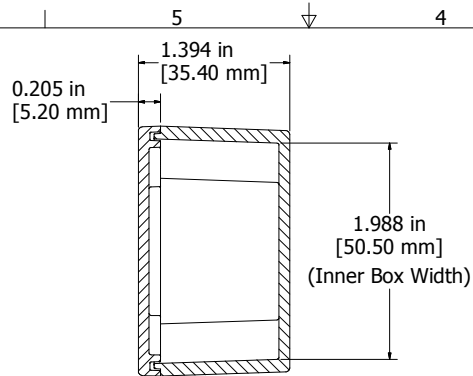
ASSEMBLY



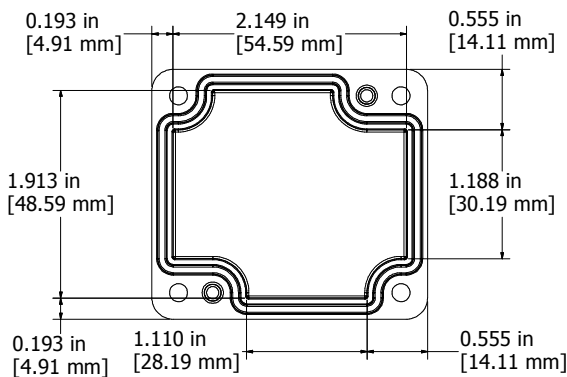
SECTION G-G
Side View of Assembly



Top View Looking Inside Box



SECTION H-H
End View of Assembly



View Looking Inside Lid

Enclosures can be Factory Modified (Milling, Drilling, Printing etc.)
Contact Factory mjm@hammondmfg.com for quotes
Solid models of this enclosure available in STEP or IGES.

NOTES	
Purchased assembly includes enclosure, M4x20 lid screws	
Gasket - Pre-formed Silicone Rubber	
Cover screws should be torqued to 5-7.5 lbf.in (50-75 cN.m)	

1550Z104	
PART NUMBERS	
Unfinished	1550Z104
Black Textured Powder Paint - RAL 9011	1550Z104BK

